

POSEIDON 7

Model:

POSEIDON 7-29

POSEIDON 7-52

POSEIDON 7-59

POSEIDON 7-66

POSEIDON 7-66 F/B



Part List US-English

27-02-2012

Nilfisk
ALTO
works for you

www.nilfisk-alto.com

Table of Contents

POSEIDON 7

Cabinet	3
Frame	5
Motor	7
Pump (A)	10
Pump (B)	13
Foam injector	15
Water break tank	17
Pressure and volume regulation	19
Electric box (A)	21
Electric box (B)	23
Hose reel POSEIDON 7	26
Default accessories	28
Recommended spare parts	30

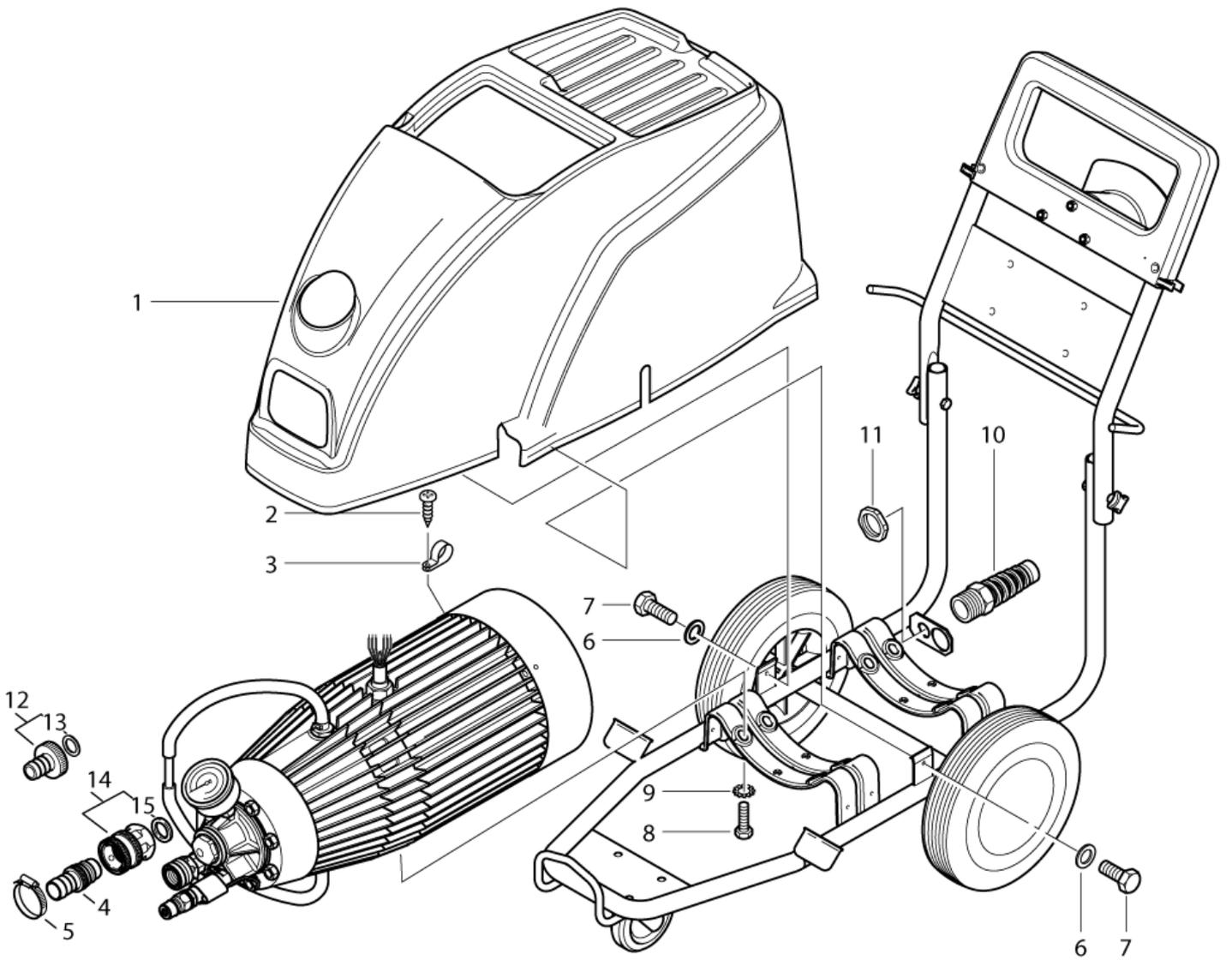
Cabinet

POSEIDON 7

27-02-2012

Part List ID
POSEIDON701

3



Cabinet

POSEIDON 7

27-02-2012

Part List ID
POSEIDON701

4

Pos	Part no.	Qty	Description	EAN
1	301000258	1	COVER POSEIDON 7	4005337671
2	1803956	1	TAPTITE SCREW M4X12 DIN7500 D	5701715028
3	4887	1	FASTENING CLIP 13/15	4005337048
3	8295	1	FASTENING CLIP 15/18	7-52, 7-66*JP* 4005337082
4	1600659	1	LP NIPPLE F. Q.-COUPLING 3/4IN	*GB*JP* 5701715023
4	1605955	1	NIPPLE F. QUICK COUPLING L.P	7-52, 7-66*US*CA* 5701715026
5	8298	1	HOSE CLIP 16-27	4005337082
6	14805	2	WASHER 6.4X1.6	7-52SS, 7-66SS, 7-66F, 7-66FB 4005337148
6	1814617	2	WASHER 6X15X1.6	5701715296
7	24355	2	SCREW M6X16	7-52SS, 7-66SS, 7-66F, 7-66FB 4005337243
7	6200145	2	SCREW	7-29, 7-52, 7-59, 7-66 5701715079
8	1802651	4	SCREW M10X20	5701715028
9	10204	4	SERRATED LOCK WASHER A10	4005337102
10	909100016	1	ABLE SCREWING W. ANTIBUC.	7-52, 7-52SS, 7-66*JP*CA*US* 4005337016
10	909100043	1	CABLE SCREWING W. ANTIBUC. M20X1.5	4005337679
11	909100019	1	HEXAGON THIN NUT M20X1.5 EN 50262 PA	4005337016
11	909100021	1	HEXAGON NUT M32X1.5	7-52, 7-52SS, 7-66*JP*CA*US* 4005337017
12	61369	1	HOSE NOZZLE 20R3/4	*EXP*EU*DK*BE*NO* 01.02.2005=> 4005337613
13	46487	1	PACKING RING 21X29X2.5	*EXP*EU*DK*BE*NO* 01.02.2005=> 4005337464
14	1602945	1	QUICK COUPLING 3/4 W/GASKET	* SEE NOTE 5701715024
15	3001237	1	GASKET 24.5X 16X3	* SEE NOTE 5701715037

* NOTE: *GB*US*JP* *EXP*EU*DK*BE*NO* =>31.01.2005|

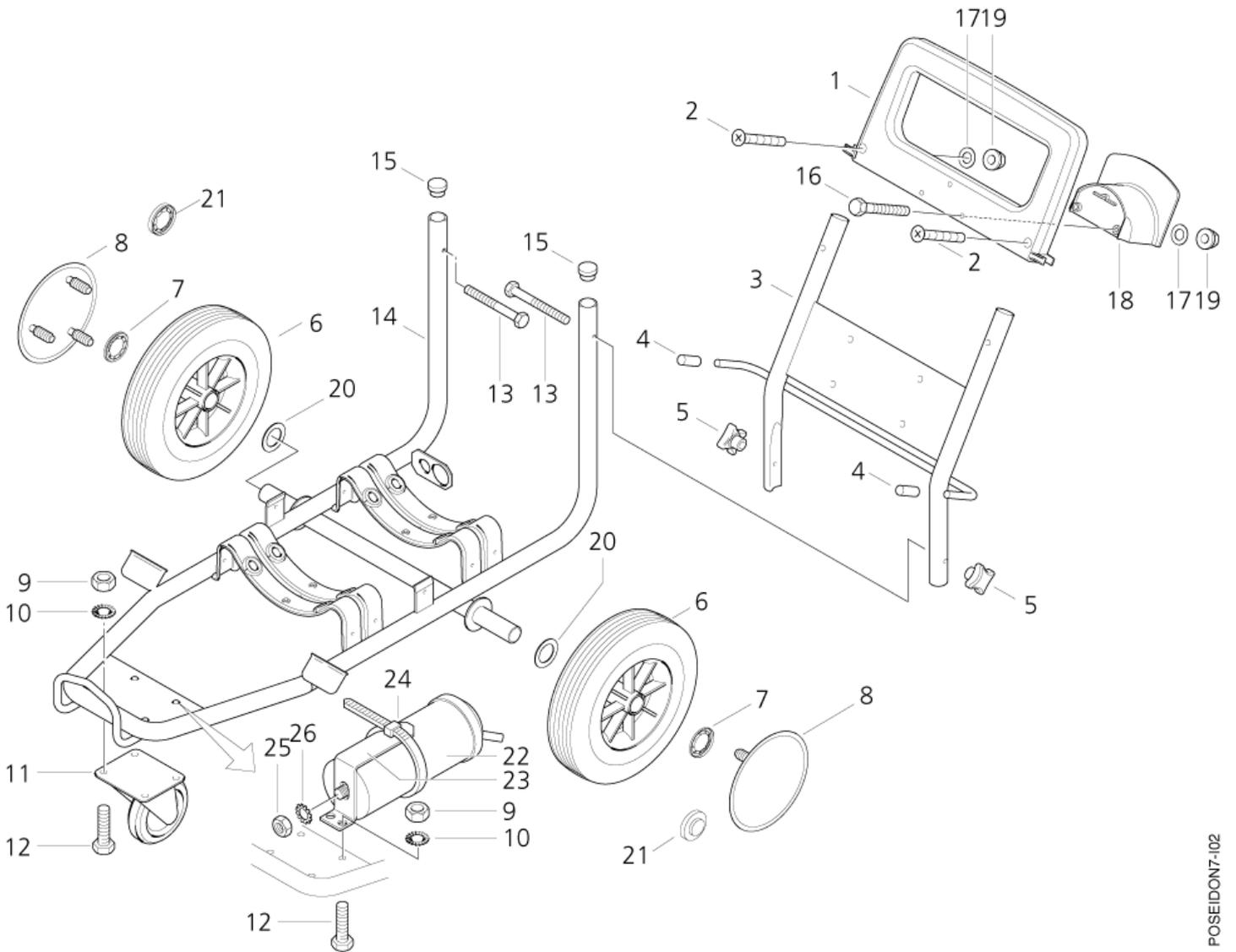
Frame

POSEIDON 7

27-02-2012

Part List ID
POSEIDON702

5



POSEIDON7-102

Frame POSEIDON 7

27-02-2012

Part List ID
POSEIDON702

6

Pos	Part no.	Qty	Description	EAN
1	48646	1	HANDLE	4005337486
2	17737	2	SCREW M6X40 ISO 7046	4005337177
3	301000182	1	BOW	7-29, 7-52, 7-59, 7-66 4005337671
3	301000376	1	HANDLEBOW STAINLESS	7-52SS, 7-66SS, 7-66F, 7-66FB 4005337680
4	1022	2	CAP 10/20	4005337010
5	909100169	2	PALM GRIP M6	4005337039
6	2010908	2	WHEEL	7-66F, 7-66FB 5701715031
6	301000989	2	WHEEL D250X75	* SEE NOTE 4005337027
6	46362	2	WHEEL D250X50	7-29, 7-52, 7-59, 7-66 =>04.04.2004 4005337463
7	1813799	2	SPRING PLATE WASHER	7-29, 7-52, 7-59, 7-66 05.04.2004=> 5701715031
7	1814136	2	CLAMPING RING D25	7-52SS, 7-66SS, 7-66F, 7-66FB
7	46363	2	CLAMPING RING D25	7-29, 7-52, 7-59, 7-66 =>04.04.2004 4005337463
8	301001076	2	WHEEL CAP D180	* SEE NOTE 4005337031
8	44660	2	CAP	7-29, 7-52, 7-59, 7-66 =>04.04.2004 4005337446
9	20908	4	HEXAGON NUT M8	7-52SS, 7-66SS, 7-66F, 7-66FB 4005337209
9	2758	4	HEXAGON NUT M8	7-29, 7-52, 7-59, 7-66 4005337027
10	14648	4	WASHER 8.4X1.6	7-52SS, 7-66SS, 7-66F, 7-66FB 4005337146
10	2803	4	WASHER A 8.2 DIN6797 ZN FORM J	7-29, 7-52, 7-59, 7-66 4005337028
11	2010916	1	WHEEL TURNABLE W. BRAKE 03KR	7-66F, 7-66FB 5701715031
11	46361	1	CASTER D100X30 BRAKE	4005337463
12	19810	4	SCREW M8X16	7-52SS, 7-66SS, 7-66F, 7-66FB 4005337198
12	6557	4	SCREW M8X16	7-29, 7-52, 7-59, 7-66 4005337065
13	909100042	2	SCREW M6X55	7-29, 7-52, 7-59, 7-66 4005337679
13	909100072	2	SCREW M6X55	7-52SS, 7-66SS, 7-66F, 7-66FB 4005337679
14	301000177	1	BASE FRAME	7-29, 7-52, 7-59, 7-66 4005337671
14	301000338	1	BASE FRAME POSEIDON	7-52SS, 7-66SS, 7-66F, 7-66FB 4005337672
15	58406	2	PLUG D26/20X13.5 BLACK	4005337584
16	1814634	3	SCREW M6X50 SS	5701715292
17	17849	3	WASHER 6.4X1.6 ISO 7090	4005337178
18	43064	1	HOSE HOLDER SB STATION	4005337430
19	12496	3	HEXAGON NUT M6	7-29, 7-52, 7-59, 7-66 4005337172
19	17848	3	HEXAGON NUT M6	7-52SS, 7-66SS, 7-66F, 7-66FB 4005337178
20	301000381	2	WASHER	7-66F, 7-66FB 4005337680
21	6102614	2	HUP CAP COMPL. SS	7-66F, 7-66FB 5701715064
22	301000415	1	CAPACITOR 80MICRONFOR 420V	7-29, 7-52, 7-52SS=2x 4005337680
23	301000391	1	BRACKET 122X73X30	7-29, 7-52=2x 4005337680
23	301001661	2	BRACKET 3X122X30X73	7-52SS US* 4005337058
24	8819	1	CABLE STRAP 4.5X1X350	7-29, 7-52, 7-52SS=2x 4005337088
25	1810068	2	NUT M12	7-52SS 5701715030
25	2761	1	HEXAGON NUT M12	7-29, 7-52=2x 4005337027
26	8954	1	SERRATED LOCK WASHER 12	7-29, 7-52=2x 4005337089
26	909100351	2	SERRATED LOCK WASHER Ø13	7-52SS 4005337058

* NOTE: 7-29, 7-52, 7-52SS, 7-59, 7-66, 7-66SS |05.04.2004=>

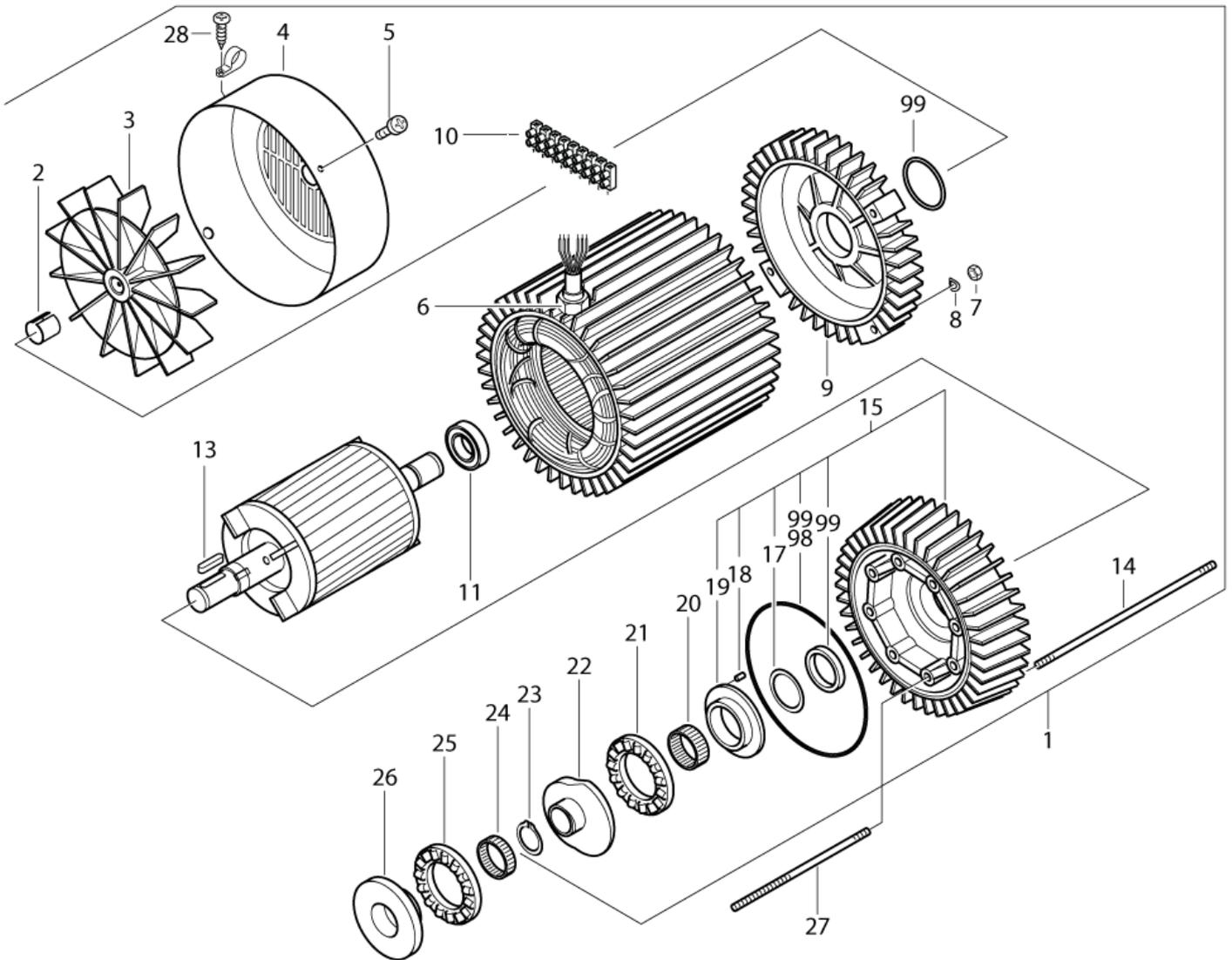
Motor

POSEIDON 7

27-02-2012

Part List ID
POSEIDON705

7



Motor POSEIDON 7

27-02-2012

Part List ID
POSEIDON705

8

Pos	Part no.	Qty	Description		EAN
0	107120000	1	MOTOR PUMP UNIT 400-230/3/50.60 POSEIDON	400-230/3/ 50,60Hz	4005337104
0	107120010	1	PUMP UNIT F-SL 400-230/3/50/60 POSEIDON	400-230/3/ 50,60Hz, F,FB	4005337134
1	107120750	1	MOTOR 6.5KW 400 415 230 3 50	7-66*EU*BE*NO*DK*,7-66F, 7-66FB, DISC NO.12	5701715296
1	107120751	1	MOTOR 6.5KW 440 220 3 60	7-66*US*EXP*, 7-66SS, DISC NO. 6	5701715296
1	107120752	1	MOTOR 6.5KW 200 3 50	7-66*JP,50HZ*, DISC NO. 12	5701715296
1	107120753	1	MOTOR 6.5KW 200 3 60	7-66*JP,60HZ*, DISC NO. 6	5701715296
1	107120754	1	MOTOR 6.5KW 575 3 60	7-66*CA*,WITH WOBBLE DISC NO. 6	5701715296
1	107120755	1	MOTOR 5.5KW 400 415.230 3 50	7-59, WITH WOBBLE DISC NO. 11	5701715296
1	107120757	1	MOTOR 5.0KW 208 230 1 60	7-52, 7-52SS,WITH WOBBLE DISC NO. 4	5701715296
1	107120758	1	MOTOR 2.1KW 230 1 50	7-29,WITH WOBBLE DISC NO. 1	5701715414
2	1802503	1	LOCK RING FAN WHEEL		5701715013
3	6100605	1	FAN		5701715005
4	6100609	1	COVER F. FAN		5701715063
5	101814693	2	SCREW M4X 8 EE DIN 7500 A2		5701715326
6	107302152	1	BUSH G1 AG/G3/4		5701715327
7	1803725	4	HEXAGON NUT M8		5701715028
8	1801182	4	SPRING WASHER M8		5701715027
9	107140617	1	REAR BEARING COVER	From week 32/09 (EME)	5715492056
9	6100611	1	REAR BEARING COVER	Up to week 32/09 (ATB)	5701715063
10	101117839	1	TERMINAL PLUG AND TERMINAL PINS		4005337179
11	3200623	1	REAR BEARING		5701715039
13	3200672	1	TONGUE 6X6X32 A DIN 6885 ST		5701715039
14	6100711	4	STAY BOLT L261MM	7-29, 7-59	5701715063
14	6100712	4	STAY BOLT L306MM	7-52, 7-52SS, 7-66, 7-66F, 7-66FB,7-66SS	5701715063
15	107140615	1	FRONT BEARING COVER COMPLETE	From week 32/09 (EME) - TSB-PPW-2011-013 C3 Pump i	
15	6101750	1	FRONT BEARING COVER COMP.	Up to week 32/09 (ATB) - TSB-PPW-2011-013 C3 Pump	5701715064
17	6100995	1	WASHER		5701715063
18	6100996	1	GUIDE PIN		5701715063
19	107120703	1	BEARING TRACK		5701715296
20	3200656	1	NEEDLE BEARING INA K 40X46X17		5701715039
21	3200615	1	AXIAL ROLLER BEARING		5701715039
22	107120705	1	WOBBLE DISC 1	7-29	5701715295
22	107120708	1	WOBBLE DISC 4	7-52, 7-52SS	5701715295
22	107120710	1	WOBBLE DISC 6	7-66*EXP*US*JP,60HZ*,7-66SS	5701715295
22	107120715	1	WOBBLE DISC 11	7-59	5701715295
22	107120716	1	WOBBLE DISC 12	7-66*EU*BE*NO*DK*JP,50HZ*, 7-66F, 7-66FB	5701715295
23	1802511	1	CIRCLIP 28X1.5 DIN471A		5701715027
24	3200664	1	NEEDLE BEARING		5701715039
25	3200615	1	AXIAL ROLLER BEARING		5701715039
26	107120704	1	BEARING TRACK		5701715296
27	6301368	8	STUDS		5701715092
28	1803956	1	TAPTITE SCREW M4X12 DIN7500 D		5701715028

Motor

POSEIDON 7

27-02-2012

Part List ID
POSEIDON705

9

Pos	Part no.	Qty	Description	EAN
98	1119820	1	OIL SEAL 03/C3 REP.KIT	5701715115
99	1119570	1	GASKETS C3 REP.KIT	5701715020

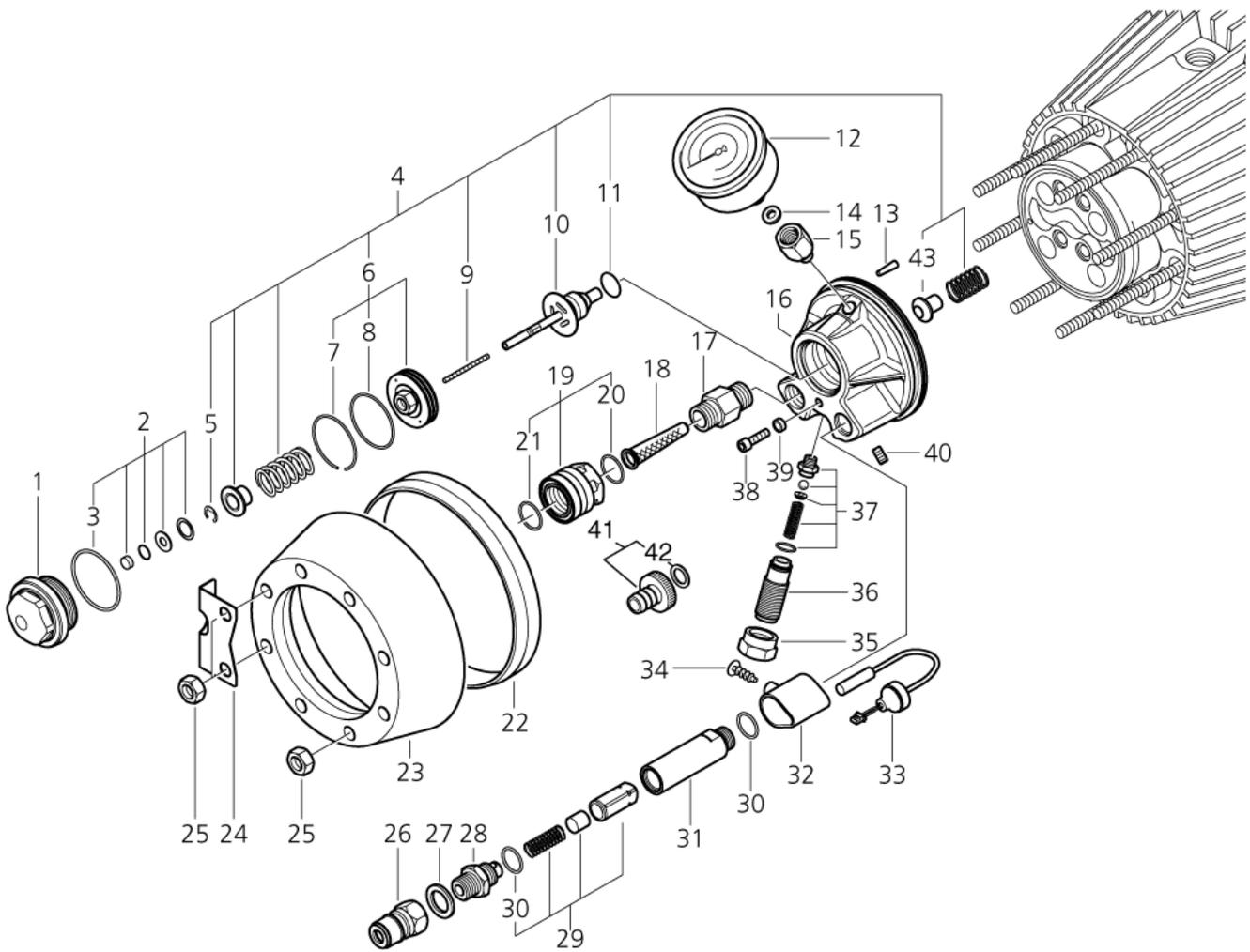
Pump (A)

POSEIDON 7

27-02-2012

Part List ID
POSEIDON703

10



Pump (A)

POSEIDON 7

27-02-2012

Part List ID
POSEIDON703

11

Pos	Part no.	Qty	Description		EAN
1	107120500	1	PLUG G1 1/4 54X35		5701715296
2	101119410	1	REP. KIT GASKETS		5701715296
3	3001179	1	O-RING 39.6X2.4 NITRIL 70 SH		5701715037
4	101119413	1	REPKIT BY-PASS VALVE UK	7-29	5701715330
4	1118580	1	REP.KIT BY-PASS VALVE AUTO S/S		5701715019
5	6101069	1	SAFETY DISK		5701715063
6	107120567	1	PISTON F BY-PASS VALVE	7-29	5701715334
6	6100925	1	PISTON F. BY-PASS VALVE		5701715063
7	6101061	1	PISTONRING		5701715063
8	3001716	1	O-RING 35.1x1.6 SMS 1586 NBR70		5701715038
9	2600286	1	SPRING DM-2.9		5701715035
10	6400143	1	VALVE CONE		5701715097
11	6441	1	O-RING 11.0x2.0 DIN 3770 NBR70		4005337064
12	3601262	1	PRESSURE GAUGE 0-300 BAR		5701715040
13	6100996	1	GUIDE PIN		5701715063
14	1602127	1	RING FOR PRESSURE GAUGE		5701715024
15	107120603	1	NIPPLE FOR PRESSURE GAUGE		5701715296
16	6101042	1	VALVE COVER		5701715063
17	107120600	1	FILTER HOUSING POSEIDON		5701715296
18	6100941	1	FILTER L 7CM		5701715000
19	1602945	1	QUICK COUPLING 3/4 W/GASKET	*GB*US*JP* *EXP*EU*DK*BE*NO* =>31.01.2005	5701715024
20	3001237	1	GASKET 24.5X 16X3	*GB*US*JP* *EXP*EU*DK*BE*NO* =>31.01.2005	5701715037
21	3000320	1	O-RING 20X3 NITRIL	*GB*US*JP* *EXP*EU*DK*BE*NO* =>31.01.2005	5701715037
22	6301392	1	RING FOR MOTOR-PUMP		5701715092
23	6100602	1	RETAINING RING		5701715008
24	107120609	1	BRACKET OIL-HOSE		5701715296
25	4826	8	HEXAGON NUT M10		4005337048
26	1600493	1	NIPPLE F. Q-COUPL. 3/8IN HP	7-29, 7-52, 7-59, 7-66	5701715023
26	1603101	1	NIPPLE F/QUICK COULING 3/8 SS	7-52SS, 7-66SS, 7-66F, 7-66FB	5701715024
27	1801075	1	PACKING RING 23.8X 17.2		5701715027
28	107120504	1	PLUG FOR FLOWSWITCH		5701715296
29	101119411	1	REP.KIT PISTON		5701715296
30	3000064	2	O-RING 14.1X1.6 NITRIL 70SH		5701715037
31	107120501	1	FLOW SWITCH HOUSING		5701715296
32	62399	1	HOLDER FOR FLOW SENSOR		4005337623
33	103821821	1	REED SWITCH		5701715296
34	1814614	1	PT-SCREW K50X16 T20 WN1451 - A2		5701715208
35	6100928	1	LOCK NUT		5701715063
36	6100940	1	ADJUSTMENT SCREW		5701715063
37	1118512	1	SAFETY VALVE REP.KIT		5701715019
38	3913	1	SCREW M6X12		4005337039
39	6100985	1	LOCK WASHER		5701715063

Pump (A)

POSEIDON 7

27-02-2012

Part List ID
POSEIDON703

12

Pos	Part no.	Qty	Description		EAN
40	1602333	1	PLUG 1/8 INCH		5701715024
41	61369	1	HOSE NOZZLE 20R3/4	*EXP*EU*DK*BE*NO* 01.02.2005=>	4005337613
42	46487	1	PACKING RING 21X29X2.5	*EXP*EU*DK*BE*NO* 01.02.2005=>	4005337464
43	6100915	1	VALVE CONE F. RETURNVALVE		5701715063

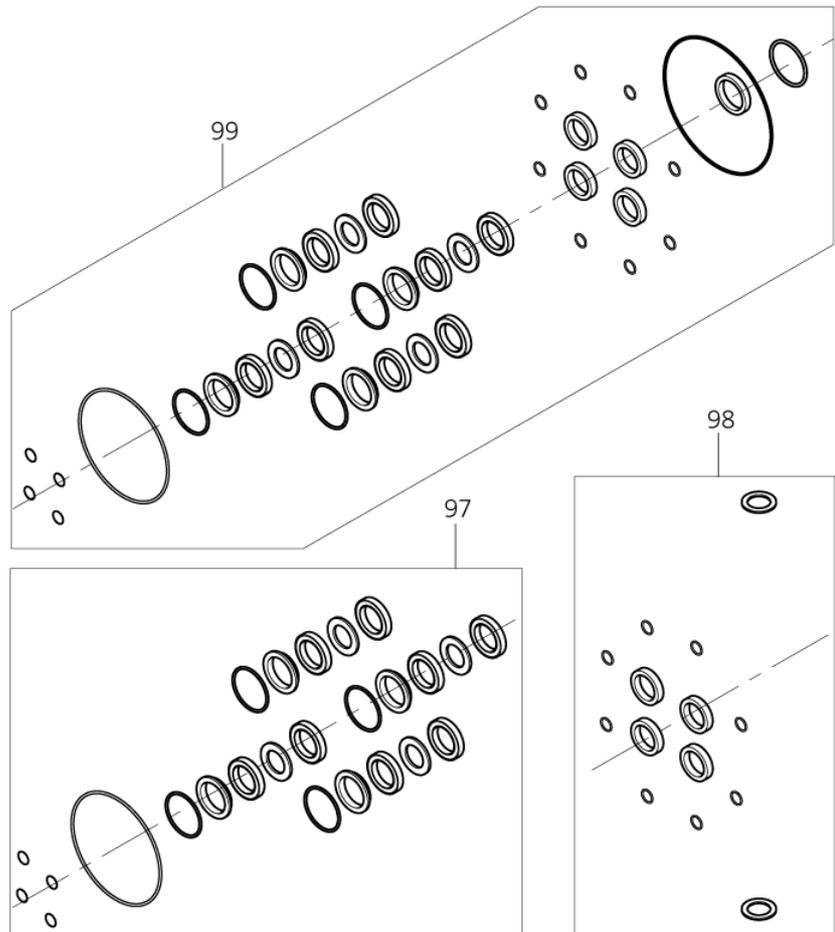
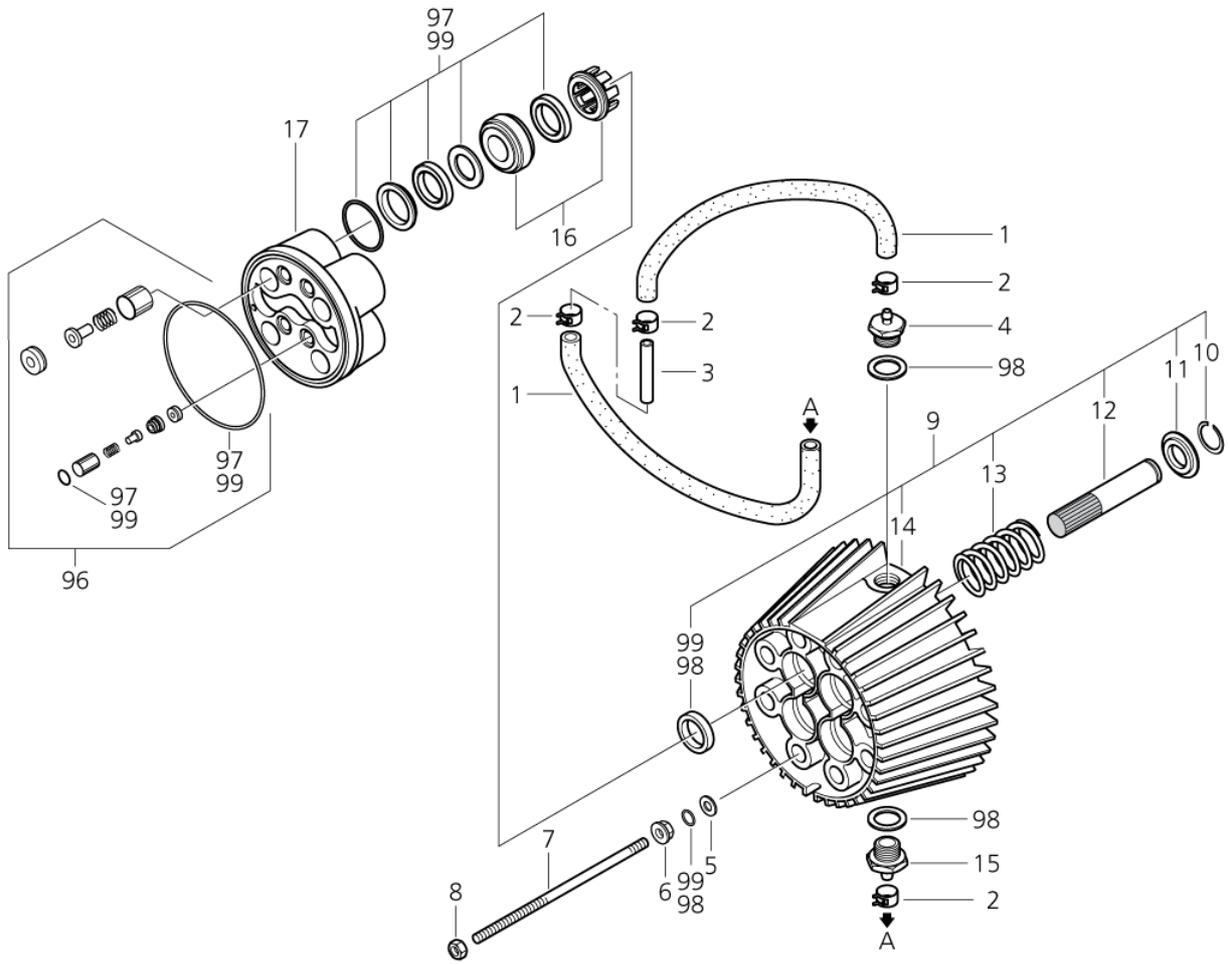
Pump (B)

POSEIDON 7

27-02-2012

Part List ID
POSEIDON704

13



Pump (B)

POSEIDON 7

27-02-2012

Part List ID
POSEIDON704

14

Pos	Part no.	Qty	Description		EAN
-	5218433	1	PUMP OIL 150 1X1L	0,5l	5701715046
1	5226220	1	HOSE D6X2.5	* SEE NOTE	5701715208
2	1814679	4	HOSE CLIP R12		5701715338
3	102406545	1	CONNECTING PIECE		5701715296
4	107120313	1	SOCKET FOR OILHOSE		5701715296
5	6100718	8	WASHER 10X16X1		5701715063
6	6100719	8	THRUST COLLAR		5701715063
7	6301368	8	STUDS		5701715092
8	4826	8	HEXAGON NUT M10		4005337048
9	6300071	1	CYLINDER BLOCK COMP.		5701715088
10	1802529	4	CIRCLIP		5701715027
11	6100666	4	RING F. RETURN SPRING		5701715008
12	6301166	4	CERAMIC PISTON C3		5701715091
13	102602517	4	RETURN SPRING C3		5701715317
14	6100610	1	CYLINDER BLOCK		5701715063
15	107120314	1	HOSE-TAIL D6 R3/8IN POSEIDON CUZN		5701715296
16	107120700	4	THRUST COLLAR BACK-UP RING		5701715296
17	107120701	1	CYLINDER HEAD		5701715418
96	101119848	1	VALVE KIT INLET/OUTLET	ONLY FOR UK - FOR CLORINE	5701715352
96	1119195	1	REP.KIT F. VALVE SYSTEM		5701715019
96	1119310	1	VALVE SET 4X O2/A2/O3	7-29	5701715020
97	1119571	1	GASKETS REDUCED REP.KIT		5701715020
98	1119820	1	OIL SEAL 03/C3 REP.KIT		5701715115
99	1119570	1	GASKETS C3 REP.KIT		5701715020

* NOTE: PLEASE INDICATE LENGTHS IN METRES WHEN ORDERING

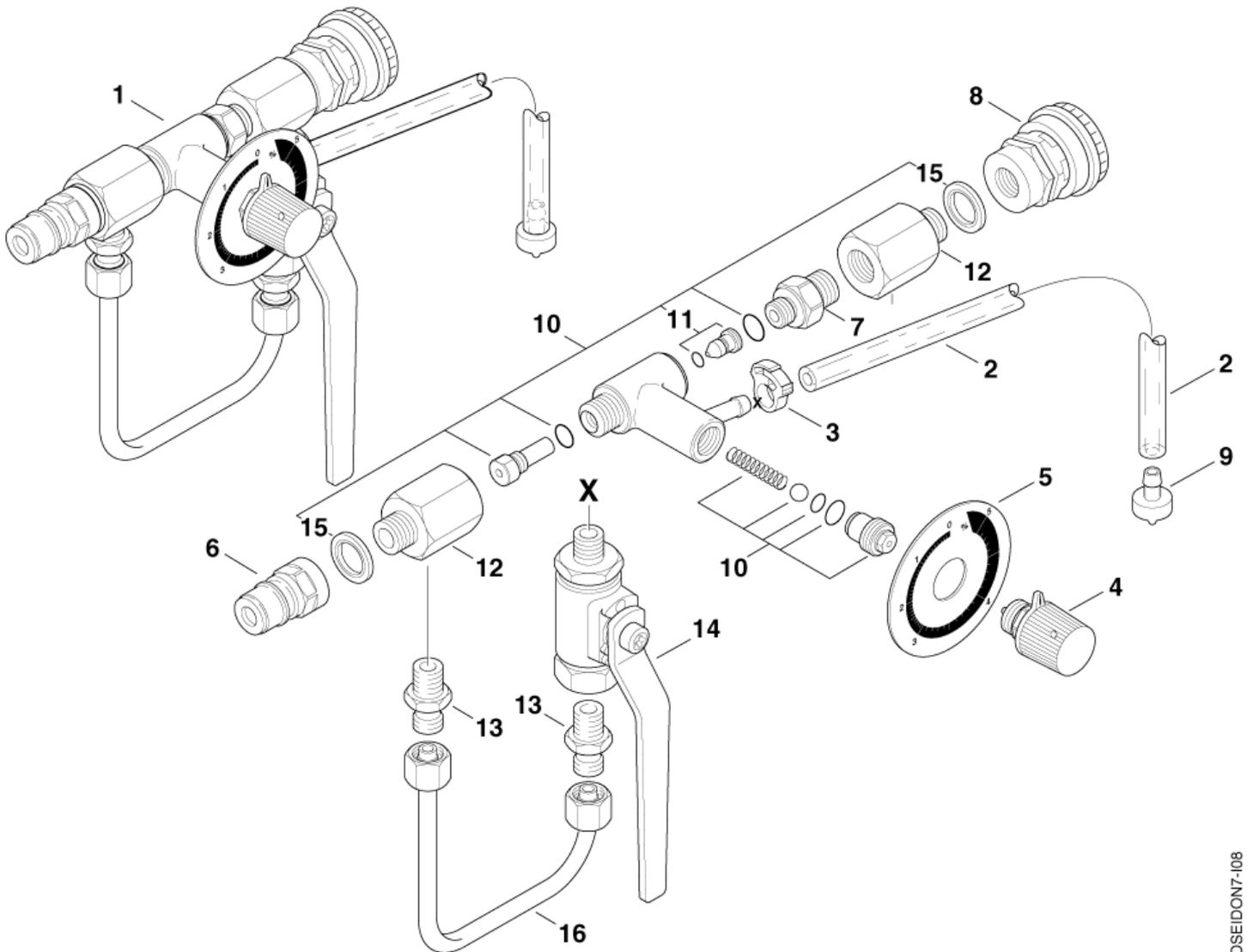
Foam injector

POSEIDON 7

27-02-2012

Part List ID
POSEIDON708

15



Foam injector

POSEIDON 7

27-02-2012

Part List ID
POSEIDON708

16

Pos	Part no.	Qty	Description		EAN
1	6401243	1	FOAM INJECTOR W BYPASS S. S	SS	5701715114
2	5206636	1	HOSE 6/10	* SEE NOTE	5701715046
3	1810084	1	HOSE CLIP 10.8/12.3		5701715007
4	6101778	1	DOSING SPINDLE		5701715064
5	6400363	1	DIAL PLATE		5701715097
6	1603101	1	NIPPLE F/QUICK COUPLING 3/8 SS		5701715024
7	6150675	1	SOCKET FOR QUICK COUPLING		5701715074
8	106402075	1	ERGO COUPLING FEMALE 3/8		5701715294
9	6400240	1	FILTER		5701715097
10	1119107	1	FOAM INJECTOR REP. KIT		5701715019
11	1119815	1	NOZZLE W. O-RING REP.KIT		5701715118
12	6401744	2	CONNECTING ADAPTER		5701715100
13	6401891	2	STRAIGHT THREADED CONNECTION	SS	5701715100
14	3401916	1	HYDROBALL VALVE 1/4IR-1/4UK SS		5701715040
15	1801075	2	PACKING RING 23.8X 17.2		5701715027
16	4841130	1	TUBE FOR BY-PASS COMP.		5701715046

* NOTE: PLEASE INDICATE LENGTHS IN METRES WHEN ORDERING

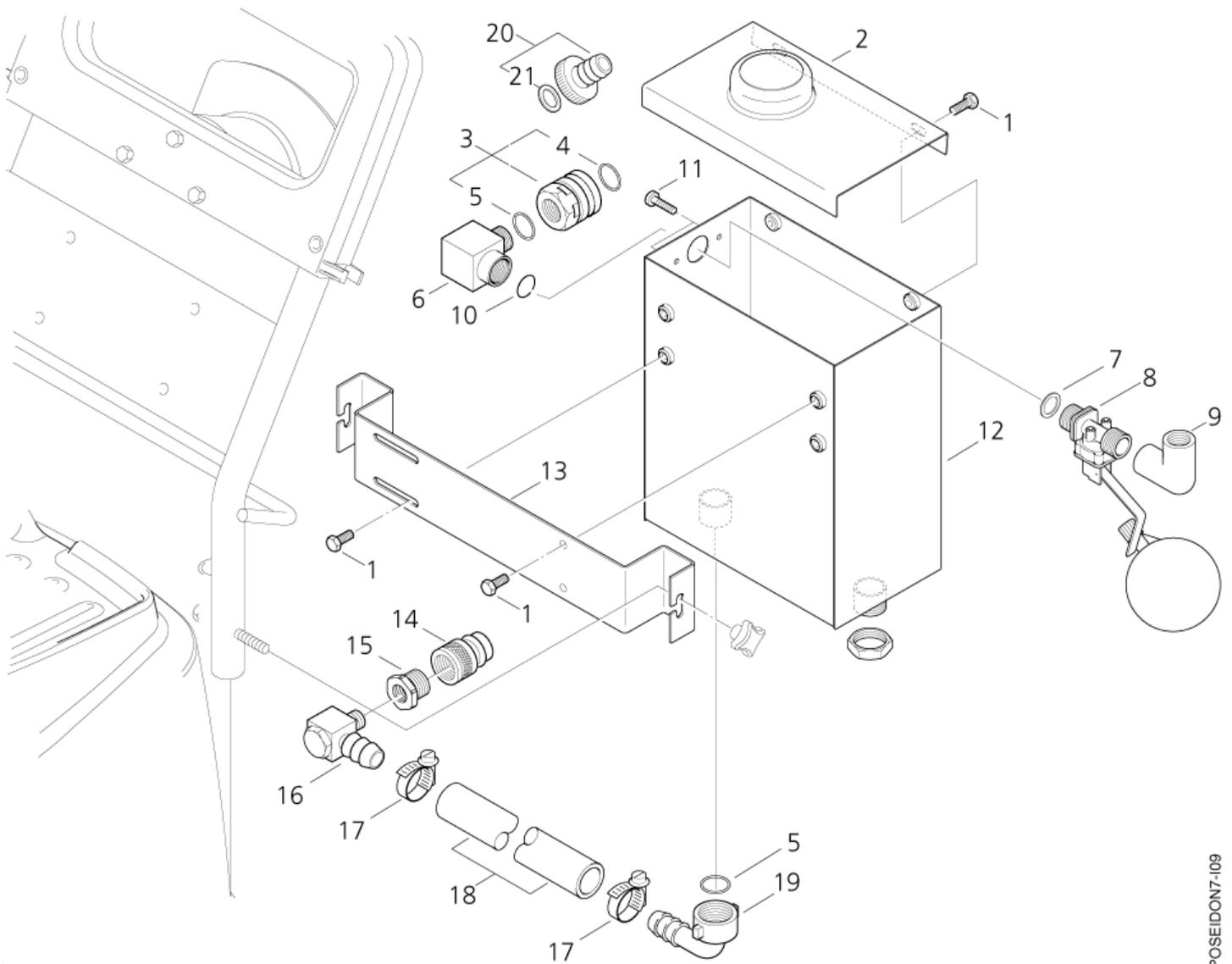
Water break tank

POSEIDON 7

27-02-2012

Part List ID
POSEIDON709

17



POSEIDON7-109

Water break tank

POSEIDON 7

27-02-2012

Part List ID
POSEIDON709

18

Pos	Part no.	Qty	Description		EAN
1	8917	2	SCREW M6X12	7-66FB	4005337089
2	6100183	1	COVER FOR FLOAT CHAMBER	7-66FB	5701715418
3	1602945	1	QUICK COUPLING 3/4 W/GASKET	7-66FB =>31.01.2005]	5701715024
4	3000320	1	O-RING 20X3 NITRIL	7-66FB =>31.01.2005]	5701715037
5	3001237	2	GASKET 24.5X 16X3	7-66FB	5701715037
6	101609351	1	ELBOW	7-66FB	5701715400
7	3001724	1	GASKET 20X26X1	7-66FB	5701715038
8	1117035	1	FLOAT VALVE	7-66FB	5701715018
9	1605971	1	90DG ANGLE	7-66FB	5701715026
10	3000684	1	O-RING 18.77X1.78 NITRIL 70SH	7-66FB	5701715037
11	1802891	2	SCREW M4X12	7-66FB	5701715015
12	6100164	1	FLOAT CHAMBER	7-66FB	5701715374
13	106100218	1	SUPPORT FOR WATER BREAK TANK	7-66FB	5701715334
14	1602796	1	QUICK COUPLING NIPPLE	7-66FB	5701715024
15	1603069	1	SOCKET 1/2-3/4	7-66FB	5701715024
16	6101752	1	ELBOW 16MM 1/2	7-66FB	5701715064
17	8289	2	FITTING XGR12/10L	7-66FB	4005337082
18	5206487	1	HOSE 5/8 INCH PVC	7-66FB - * SEE NOTE	5701715046
19	20600	1	HOSE NOZZLE Ø 13/R3/4	7-66FB	4005337206
20	61369	1	HOSE NOZZLE 20R3/4	7-66FB 01.02.2005=>	4005337613
21	46487	1	PACKING RING 21X29X2.5	7-66FB 01.02.2005=>	4005337464
99	106101612	1	WATER BREAK TANK POSEIDON 7	7-66FB	5701715295

* NOTE: PLEASE INDICATE LENGTHS IN METRES WHEN ORDERING

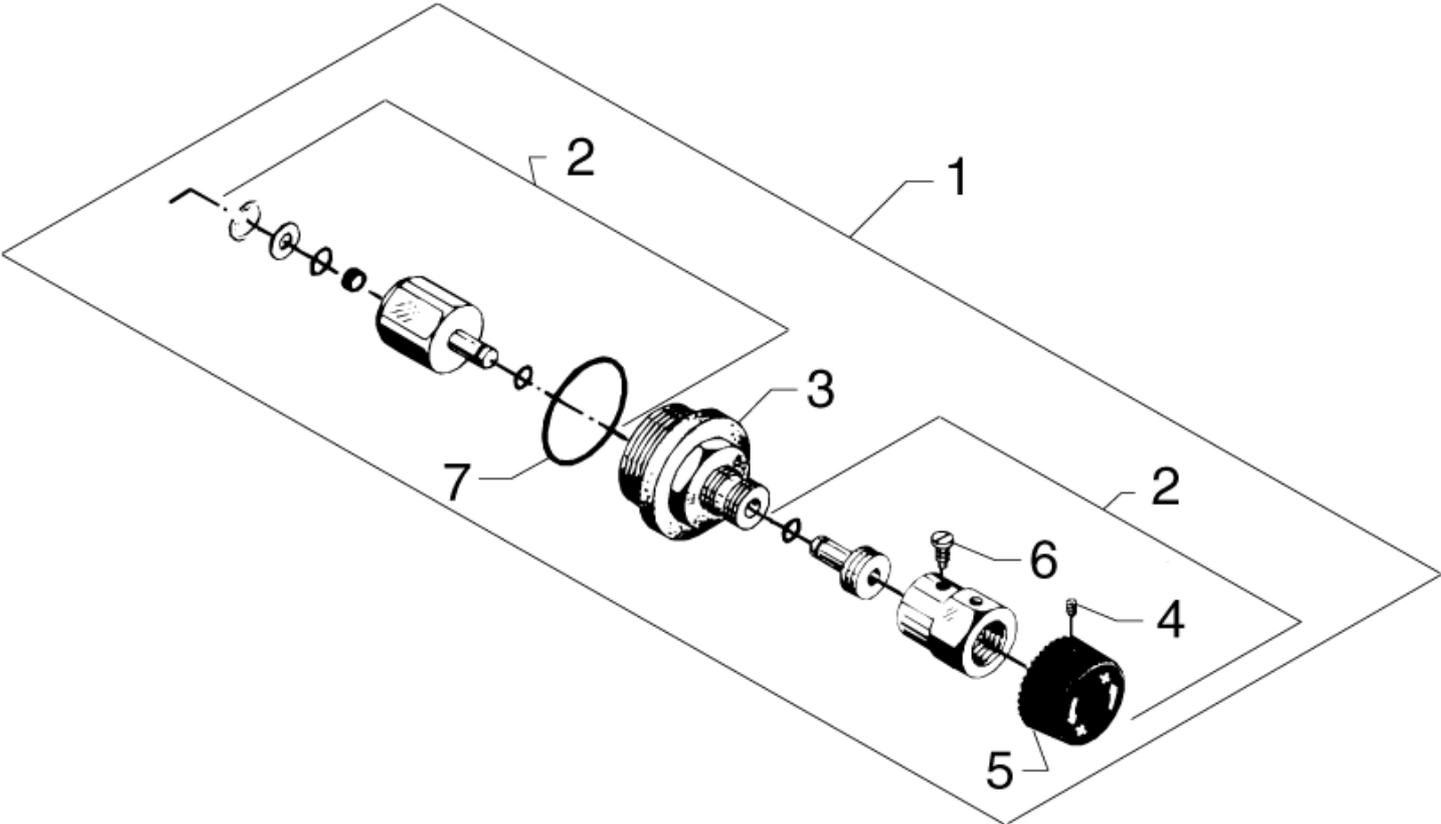
Pressure and volume regulation

POSEIDON 7

27-02-2012

Part List ID
POS7ACC01

19



Pressure and volume regulation

POSEIDON 7

27-02-2012

Part List ID
POS7ACC01

20

Pos	Part no.	Qty	Description	EAN
1	101119415	1	KIT REGULATOR F.WATER CAPACITY	5701715323
2	1118538	1	REP.KIT ADJUSTING VALVE	5701715019
3	6100984	1	BUSHING F.ADJUSTMENT SPINDLE	5701715063
4	1802602	1	CRA TER-POINT SCREW M4X6	5701715028
5	6100991	1	HANDLE 27	5701715063
6	6100980	1	SET SCREW F. ADJUSTMENT NUT	5701715063
7	3001179	1	O-RING 39.6X2.4 NITRIL 70 SH	5701715037
2A	1802610	1	SEEGER CIRCLIP 18 X 1.0 DIN472 X35CRMO	5701715028

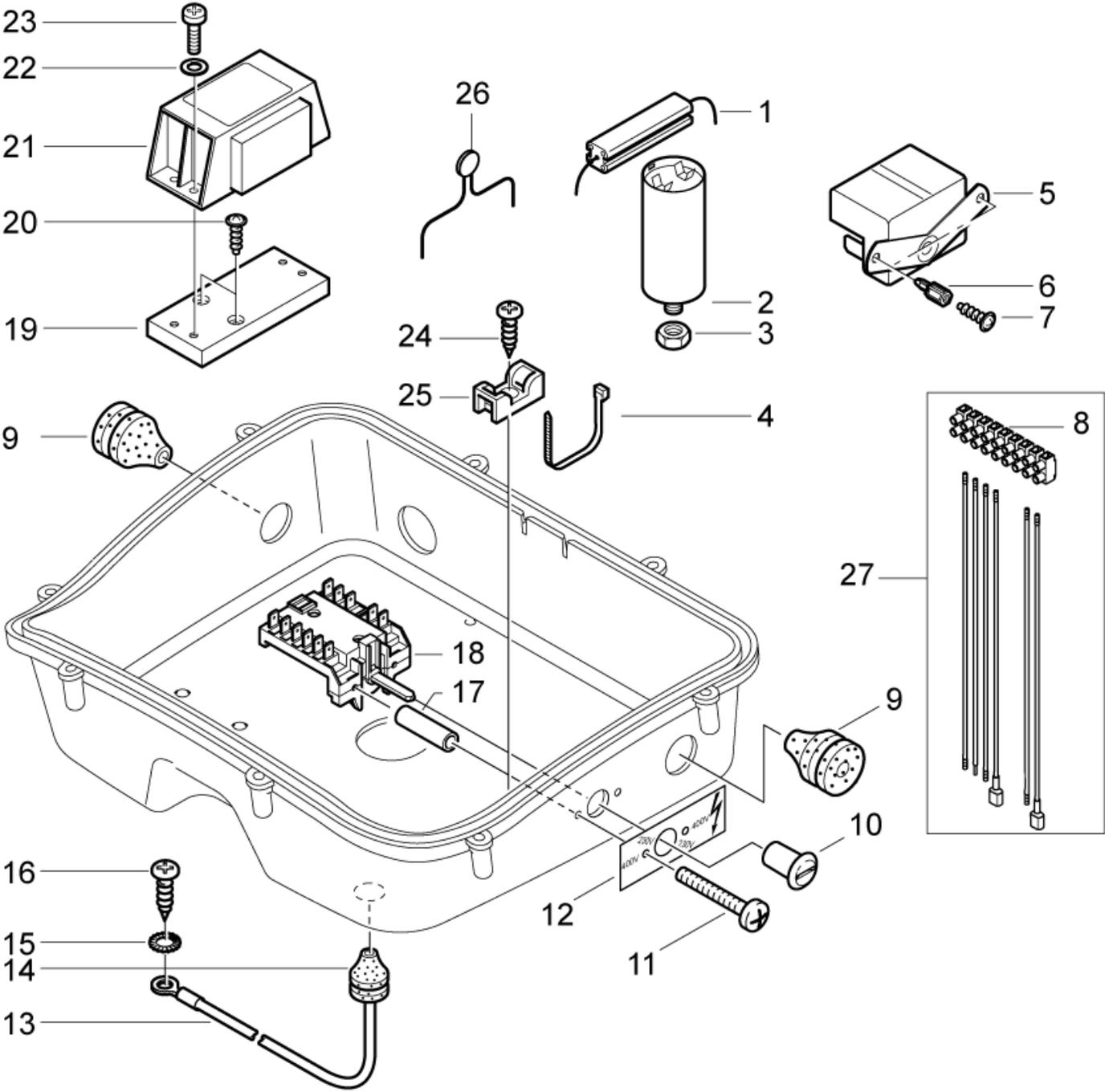
Electric box (A)

POSEIDON 7

27-02-2012

Part List ID
POSEIDON706

21



Electric box (A)

POSEIDON 7

27-02-2012

Part List ID
POSEIDON706

22

Pos	Part no.	Qty	Description		EAN
1	301000402	1	RESISTANCE 15KOHM7W	7-29	4005337680
2	301000403	1	STARTING CAPACITOR 98MICRONF 3	7-29	4005337680
3	61467	1	HEXAGON NUT M8	7-29	4005337614
4	4059	5	CABLE STRAP 3.6X1.1X110		4005337040
5	11060	1	STARTER RELAY 220V AC	7-29	4005337110
6	4600771	1	DISTANCE PIECE	7-29	5701715046
7	1813823	2	EJOT SCREW KB35X8 WN1411 ST/SW	7-29	5701715115
8	101117839	1	TERMINAL PLUG AND TERMINAL PINS		4005337179
9	3803764	2	RUBBER SEAL TET 5-7C	7-29, 7-52, 7-52SS	5701715007
10	64580	1	ROTARY KNOB	7-59*BE*NO*,7-66*BE*NO*EXP*US*, 7-66SS	4005337645
11	40045	2	PAN HEAD SCREW M4X30	7-59*BE*NO*,7-66*BE*NO*EXP*US*, 7-66SS	4005337400
12	64586	1	LABEL	7-59*BE*NO*, 7-66*BE*NO*	4005337645
12	64787	1	LABEL 220-440V CHANGE-OVER 74X28	7-66*EXP*US*, 7-66SS	4005337647
13	301000237	1	WIRE H05V-K 2.5X600 YELLOW GREEN		4005337671
14	3803764	1	RUBBER SEAL TET 5-7C		5701715007
15	4021	1	SERRATED LOCK WASHER A4		4005337040
16	1802586	1	FITTING SCREW M4X12		5701715028
17	64581	2	PIPE D10XD4X20 BLACK POM	7-59*BE*NO*,7-66*BE*NO*EXP*US*, 7-66SS	4005337645
18	301000293	1	SWITCH START/TRIANGLE 16	7-59*BE*NO*,7-66*BE*NO*EXP*US*, 7-66SS	4005337672
19	301000443	1	BASE FOR TRANSFORMER	7-66*CA*	4005337681
20	11356	2	EJOT SCREW KA40X14 WN1412 ST/ZN	7-66*CA*	4005337113
21	301000428	1	TRANSFORMER 500V-575V 23	500V-575V 230V/50VA, 7-66*CA*	4005337681
22	3092	4	WASHER 4.3X0.8	7-66*CA*	4005337030
23	1804814	4	SCREW M4X12	7-66*CA*	5701715029
24	909100046	1	SCREW 4X8		4005337679
25	1814621	1	BRACKET		
26	301002353	1	INRUSH CURRENT LIMITER 5 OHM / 5W	7-29	4005337083
27	101117843	1	MOTOR CABLE 8-WIRE 3 PH 1.5MM2	7-59 EU, DK - 7-66 EU, DK, CA	4005337184
27	101117844	1	MOTOR CABLE 8-WIRE 3 PH 2.5MM2	7-59 BE, NO - 7-66 BE, NO, EXP, US	4005337184
27	101117860	1	POSEIDON MOTOR CABLE 9-WIRE 3PH 2.5MM2	7-52, 7-66 JP	4005337185

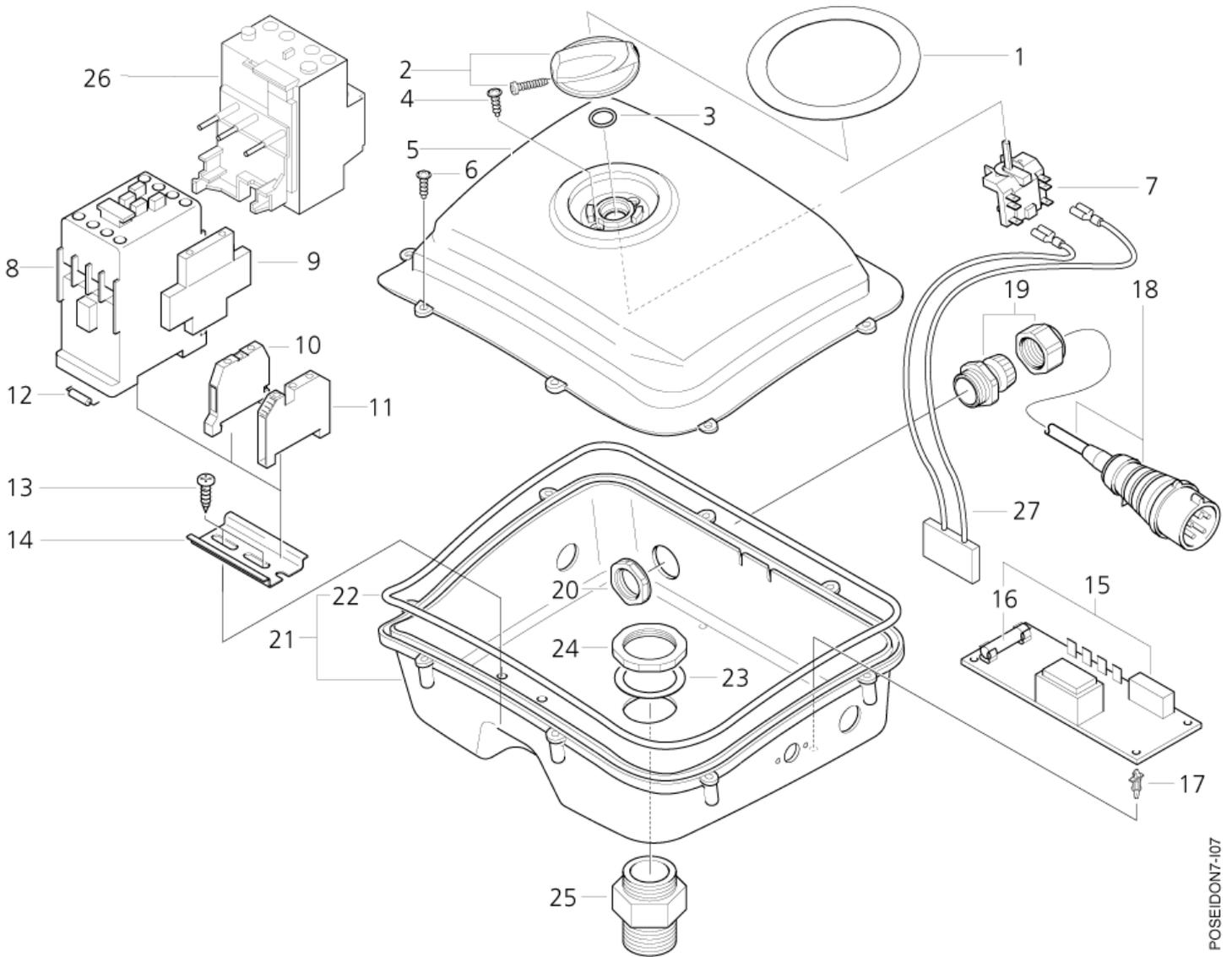
Electric box (B)

POSEIDON 7

27-02-2012

Part List ID
POSEIDON707

23



POSEIDON7-107

Electric box (B)

POSEIDON 7

27-02-2012

Part List ID
POSEIDON707

24

Pos	Part no.	Qty	Description		EAN
1	301000267	1	LABEL		4005337671
2	909100204	1	ROTARY KNOB 6X5 BLUE		4005337689
3	9868	1	O-RING 10.2X2.5 NBR 70		4005337098
4	18274	2	COUNTERSUNK SCREW M4X12		4005337182
5	301000189	1	SWITCH CASE HOUSING - UPPER PART		4005337671
6	16861	8	SCREW 4X20 WN1412		4005337168
7	28877	1	SWITCH		4005337288
8	103822303	1	CONTACTOR CJX2-1810 N7 400V	400/50-60, 7-59*EU*DK*, 7-66*EU*DK*, *** NOTE	4005337165
8	103822304	1	CONTACTOR CJX2-D18-P7 230V	230/50/60, 7-29, 7-66*CA*, *** NOTE	4005337178
8	103822314	1	CONTACTOR CJX2-D32-P7 230V	* SEE NOTE and *** NOTE	4005337178
8	103822315	1	CONTACTOR CJX2-D32-M7 220V	200/50-60, 7-52, 7-52SS, 7-63*JP*, *** NOTE	4005337165
8	63915	1	CONTACT 100-C30KF10 230	230-400/50 and 440-220/60	4005337639
9	101118041	1	ANDELI LA8-DN11 SIDE MOUNT AUX CONTACT	ANDELI	4005337185
9	64773	1	AUXILIARY CONTACT 100-SBL11	7-59*BE*NO*, 7-66*BE*NO*EXP*US*, 7-66SS	4005337647
10	14506	1	WIRE TERMINAL 10QMM	7-52, 7-52SS, 7-66*JP*US*	4005337145
10	3817483	1	TERMINAL STRIP EARTH. WK4 SL/U		5701715043
11	106408174	1	WIRE TERMINAL 10MM KIT	GREY 7-52, 7-52SS	4005337182
11	3807518	2	WIRE TERMINAL	7-29	5701715005
11	3821030	1	TERMINAL CLIP WK4/D 1/2U	7-59*EU*DK*, 7-66*EU*DK*	5701715044
12	301000074	1	RESISTOR 470 OHM 3W	7-59*BE*NO*, 7-66*BE*NO*EXP*US*, 7-66SS	4005337008
13	909100046	2	SCREW 4X8		4005337679
14	22290	1	MOU. RAIL TS35/F6 7.5 18X5.2 EN60715 ZN	** SEE NOTE	4005337222
15	301000181	1	ELECTRONIC CONTROL UNIT		4005337671
16	301000263	1	FUSE 0.63A/500AT Ø 6.	0,63A/500V/ T 16,3X32	4005337671
17	43884	4	BRACKET L12.7		4005337438
18	17565	1	POWER CORD H07RN-F 3G1.5X10	H07RN-F 3G1,5X10, 7-29	4005337175
18	301000253	1	POWER CORD H07RN-F 4G1.5	H07RN-F 4G1,5X9, *EU*DK*	4005337671
18	301000337	1	POWER CORD H07RN-F 4G2.5	H07RN-F 4G2,5X9, *BE*NO*EXP*	4005337672
18	301000380	1	POWER CORD VCT 4X5.5X9	VCT 4X5,5X9, 7-66*JP*	4005337680
18	301000384	1	POWER CORD SOW A WG10/4X9	SOW AWG10/4X9, 7-66*US*, 7-66SS*US*	4005337680
18	301000407	1	POWER CORD SJOW A WG10/3X9.0	SJOW AWG10/3X9, 7-52, 7-52SS	4005337680
19	64902	1	SCREWED CABLE GLAND METRIC M20X1.5	7-29, 7-59, 7-66*EU*BE*NO*DK*EXP*	4005337649
19	64904	1	SCREWED CABLE GLAND	7-52, 7-52SS, 7-66*JP*CA*US*, 7-66SS	4005337649
20	909100019	1	HEXAGON THIN NUT M20X1.5 EN 50262 PA	7-29, 7-59, 7-66*EU*BE*NO*DK*EXP*	4005337016
20	909100021	1	HEXAGON NUT M32X1.5	7-52, 7-52SS, 7-66*JP*CA*US*, 7-66SS	4005337017
21	301000188	1	SWITCH CASE HOUSING - UNDERPART		4005337671
22	101406054	1	SPONGE RUBBER 4 1M		5701715457
23	301000276	1	PACKING RING Ø 45X Ø 34X2		4005337672
24	20862	1	HEXAGON NUT R1 DIN 431 CUZN		4005337208
25	107120607	1	BUSHING G1 AG - G3/4 AG		5701715296
26	103822327	1	THERMAL RELAY 12-18AMP	*** NOTE	5701715472

* NOTE: 230/50-60, 7-59*BE*NO*, 7-66*BE*NO*US*EXP*, 7-66SS

** NOTE: PLEASE INDICATE LENGTHS IN METRES WHEN ORDERING

*** NOTE: See TSB-PPW-2010-002 New contactors and relays (2)

Electric box (B)

POSEIDON 7

27-02-2012

Part List ID
POSEIDON707

25

Pos	Part no.	Qty	Description		EAN
26	103822328	1	THERMAL RELAY 17-25AMP	*** NOTE	5701715472
26	103822329	1	THERMAL RELAY 23-32AMP	JP, *** NOTE	5701715472
27	301000235	1	WIRE RED LIYY 0.25X300 2-POL		4005337671

* NOTE: 230/50-60, 7-59*BE*NO*, 7-66*BE*NO*US*EXP*, 7-66SS

** NOTE: PLEASE INDICATE LENGTHS IN METRES WHEN ORDERING

*** NOTE: See TSB-PPW-2010-002 New contactors and relays (2)

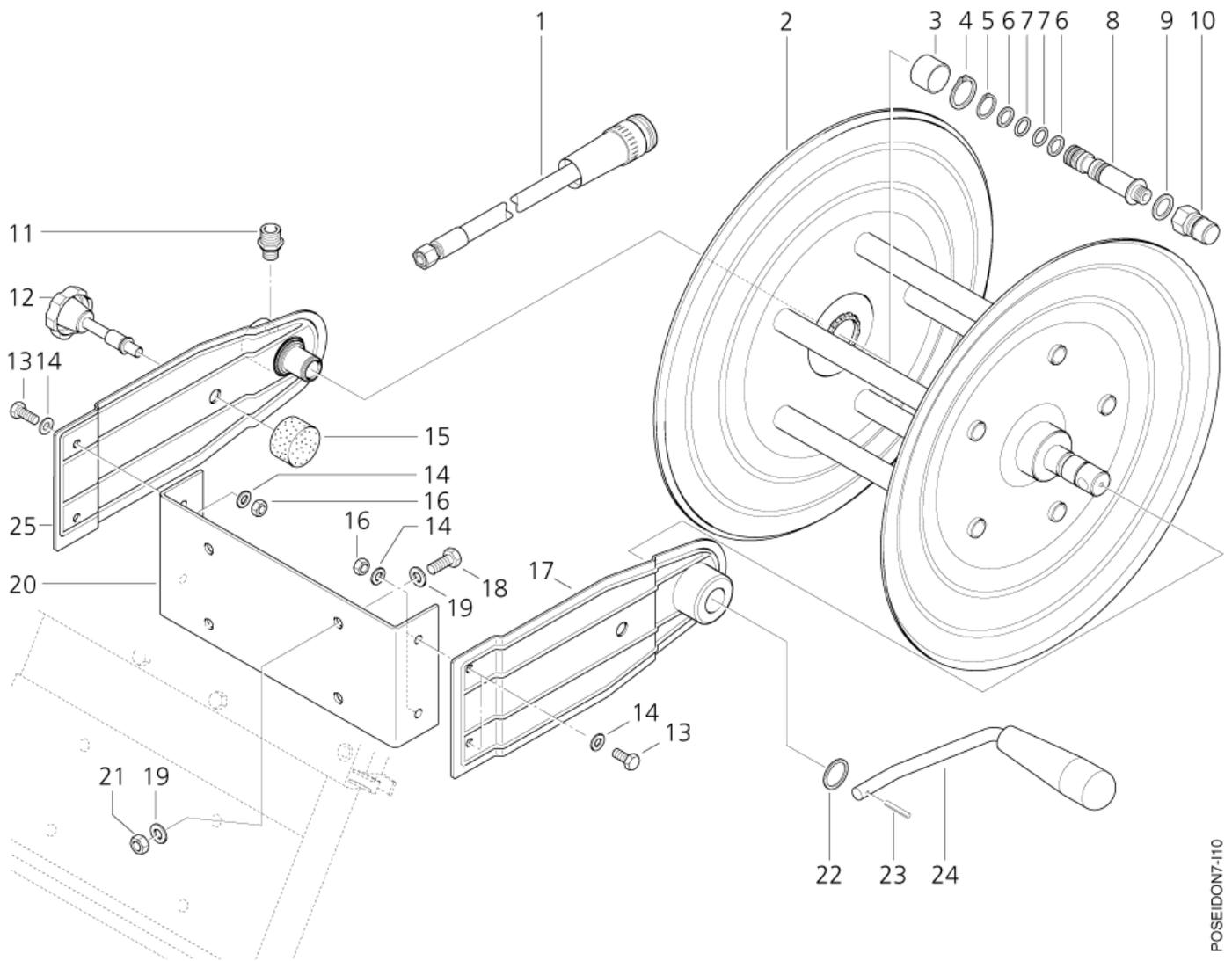
Hose reel POSEIDON 7

POSEIDON 7

27-02-2012

Part List ID
POSEIDON710

26



POSEIDON7-110

Hose reel POSEIDON 7

POSEIDON 7

27-02-2012

Part List ID
POSEIDON710

27

Pos	Part no.	Qty	Description	EAN
0	301000202	1	HOSE REEL POSEIDON 7/8 BLACK	4005337671
0	301000540	1	HOSE REEL POSEIDON 7/8 SS	5701715318
1	301000207	1	HP HOSE 1500MM	4005337671
2	29886	1	HOSE REEL Ø 350 black painted	4005337298
3	54400	1	BUSHING D28/D25X20	4005337544
4	16848	1	RETAINING RING 25X1.2	4005337168
5	49870	1	RETAINING RING 18X1.2	4005337498
6	19704	2	SUPPORTING RING Ø 13.5X18	4005337197
7	12778	2	O-RING 13.3x2.4 SMS 1586 NBR90	4005337127
8	301000320	1	HOSE CONNECTING 3/8 CUZN	4005337672
9	1801075	1	PACKING RING 23.8X 17.2	5701715027
10	1600493	1	NIPPLE F. Q-COUPL. 3/8IN HP	5701715023
11	54590	1	FITTING XGE12L 1/4NPT	4005337545
12	43286	1	STAR KNOB M8X55 DIN 6336 ST/ZN	4005337432
13	2754	4	HEX. SCREW M6X16 ISO 4017 ST 8.8/ZN	4005337027
14	2764	8	WASHER 6.4X1.6	4005337027
15	49872	1	BUFFER Ø 30X17	4005337498
16	11619	4	HEX NUT M6 WITH PLASTIC RING ISO7042 A2K	4005337116
17	49458	1	BRACKET	4005337494
18	2753	4	HEX. SCREW M8X20 ISO 4017 ZN	4005337027
19	2762	8	WASHER 8.4X1.6	4005337027
20	29889	1	BRACKET	4005337298
21	2758	4	HEXAGON NUT M8	4005337027
22	32524	1	RETAINING RING 20X1.2	4005337325
23	6130	1	TENSION-PIN M4X30 ISO 8752 ZN	4005337061
24	49788	1	CRANK	4005337497
25	301000197	1	BRACKET	4005337671

Default accessories

POSEIDON 7

27-02-2012

Part List ID
POS722

28

No Drawing For Part List

Default accessories

POSEIDON 7

27-02-2012

Part List ID
POS722

29

Pos	Part no.	Qty	Description		EAN
-	106403122	1	ERGO 2000 STANDARD W. HOSE SWIVEL		4005337168
-	106403123	1	ERGO 2000 VARIO PRESS W. HOSE SWIVEL		4005337168
0	6101766	1	10 M 2 WIRE HOSE 3/8IN DN10		5701715064
1	101119743	1	NOZZLE + INDICATION RING 0550	7-29	5701715324
1	101119745	1	NOZZLE 0640 INDICATION RING GREEN	7-59, 7-66	5701715324
1	106403010	1	TORNADO PLUS 1120 BEND W/O NOZZLE		4005337167
2	106402190	1	SPRAY HANDLE W. SWIVEL LOCK	Up to 2010	5701715325

Recommended spare parts

POSEIDON 7

27-02-2012

Part List ID
POSEIDON7REC

30

No Drawing For Part List

Recommended spare parts

POSEIDON 7

27-02-2012

Part List ID
POSEIDON7REC

31

Pos	Part no.	Qty	Description		EAN
	301001969	1	TOTAL CHECK P7		4005337069
	301001970	1	TOTAL CHECK P7		4005337069
	301002018	1	TOTAL CHECK P7-29		4005337071
	301002019	1	TOTAL CHECK P7-29		4005337071
A	101119411	1	REP.KIT PISTON	A	5701715296
A	101119848	1	VALVE KIT INLET/OUTLET	A	5701715352
A	103821821	1	REED SWITCH	A	5701715296
A	107120567	1	PISTON F BY-PASS VALVE	A	5701715334
A	1119195	1	REP.KIT F. VALVE SYSTEM	A	5701715019
A	1119310	1	VALVE SET 4X O2/A2/O3	A	5701715020
A	1119570	1	GASKETS C3 REP.KIT	A	5701715020
A	1119571	1	GASKETS REDUCED REP.KIT	A	5701715020
A	1119820	1	OIL SEAL 03/C3 REP.KIT	A	5701715115
A	6100925	1	PISTON F. BY-PASS VALVE	A	5701715063
A	6100941	1	FILTER L 7CM	A	5701715000
A	6101069	1	SAFETY DISK	A	5701715063
A	6400143	1	VALVE CONE	A	5701715097
B	1118512	1	SAFETY VALVE REP.KIT	B	5701715019
C	103822303	1	CONTACTOR CJX2-1810 N7 400V	C	4005337165
C	103822304	1	CONTACTOR CJX2-D18-P7 230V	C	4005337178
C	103822314	1	CONTACTOR CJX2-D32-P7 230V	C	4005337178
C	103822315	1	CONTACTOR CJX2-D32-M7 220V	C	4005337165
C	103822327	1	THERMAL RELAY 12-18AMP	C	5701715472
C	103822328	1	THERMAL RELAY 17-25AMP	C	5701715472
C	103822329	1	THERMAL RELAY 23-32AMP	C	5701715472
C	107120704	1	BEARING TRACK	C	5701715296
C	107120705	1	WOBBLE DISC 1	C	5701715295
C	107120708	1	WOBBLE DISC 4	C	5701715295
C	107120710	1	WOBBLE DISC 6	C	5701715295
C	107120715	1	WOBBLE DISC 11	C	5701715295
C	107120716	1	WOBBLE DISC 12	C	5701715295
C	107120750	1	MOTOR 6.5KW 400 415 230 3 50	C	5701715296
C	107120751	1	MOTOR 6.5KW 440 220 3 60	C	5701715296
C	107120752	1	MOTOR 6.5KW 200 3 50	C	5701715296
C	107120753	1	MOTOR 6.5KW 200 3 60	C	5701715296
C	107120754	1	MOTOR 6.5KW 575 3 60	C	5701715296
C	107120755	1	MOTOR 5.5KW 400 415.230 3 50	C	5701715296
C	107120757	1	MOTOR 5.0KW 208 230 1 60	C	5701715296
C	107120758	1	MOTOR 2.1KW 230 1 50	C	5701715414
C	107140615	1	FRONT BEARING COVER COMPLETE	C	
C	107140617	1	REAR BEARING COVER	C	5715492056
C	11060	1	STARTER RELAY 220V AC	C	4005337110

Recommended spare parts

POSEIDON 7

27-02-2012

Part List ID
POSEIDON7REC

32

Pos	Part no.	Qty	Description		EAN
C	1802511	1	CIRCLIP 28X1.5 DIN471A	c	5701715027
C	28877	1	SWITCH	c	4005337288
C	301000181	1	ELECTRONIC CONTROL UNIT	c	4005337671
C	301000207	1	HP HOSE 1500MM	c	4005337671
C	301000402	1	RESISTANCE 15KOHM7W	c	4005337680
C	301000403	1	STARTING CAPACITOR 98MICRONF 3	c	4005337680
C	301000415	1	CAPACITOR 80MICRONFOR 420V	c	4005337680
C	301000428	1	TRANSFORMER 500V-575V 23	c	4005337681
C	301002353	1	INRUSH CURRENT LIMITER 5 OHM / 5W	c	4005337083
C	3200615	1	AXIAL ROLLER BEARING	c	5701715039
C	3200623	1	REAR BEARING	c	5701715039
C	3200656	1	NEEDLE BEARING INA K 40X46X17	c	5701715039
C	3200664	1	NEEDLE BEARING	c	5701715039
C	3601262	1	PRESSURE GAUGE 0-300 BAR	c	5701715040
C	4600771	1	DISTANCE PIECE	c	5701715046
C	6100602	1	RETAINING RING	c	5701715008
C	6100611	1	REAR BEARING COVER	c	5701715063
C	6101750	1	FRONT BEARING COVER COMP.	c	5701715064