

# POSEIDON 5



**Nilfisk  
ALTO**  
*Why Compromise*

**Spare parts  
Ersatzteile  
Pièces détachées  
Reservedele**

301001055 - 2006-03-23

**Wap  
KEW**

TECHNOLOGIES

# Zeichenerklärung

## Key to symbols

## Légende

## Symbol erklæring

### Recommended spare parts

#### A-Parts:

High turning parts. Recommended stock size is: [Number of machines sold x 0.02] or minimum 1.  
These parts are typical: Water seals, valves, etc.

#### B-Parts:

Medium turning parts. Recommended stock size is: [Number of machines sold x 0.01] or minimum 1.  
These parts are typical: By-pass valves, safety valves, seal kit, hoses, wobble disc bearings, etc.

#### C-Parts:

Low turning parts. Recommended stock size is: Minimum 1.  
These parts are typical: Electric parts, motors, transformers, relays, fuses, cylinder head, etc.

### Empfohlene Ersatzteile

#### A-Teile:

Teile mit hoher Umschlagshäufigkeit. Empfohlene Lagerstückzahl: [Anzahl der verkauften Maschinen x 0,02] oder Minimum 1.  
Diese Teile sind typisch: Wasserdichtungen, Ventile, etc.

#### B-Teile:

Teile mit mittlerer Umschlagshäufigkeit. Empfohlene Lagerstückzahl: [Anzahl der verkauften Maschinen x 0,01] oder Minimum 1.  
Diese Teile sind typisch: Umlaufventile, Sicherheitsventile, Dichtungssätze, Schläuche, Taumelscheibenlager, etc.

#### C-Teile:

Teile mit niedriger Umschlagshäufigkeit. Empfohlene Lagerstückzahl: Minimum 1.  
Diese Teile sind typisch: Elektrische Teile, Motoren, Transformatoren, Relais, Sicherungen, Zylinderköpfe, etc.

### Liste de pièces à stocker

#### Pièces-A:

Pièces de rechange de la vitesse de rotation haute. Le stock conseillé est : [Nombre de machines acheteés x 0,02] avec un minimum de 1.

Classiquement, ces pièces sont : les joints d'eau, les clapets, etc.

#### Pièces-B:

Pièces de rechange de la vitesse de rotation moyenne. Le stock conseillé est : [Nombre de machines acheteés x 0,01] avec un minimum de 1.

Classiquement, ces pièces sont : la vanne by-pass, les kits de joints, les flexibles, les roulements de disque oblique, etc.

#### Pièces-C:

Pièces de rechange de la vitesse de rotation bas. Le stock conseillé est : Un minimum de 1.

Classiquement, ces pièces sont : composants électriques, moteurs, transformateurs, relais, fusibles, culasses, etc.

### Anbefalede reservedele

#### A-Parts:

Dele med høj omsætningshastighed. Anbefalet lagerstørrelse: [Antal maskiner solgt x 0,02] eller minimum 1.

Disse dele er typisk: Vandmanchetter, ventiler m.v.

#### B-Parts:

Dele med middel omsætningshastighed. Anbefalet lagerstørrelse: [Antal maskiner solgt x 0,01] eller minimum 1.

Disse dele er typisk: By-pass ventiler, sikkerhedsventiler, manchet kit, slanger, skråskive lejer m.v.

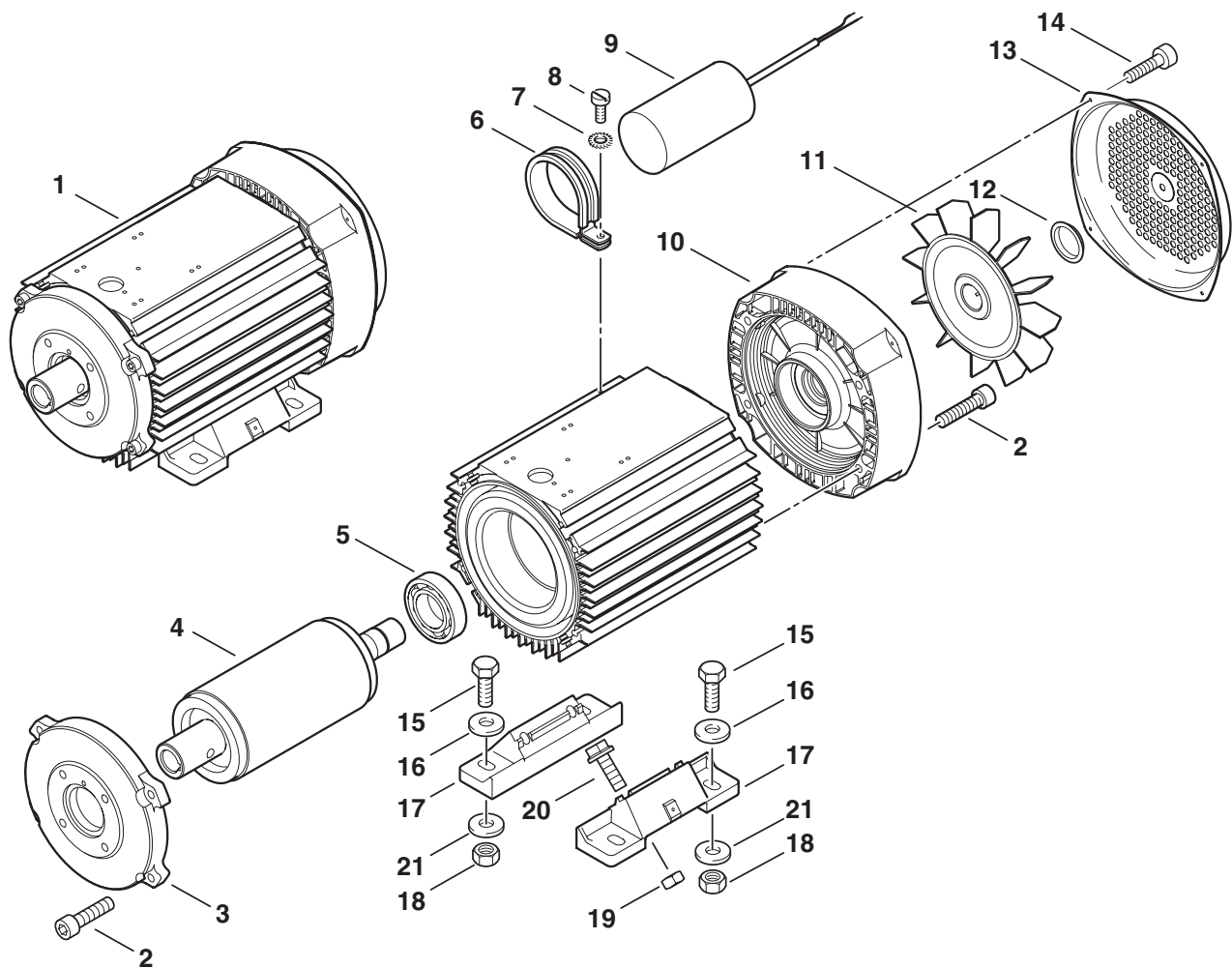
#### C-Parts:

Dele med lav omsætningshastighed. Anbefalet lagerstørrelse: Minimum 1.

Disse dele er typisk: Elektriske dele, motorer, transformere, relæer, sikringer, topstykke m.v.

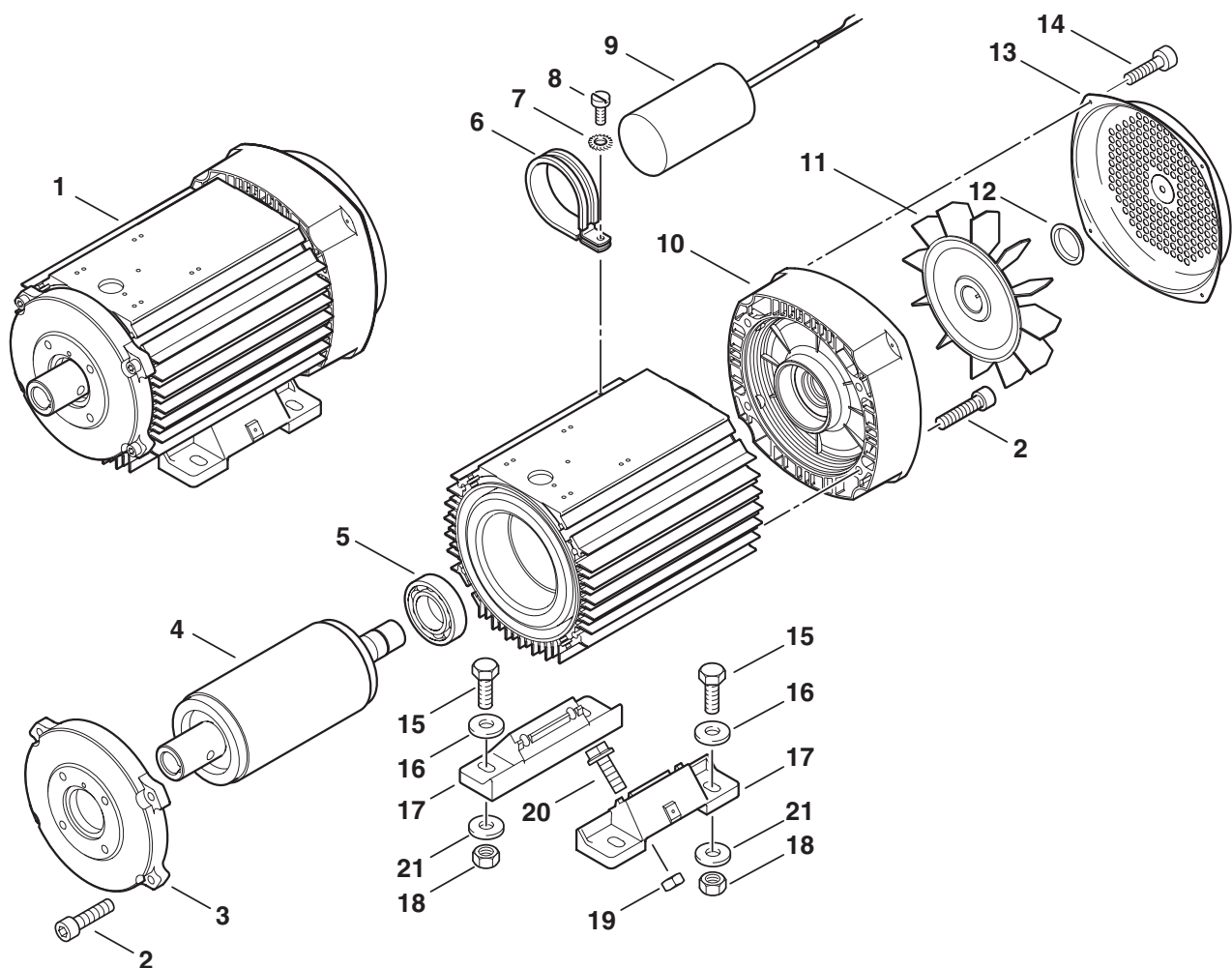
- ❖ ACHTUNG! - Meterware - Bitte bei Bestellung gewünschte Länge angeben!  
ATTENTION! - Lengths in metres - Please indicate required length when ordering!  
ATTENTION! - Longueurs par mètre - Préciser la longueur à la commande!  
BEMÆRK! - Meterware - Ved bestilling venligst opgive den ønskede længde!

- |                 |              |
|-----------------|--------------|
| * bestehend aus | ● beinhaltet |
| consisting of   | includes     |
| composé de      | inclus       |
| bestående af    | inkludere    |



POSEIDON5-101

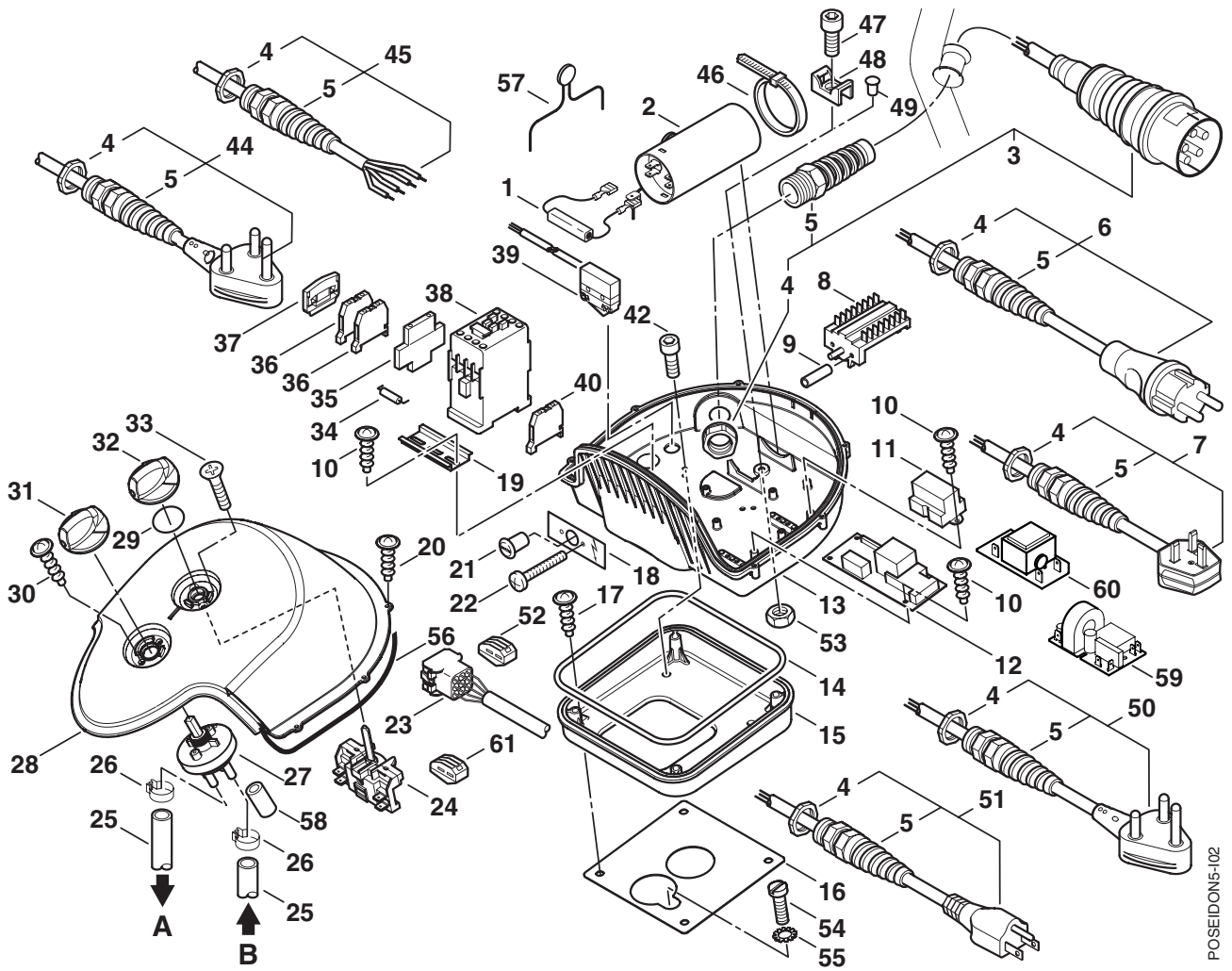
Pos.	No.	Description	Bezeichnung	Comment Bemerkung Bemærkning	Rec. Part POSEIDON 5
1	301000750	Motor 2,2kW/230/1	Motor 2,2kW/230/1	5-28, 5-31	C 1
1	301000751	Motor 4,5kW/230/400/3	Motor 4,5kW/230/400/3	5-43	C 1
1	301000752	Motor 5,5kW/230/400/3	Motor 5,5kW/230/400/3	5-54, 5-58	C 1
1	301000753	Motor 6,7kW/230/400/3	Motor 6,7kW/230/400/3	5-62, 5-63	C 1
1	301001385	Motor 5,2kW/200/346/3	Motor 5,2kW/200/346/3	5-46	C 1
1	301001467	Motor 5,2kW/220/1	Motor 5,2kW/220/1	5-51	C 1
1	301001596	Motor 1,4kW/120/1	Motor 1,4kW/120/1	5-21	C 1
2	6863	Screw M8x35	Zylinderschraube M8x35	5-43, 5-46, 5-51, 5-54, 5-58, 5-62, 5-63	8
2	15045	Screw M6x35	Zylinderschraube M6x35	5-21, 5-28, 5-31	8
3	301001119	Motorflange	Motorflansch	5-43, 5-46, 5-51, 5-54, 5-58, 5-62, 5-63	1
3	301001120	Motorflange	Motorflansch	5-21, 5-28, 5-31	1
4	301001121	Rotor Motor 2.2kW	Rotor Motor 2,2kW	5-28, 5-31	C 1
4	301001122	Rotor Motor 4.5kW	Rotor Motor 4,5kW	5-43	C 1
4	301001123	Rotor Motor 5.5kW	Rotor Motor 5,5kW	5-46, 5-54, 5-58	C 1
4	301001124	Rotor Motor 6.7kW	Rotor Motor 6,7kW	5-62, 5-63	C 1
4	301001662	Rotor Motor 1.4kW	Rotor Motor 1,4kW	5-21	C 1
4	301001665	Rotor Motor 5.2kW	Rotor Motor 5,2kW	5-51	C 1
5	5905	Roller Bearing 6306-2Z	Wälzlager 6306-2Z	5-43, 5-46, 5-51, 5-54, 5-58, 5-62, 5-63	C 1
5	6367	Roller Bearing 6206-2Z	Wälzlager 6206-2Z	5-21, 5-28, 5-31	C 1
6	301001093	Fastening Clip Ø50,8x16,3	Befestigungsschelle Ø50,8x16,3	5-21, 5-28, 5-31, 5-51	1
7	3376	Serrated Lock Washer Ø5,3	Fächerscheibe Ø5,3	5-21, 5-28, 5-31, 5-51	1
8	3348	Screw M5x10	Zylinderschraube M5x10	5-21, 5-28, 5-31, 5-51	1
9	301001017	Capacitor 60µF/450V	Betriebskondensator 60µF/450V	5-28, 5-31	C 1



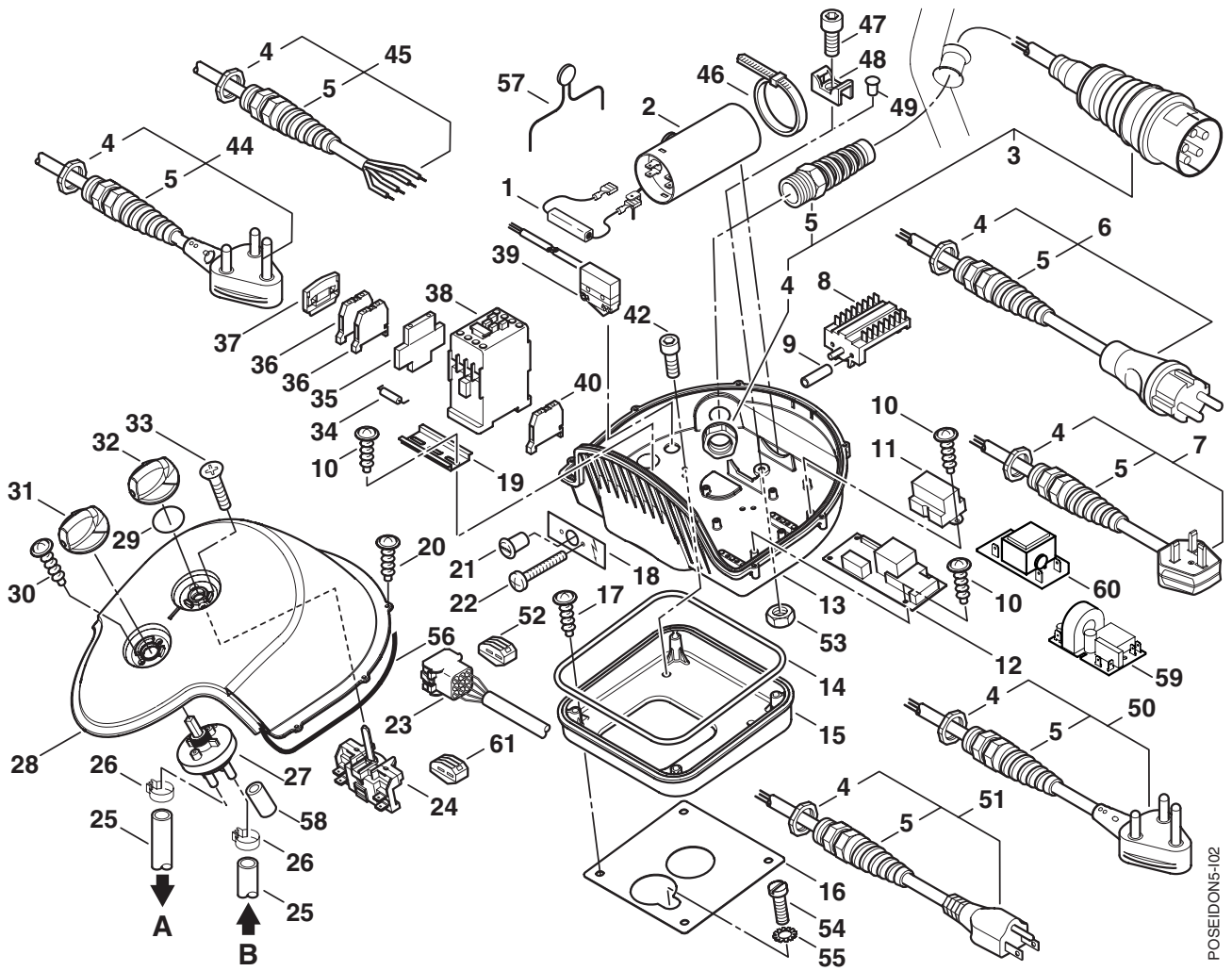
POSEIDON5-101

Pos.	No.	Description	Bezeichnung	Comment Bemerkung Bemærkning	Rec. Part POSEIDON 5
9	301001465	Capacitor 60µF/450V	Betriebskondensator 60µF/450V	5-51	C 2
9	301001595	Capacitor 90µF/400V	Betriebskondensator 90µF/400V	5-21	C 1
10	301001113	Rear Bearing Cover	Lagerdeckel Hinten	5-43, 5-46, 5-51, 5-54, 5-58, 5-62, 5-63	1
10	301001114	Rear Bearing Cover	Lagerdeckel Hinten	5-21, 5-28, 5-31	1
11	301001117	Fan Wheel	Lüfterrad	5-43, 5-46, 5-51, 5-54, 5-58, 5-62, 5-63	1
11	301001118	Fan Wheel	Lüfterrad	5-21, 5-28, 5-31	1
12	301001112	Fastening Ring	Klemmring		1
13	301001115	Fan Housing	Lüfterhaube	5-43, 5-46, 5-51, 5-54, 5-58, 5-62, 5-63	1
13	301001116	Fan Housing	Lüfterhaube	5-21, 5-28, 5-31	1
14	8822	Sheet Metal Screw 3,5x9,5	Blechschaube 3,5x9,5		4
15	32964	Screw M10x30	Sechskantschraube M10x30		4
16	4827	Washer 10,5x2,5	Scheibe 10,5x2,5		4
17	301001126	Motor Foot H45mm	Motorfuß H45mm	5-43, 5-46, 5-51, 5-54, 5-58, 5-62, 5-63	2
17	301001127	Motor Foot H51mm	Motorfuß H51mm	5-21, 5-28, 5-31	2
18	8952	Hexagon Nut M10	Sechskantmutter M10		4
19	6052	Hexagon Nut M8	Sechskantmutter M8		4
20	27372	Screw M8x20	Schraube M8x20		4
21	2767	Washer 10,5x2	Scheibe 10,5x2		4

301001055 - 2006-03-23



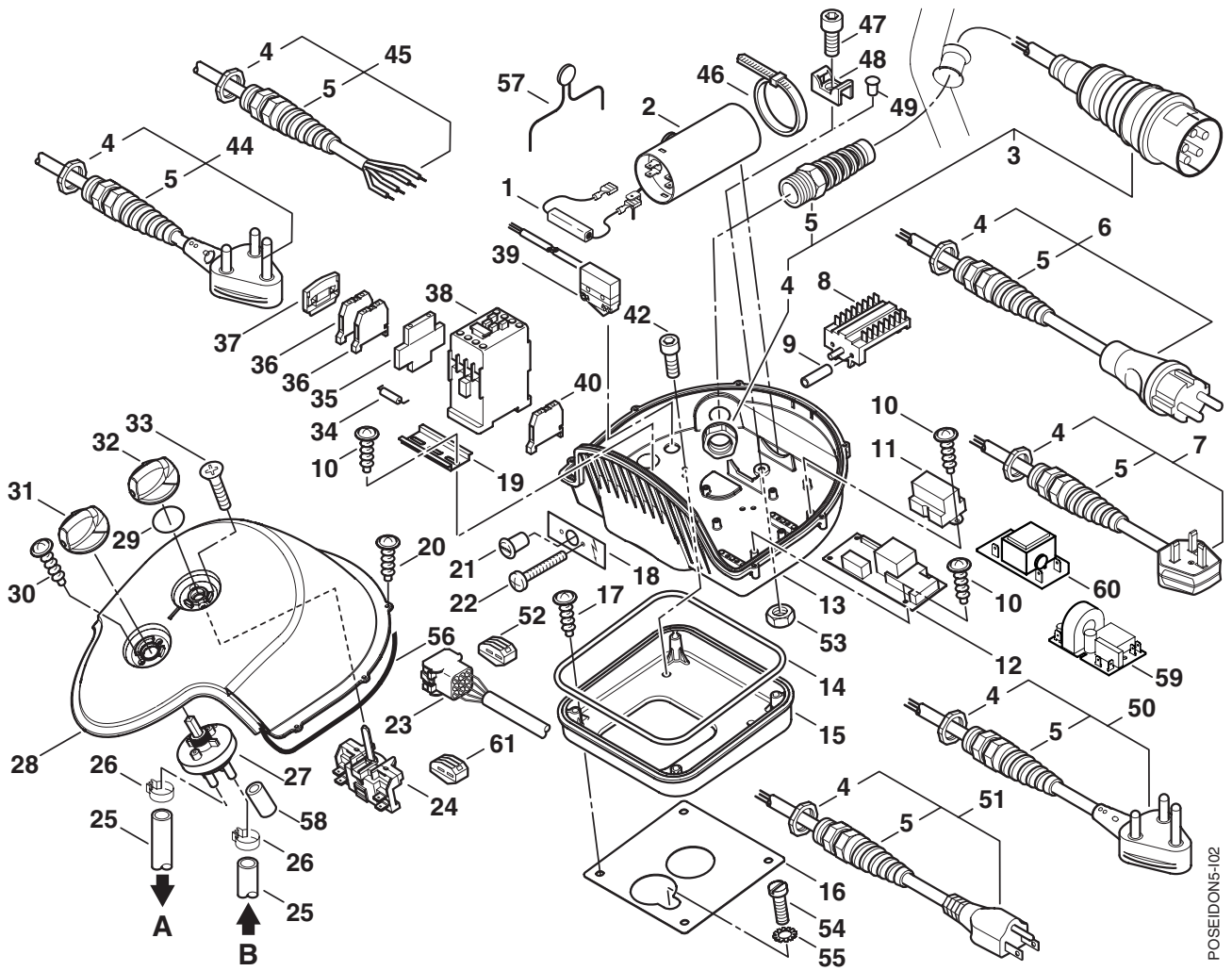
Pos.	No.	Description	Bezeichnung	Comment Bemerkung Bemærkning	Rec. Part POSEIDON 5
1	301000402	Resistance 15kOhm/7W	Widerstand 15kOhm/7W	5-21, 5-28, 5-31, 5-51	C 1
2	301001056	Starting capacitor 98µF/330V	Anlaufkondensator 98µF/330V	5-21, 5-28, 5-31, 5-51	C 1
3	301000834	Power Cord H07RN-F 4G1,5x6	Netzleitung H07RN-F 4G1,5x6	400/3/50 *EU*	1
4	909100019	Hexagon Nut M20x1,5	Sechskantmutter M20x1,5		1
4	909100020	Hexagon Nut M25x1,5	Sechskantmutter M25x1,5	5-46, 5-51, 5-58	1
5	909100043	Cord Fixing M20x1,5	Kabelverschraubung M20x1,5		1
5	909100198	Cord Fixing M25x1,5	Kabelverschraubung M25x1,5	5-46, 5-51, 5-58	1
6	301000829	Power Cord H07RN-F 3G1,5x6	Netzleitung H07RN-F 3G1,5x6	230/1/50 *EU*, 220/1/60*TW*KR*	1
7	301000912	Power Cord H07RN-F 3G1,5x6	Netzleitung H07RN-F 3G1,5x6	230/1/50 *GB*	1
8	64579	Switch Start/Triangle 16A	Drehschalter Stern-Dreieck 16A	230/400/3/50 *BE*NO*	1
8	301000293	Switch Start/Triangle 16A	Drehschalter Stern-Dreieck 16A	220/440/3/60 *US*KR*TW*	1
9	64581	Pipe Ø10xØ4x20	Rohr Ø10xØ4x20	230/400/3/50 *BE*NO*, 220/440/3/60 *US*KR*TW*	2
10	909100046	Screw 4x8	Schraube 4x8		2
11	11060	Starter Relay 220V AC	Anlassrelais 220V AC	5-21, 5-28, 5-31	C 1
12	301001104	Electronic	Elektronik	5-28, 5-31, 5-46, 5-51, 5-54*KR*TW*, 5-58, 5-62*KR*TW*, DSS	C 1
12	301001660	Electronic	Elektronik	5-21	1
13	301000768	El-box Base	Schaltkastenunterteil		1
◇ 14	50896	Packing Cord Ø4	Dichtschnur Ø4	5-21, 5-28, 5-31	1
15	301000769	Adapter plate	Adapterplatte	5-21, 5-28, 5-31	1
16	301001183	Gasket 101,5x101,5x3	Dichtung 101,5x101,5x3		1



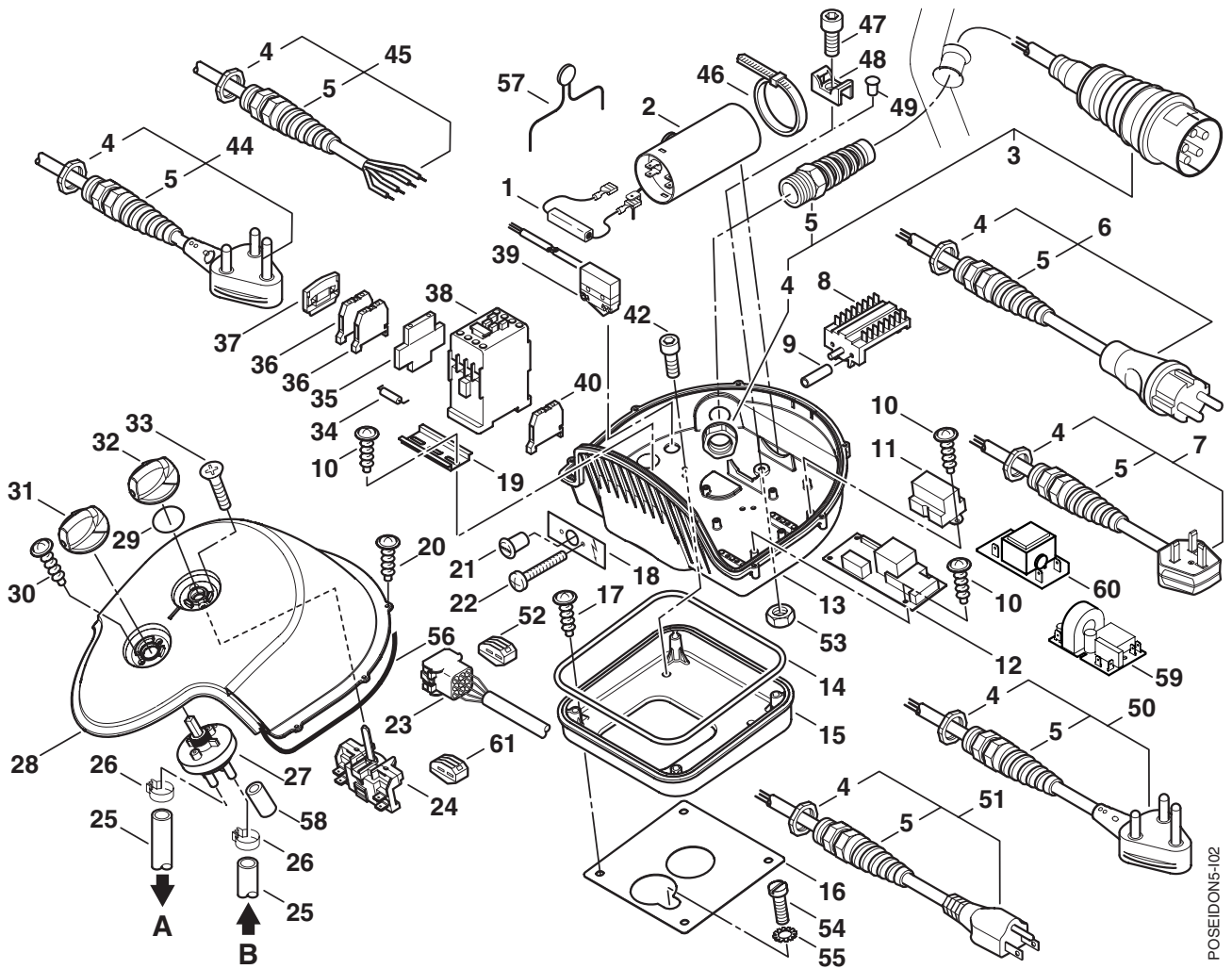
POSEIDON5-102

Pos.	No.	Description	Bezeichnung	Comment Bemerkung Bemærkning	Rec. Part POSEIDON 5
	17	11565 Screw 5x18	Schraube 5x18		4
	18	64586 Label "Change 230-400V"	Klebeschild "230-400V Umschaltung"	230/400/3/50 *BE*NO*	1
	18	64787 Label "Change 220-440V"	Klebeschild "220-440V Umschaltung"	220/440/3/60 *US*KR*TW*	1
◇	19	22290 Mounting Rail	Gerätetragschiene		1
	20	1814585 Screw 3x12	Schraube 3x12		6
	21	64580 Rotary knob	Drehknopf	230/400/3/50 *BE*NO*, 220/440/3/60 *US*KR*TW*	1
	22	40045 Pan Head Screw M4x30	Flachkopfschraube M4x30	230/400/3/50 *BE*NO*, 220/440/3/60 *US*KR*TW*	2
	23	301000949 Cord Motor 7-pol.	Leitung Motor 7-pol.	230/1/50,60, 120/1/60	1
	23	301000950 Cord Motor 9-pol.	Leitung Motor 9-pol.	400/3/50	1
	23	301000951 Cord Motor 9-pol.	Leitung Motor 9-pol.	230/400/3/50*BE*NO*, 220/440/3/60 *US*KR*TW*	1
	23	301001383 Cord Motor 9-pol.	Leitung Motor 9-pol.	200/3/50,60, 220/1/60*US*	1
	24	301001058 Cam Switch 10A/400Vac	Nockenschalter 10A/400Vac		C 1
◇	25	5206636 Hose Ø6/Ø10	Schlauch Ø6/Ø10		1
	26	301001133 Hose Clamp Ø10/7	Schlauchklemme Ø10/7		2
	27	301001000 Valve Ø51x70	Dosierventil Ø51x70		C 1
	28	301000767 El-box Cover	Schaltkastenoberteil		1
	29	9868 O-ring Ø10x2,5	O-Ring Ø10x2,5		1
	30	1814730 Screw 3,5x10	Schraube 3,5x10		2
	31	909100214 Rotary Knob 4kt.	Drehknopf 4kt.		1

301001055 - 2006-03-23

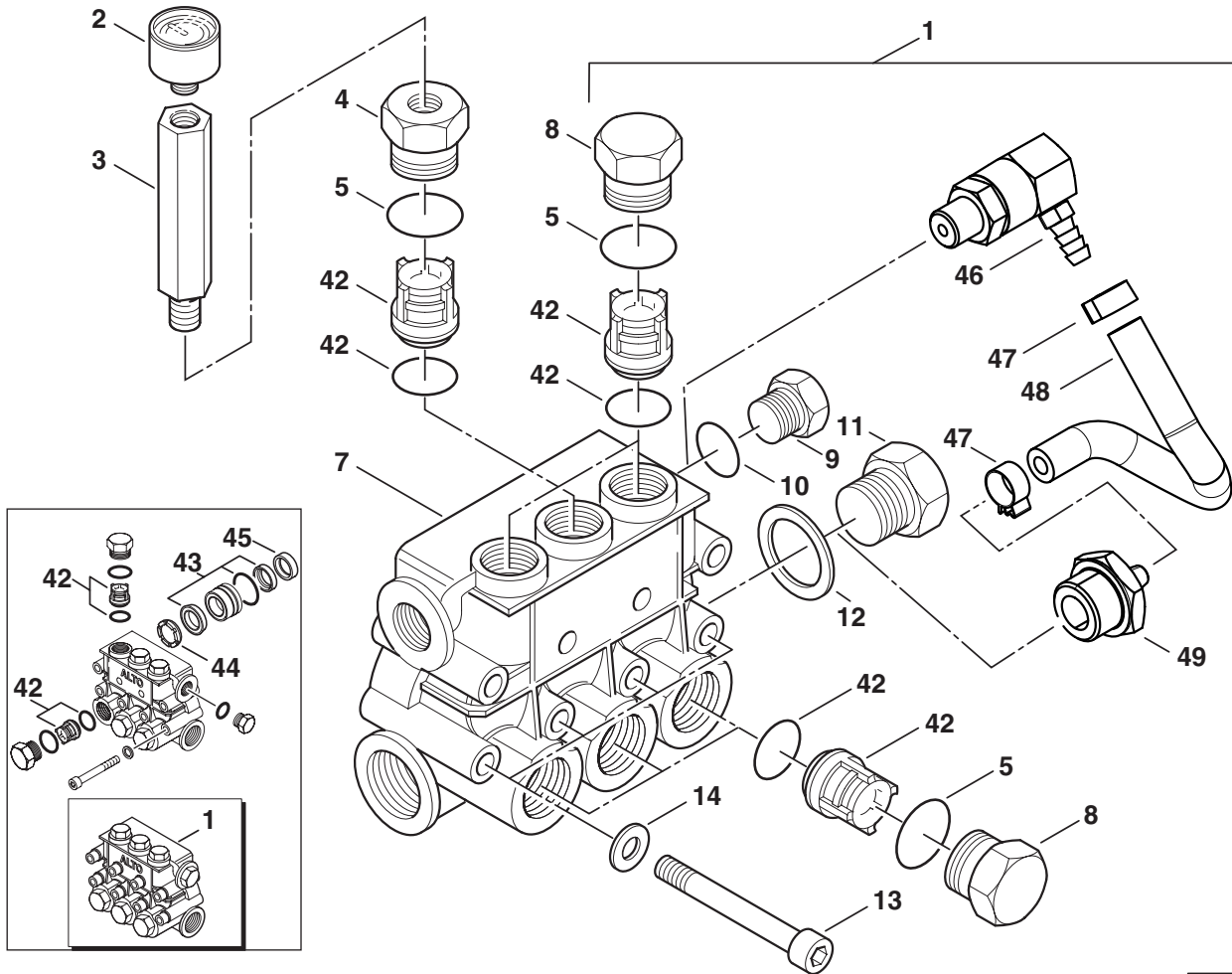


Pos.	No.	Description	Bezeichnung	Comment Bemerkung Bemærkning	Rec. Part POSEIDON 5
32	909100204	Rotary Knob Ø6x5	Drehknopf Ø6x5		1
33	18274	Countersunk Screw M4x12	Senkschraube M4x12		2
34	301000074	Resistor 470 ohm/3W	Widerstand 470 ohm/3W	230/400/3/50*BE*NO*, 220/440/3/60 *US*KR*TW*	C 1
35	64773	Auxiliary contact 100-SBL11	Hilfskontakt 100-SBL11	230/400/3/50*BE*NO*, 220/440/3/60 *US*KR*TW*	B 1
36	301000687	Wire terminal 2x2,5mm <sup>2</sup>	Reihenklemme 2x2,5mm <sup>2</sup>	5-21, 5-28, 5-31, 5-51	2
37	301000689	End Plate 4mm	Abschlussplatte 4mm	5-21, 5-28, 5-31	1
38	63905	Contact 100-C16KF10 230/50/60	Schütz 100-C16KF10 230/50/60	220,230/1/50,60	B 1
38	63908	Contact 100-C23KD10 110/50-60	Schütz 100-C23KD10 110/50-60	120/1/60	B 1
38	63909	Contact 100-C23KG10 200/50-60	Schütz 100-C23KG10 200/50-60	200/3/50,60	B 1
38	63910	Contact 100-C23KF10 230/50-60	Schütz 100-C23KF10 230/50-60	230/400/3/50*BE*NO*, 220/440/3/60 *US*KR*TW*	B 1
38	63914	Contact 100-C30KG10 200/50-60	Schütz 100-C30KG10 200/50-60	220/1/60	B 1
38	64881	Contact 100-C16KN10 400/50-60	Schütz 100-C16KN10 400/50-60	400/3/50	B 1
39	301000952	End switch 250V 0,1A	Endschalter 250V 0,1A	with, mit electronics	B 1
39	301000953	End switch 250V 5A	Endschalter 250V 5A	without, ohne electronics	B 1
40	14506	Wire terminal 10qmm	Reihenklemme GR-GE 10qmm	5-51	1
40	3817483	Wire Terminal WK4	Reihenklemme Erde WK4		1
42	10369	Screw M5x25	Zylinderschraube M5x25	5-21, 5-28, 5-31	4
42	32535	Screw M5x16	Zylinderschraube M5x16	5-43, 5-46, 5-51, 5-54, 5-58, 5-62, 5-63	4
44	301000407	Power Cord SJOW AWG10/3x9	Netzleitung SJOW AWG10/3x9	220/1/60*US*	1



Pos.	No.	Description	Bezeichnung	Comment Bemerkung Bemærkning	Rec. Part POSEIDON 5
45	301000833	Power Cord H07RN-F 4G2,5x6	Netzleitung H07RN-F 4G2,5x6	230/400/3/50 *BE*NO*, 220/440/3/60 *KR*TW*	1
45	301001384	Power Cord VCT 4x3,5x11	Netzleitung VCT 4x3,5x11	200/3/50,60 *JP*	1
45	301001466	Power Cord SOW AWG12/4x11	Netzleitung SOW AWG12/4x11	220,460/3/60*US*	1
46	15884	Cable Strap 4,7x1,3x350	Kabelband 4,7x1,3x350	5-21, 5-28, 5-31, 5-51	1
47	3288	Screw M4x8	Zylinderschraube M4x8	5-21, 5-28, 5-31, 5-51	1
48	1814621	Bracket	Halter Kabelbinder	5-21, 5-28, 5-31, 5-51	1
49	301001219	Plug Ø6xØ8x5,4	Stopfen Ø6xØ8x5,4	5-43, 5-46, 5-51, 5-54, 5-58, 5-62, 5-63	1
50	301001390	Power cord H07RN-F 3G1,5x6	Netzleitung H07RN-F 3G1,5x6	230/1/50*ZA*	1
51	3821316	Power cord SJTOW AWG12/3x11	Netzleitung SJTOW AWG12/3x11	120/1/60 *US*	1
52	301001229	Terminal block 3x4qmm	Federklemme 3x4qmm	400/3/50, 220/1/60	1
53	15319	Hexagon Nut M4	Sechskantmutter M4	5-21, 5-28, 5-31	1
54	1804699	Screw M5x6	Schraube M5x6		1
55	3376	Serrated Lock Washer Ø5,3	Fächerscheibe Ø5,3		1
◇	50896	Packing Cord Ø4	Dichtschnur Ø4		1
57	301002353	Current Limiter 5W	Strombegrenzer 5W	5-28, 5-31, 5-51	1
58	301001906	Closing Cap Ø12x21,5	Verschlusskappe Ø12x21,5		2
59	301002469	Electronic 1ph 24Vac	Elektronik 1ph 24Vac	5-51	1
60	301002462	Transformer 230V / 24V 2VA	Trafo 230V/24V 2VA Board	5-51	1
61	301002165	Terminal block 5x4qmm	Federklemme 5x4qmm	5-51	1

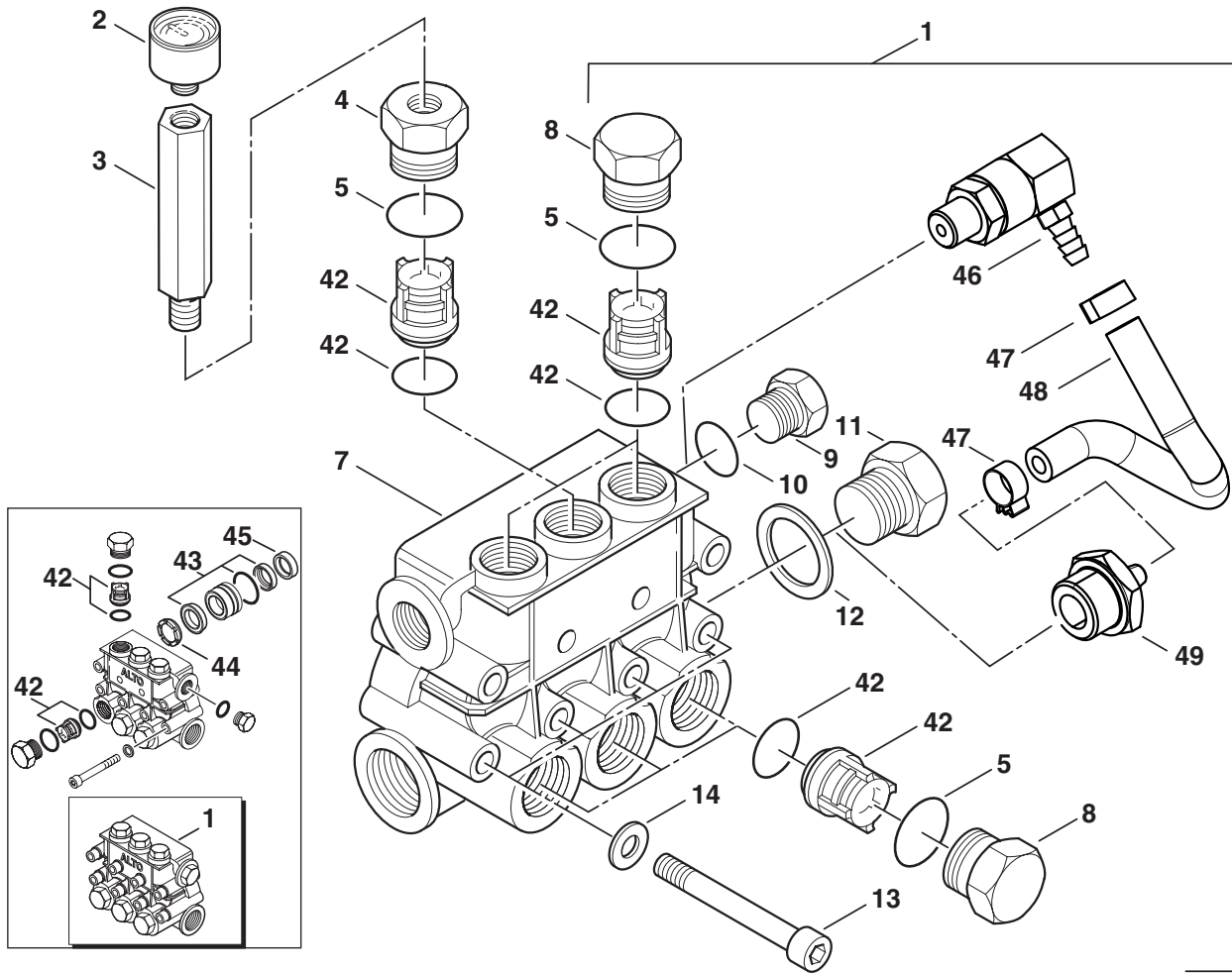




POSEIDON5-103

Pos.	No.	Description	Bezeichnung	Comment Bemerkung Bemærkning	Rec. Part	POSEIDON 5
1	301001170	Valve Block Compl. Ø18mm Piston	Ventilblock Kpl. Ø18mm Kolben	5-21, 5-28, 5-31, 5-43, 5-46, 5-51, 5-54, 5-58, 5-62 60Hz, Pos. 46-49 not included	C	1
1	301001171	Valve Block Compl. Ø20mm Piston	Ventilblock Kpl. Ø20mm Kolben	5-62 50Hz, 5-63	C	1
2	301000246	Pressure Gauge 0-300 bar	Manometer 0-300 bar			1
3	301000982	Extension G1/8"	Verlängerung G1/8"			1
4	301000981	Plug M22x1,5 1/8"	Stopfen M22x1,5 1/8"			1
5	103004342	O-ring Ø17,86x2,62	O-Ring Ø17,86x2,62			6
7	301001172	Valve Block	Ventilblock			1
8	301001137	Plug M22 SW24x21	Stopfen M22 SW24x21			5
9	301001134	Plug G3/8"	Stopfen G3/8"			1
10	1409	Packing Ring Ø17x23	Dichtring Ø17x23			1
11	301001136	Plug G1/2"/SW24x17	Stopfen G1/2"/SW24x17			1
12	5127	Packing Ring Ø21x26	Dichtring Ø21x26			1
13	1814597	Screw M8x70	Zylinderschraube M8x70			8
14	909100168	Safety Washer Ø8	Sicherungsscheibe Ø8			8
42	301001153	Kit Valve [6x]	ET-Set Ventile [6x]		A	1
43	301001148	Kit Piston Sealing Ø18	ET-Set Kolbendichtung Ø18	5-21, 5-28, 5-31, 5-43, 5-46, 5-51, 5-54, 5-58, 5-62 60Hz	A	1
43	301001149	Kit Piston Sealing Ø20	ET-Set Kolbendichtung Ø20	5-62 50Hz, 5-63	A	1
44	301001151	Kit Support Ring Ø18	ET-Set Stützring Ø18	5-21, 5-28, 5-31, 5-43, 5-46, 5-51, 5-54, 5-58, 5-62 60Hz	B	1
44	301001152	Kit Support Ring Ø20	ET-Set Stützring Ø20	5-62 50Hz, 5-63	B	1
45	301001150	Kit Oil Sealing	ET-Set Öldichtung		B	1

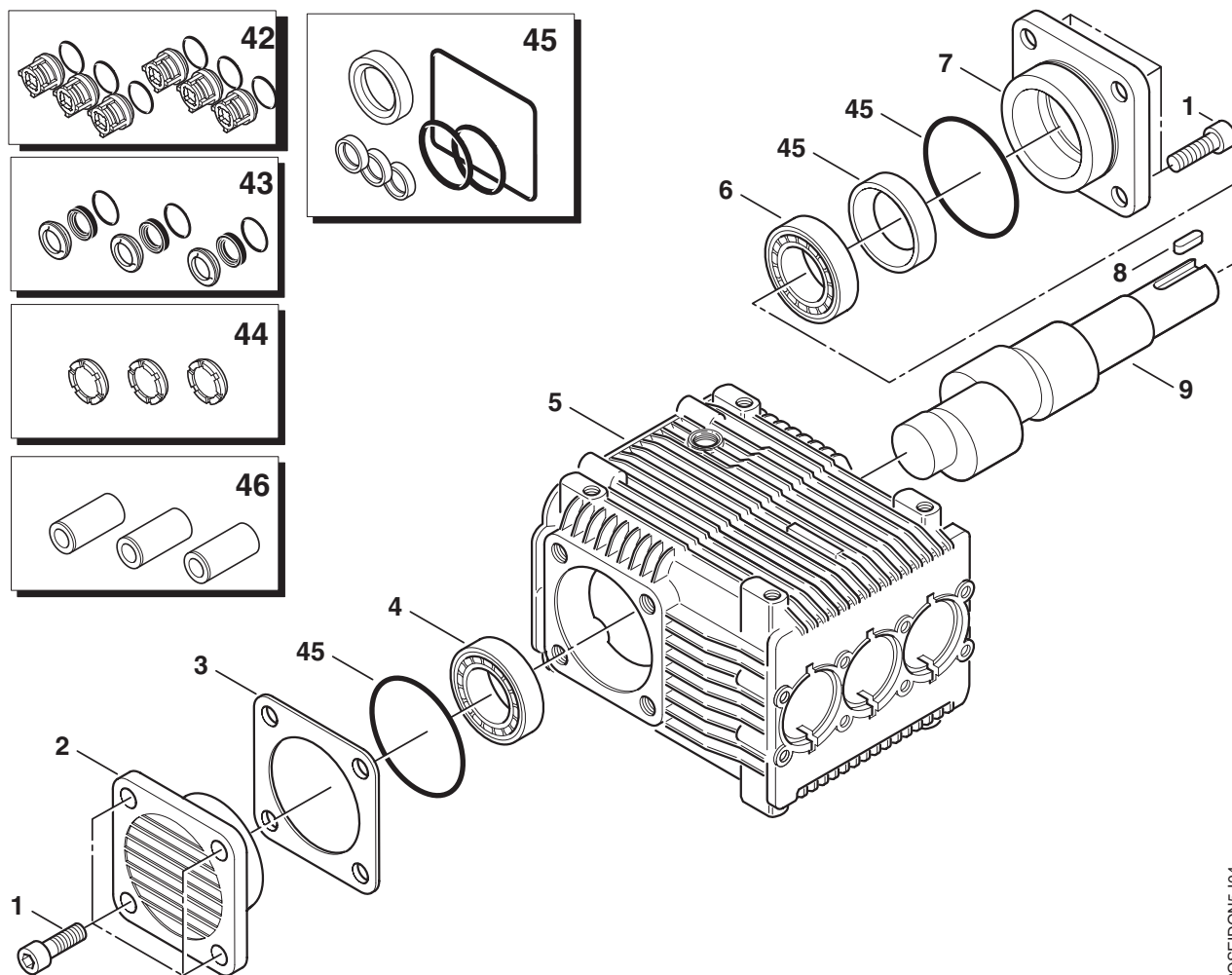
301001055 - 2006-03-23



POSEIDON5-103

Pos.	No.	Description	Bezeichnung	Comment Bemerkung Bemærkning	Rec. Part POSEIDON 5
46	301002483	Valve Easy-Start ES1 3/8"	Ventil Easy-Start ES1 3/8"	5-51, not included in pos. 1	1
47	7239	Hose Clip Ø14,5	Schlauchschelle Ø14,5	5-51, not included in pos. 1	2
↖ 48	9175	Hose Ø6x3	Schlauch Ø6x3	5-51, not included in pos. 1	1
49	107120313	Hose-tail ø6	Schlauchtülle Ø6/R1/2"	5-51, not included in pos. 1	1
	301000789	Pump NP5 11.14 N	Pumpe NP5 11.14 N	5-31	1
	301000790	Pump NP5 13.20 N	Pumpe NP5 13.20 N	5-43, 5-46 50Hz	1
	301000791	Pump NP5 15.20 N	Pumpe NP5 15.20 N	5-51	1
	301000792	Pump NP5 17.20 N	Pumpe NP5 17.20 N	5-62 50Hz	1
	301000793	Pump NP5 19.20 N	Pumpe NP5 19.20 N	5-63	1
	301000994	Pump NP5 10.12 N	Pumpe NP5 10.12 N	5-28	1
	301000995	Pump NP5 11.20 N	Pumpe NP5 11.20 N	5-46 60Hz	1
	301001462	Pump NP5 4G30 N	Pumpe NP5 4G30 N	5-54 60Hz, 5-58	1
	301001463	Pump NP5 4,5G30 N	Pumpe NP5 4,5G30 N	5-62 60Hz	1
	301001580	Pump NP5 2,8G22 N	Pumpe NP5 2,8G22 N	5-28 60Hz	1
	301001619	Pump NP5 2,5G22 N	Pumpe NP5 2,5G22 N	5-21	1

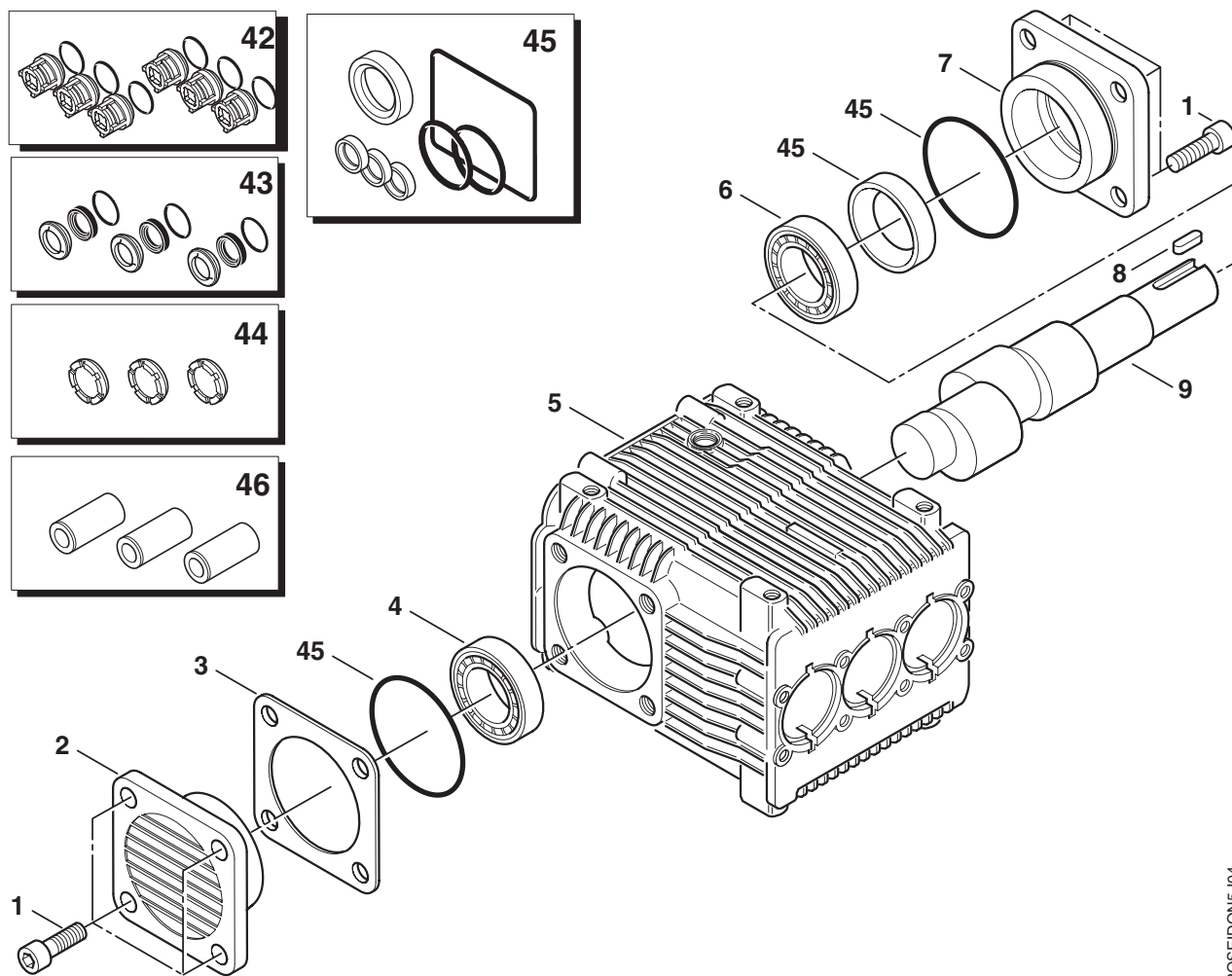
301001055 - 2006-03-23



POSEIDON5-104

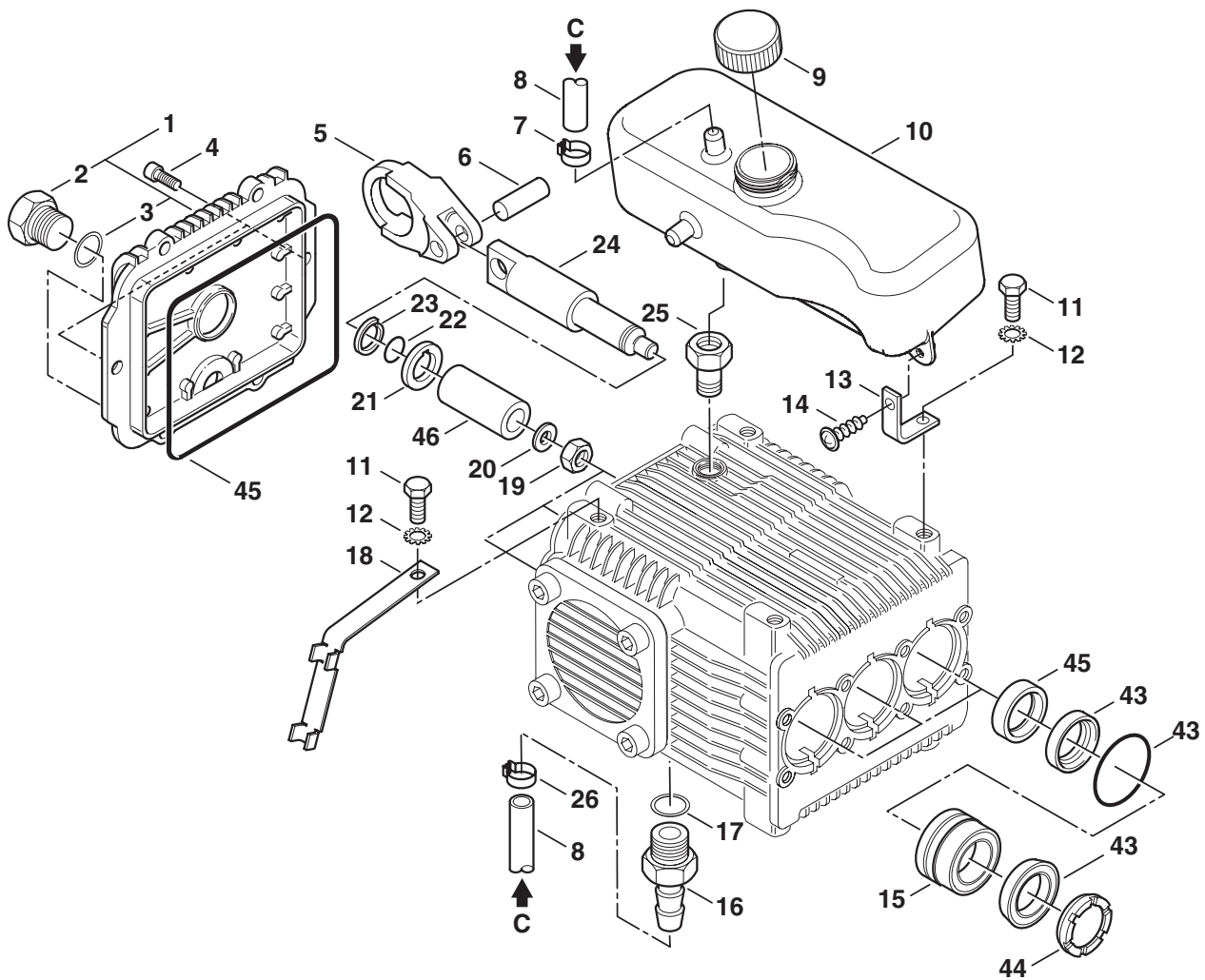
Pos.	No.	Description	Bezeichnung	Comment Bemerkung Bemærkning	Rec. Part POSEIDON 5
1	2788	Screw M8x16	Zylinderschraube M8x16		8
2	301001166	Bearing Lid 80x80x8 Closed	Lagerdeckel 80x80x8 Geschl.		1
3	301001140	Adjusting Washer 80x80x0,05	Passscheibe 80x80x0,05		B 1
3	301001141	Adjusting Washer 80x80x0,10	Passscheibe 80x80x0,10		B 1
3	301001142	Adjusting Washer 80x80x0,20	Passscheibe 80x80x0,20		B 1
3	301001143	Adjusting Washer 80x80x0,25	Passscheibe 80x80x0,25		B 1
4	909100163	Roller Bearing 30304	Wälzlager 30304		1
5	301001157	Housing	Gehäuse		1
6	909100162	Roller Bearing 30205	Wälzlager 30205		1
7	301001167	Bearing Lid 80x80x8 Open	Lagerdeckel 80x80x8 Offen		1
8	19639	Parallel Key A 8x7x25	Passfeder A 8x7x25		1
9	301001161	Crankshaft No.6	Kurbelwelle No.6	5-28 50Hz	C 1
9	301001162	Crankshaft No.5	Kurbelwelle No.5	5-31, 5-46 60Hz	C 1
9	301001163	Crankshaft No.3	Kurbelwelle No.3	5-43, 5-46 50Hz, 5-62 50Hz	C 1
9	301001164	Crankshaft No.2	Kurbelwelle No.2	5-62 60Hz	C 1
9	301001165	Crankshaft No.1	Kurbelwelle No.1	5-51, 5-54 50Hz, 5-63	C 1
9	301001657	Crankshaft No.7	Kurbelwelle No.7	5-21	C 1
9	301001658	Crankshaft No.11	Kurbelwelle No.11	5-28 60Hz	C 1
9	301001659	Crankshaft No.4	Kurbelwelle No.4	5-54 60Hz, 5-58	C 1
42	301001153	Kit Valve [6x]	ET-Set Ventile [6x]		A 1
43	301001148	Kit Piston Sealing Ø18	ET-Set Kolbendichtung Ø18	5-21, 5-28, 5-31, 5-43, 5-46, 5-51, 5-54, 5-58, 5-62 60Hz	A 1
43	301001149	Kit Piston Sealing Ø20	ET-Set Kolbendichtung Ø20	5-62 50Hz, 5-63	A 1

301001055 - 2006-03-23



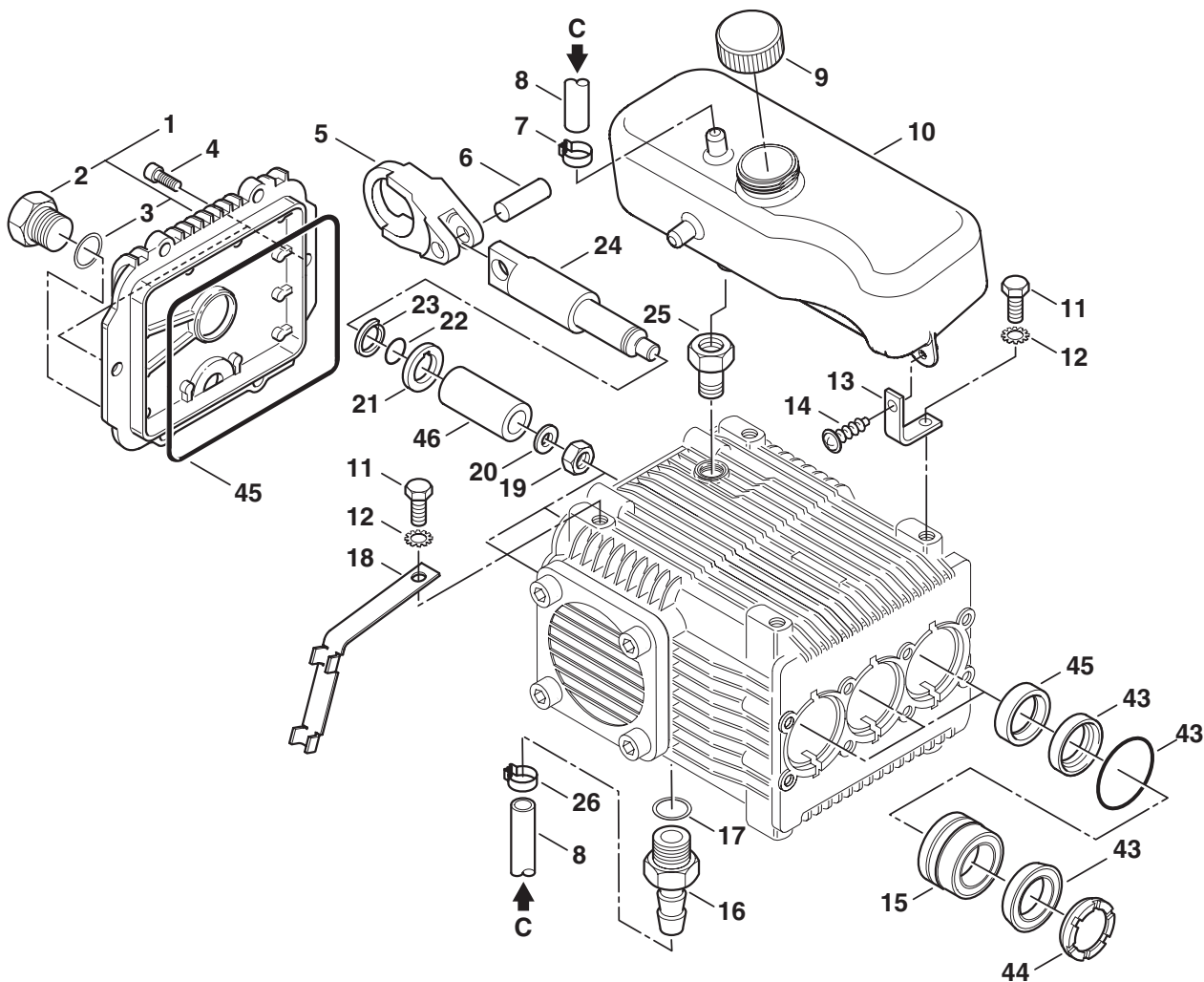
POSEIDON5-104

Pos.	No.	Description	Bezeichnung	Comment Bemerkung Bemærkning	Rec. Part POSEIDON 5
44	301001151	Kit Support Ring Ø18	ET-Set Stützring Ø18	5-21, 5-28, 5-31, 5-43, 5-46, 5-51, 5-54, 5-58, 5-62 60Hz	B 1
44	301001152	Kit Support Ring Ø20	ET-Set Stützring Ø20	5-62 50Hz, 5-63	B 1
45	301001150	Kit Oil Sealing	ET-Set Öldichtung		B 1
46	301001146	Kit Piston Ø18	ET-Set Keramikkolben Ø18	5-21, 5-28, 5-31, 5-43, 5-46, 5-51, 5-54, 5-58, 5-62 60Hz	C 1
46	301001147	Kit Piston Ø20	ET-Set Keramikkolben Ø20	5-62 50Hz, 5-63	C 1



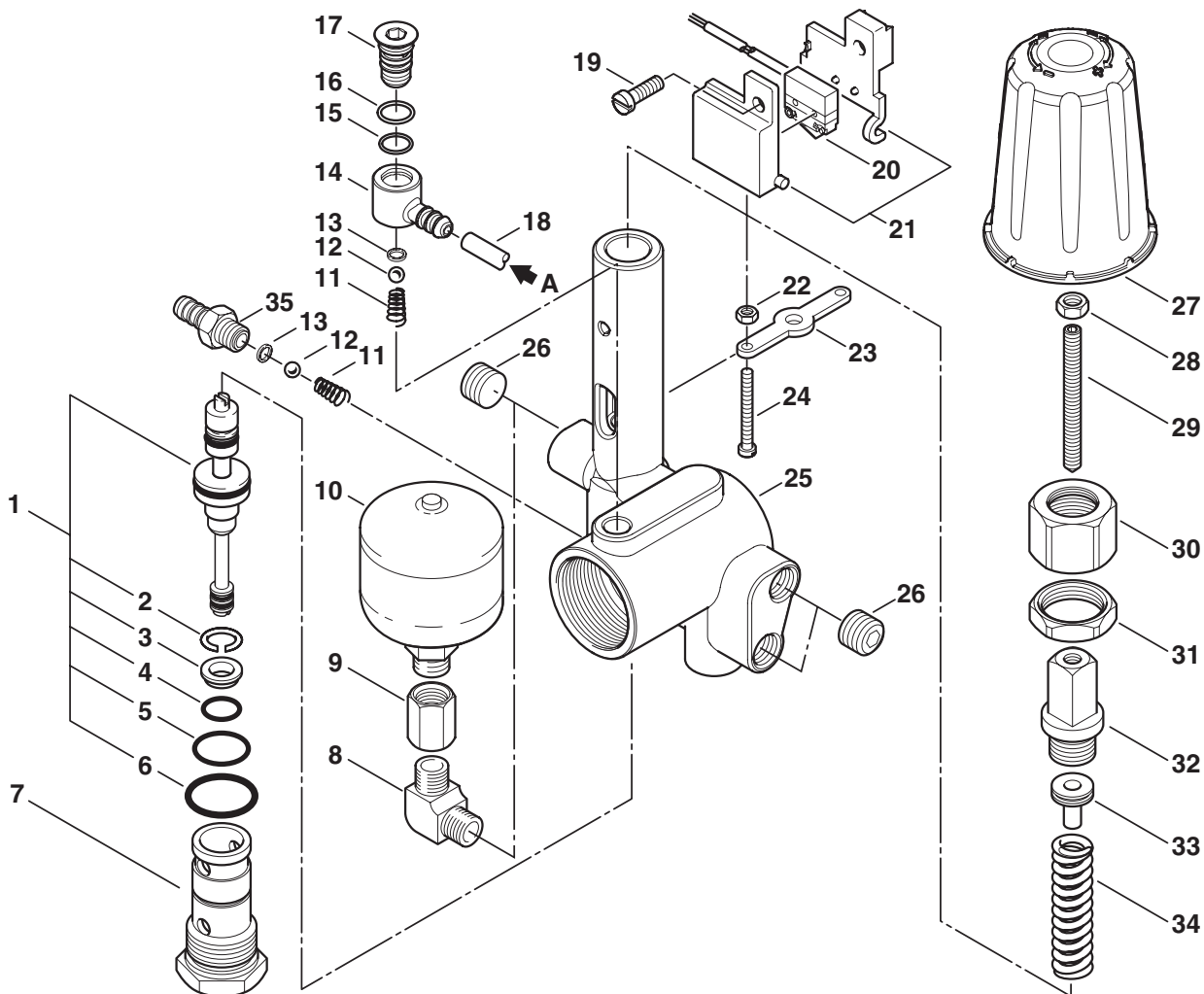
POSEIDON5-05

Pos.	No.	Description	Bezeichnung	Comment Bemerkung Bemærkning	Rec. Part POSEIDON 5
1	301001158	Cover	Deckel		1
2	301001135	Plug G3/8"	Stopfen G3/8"		1
3	56554	O-ring Ø14x1,78	O-Ring Ø14x1,78		1
4	909100158	Screw M6x14	Zylinderschraube M6x14		6
5	301001168	Connecting Rod	Pleuel	Bronze; 5-43, 5-46, 5-51, 5-54, 5-58, 5-62, 5-63	B 3
5	301001169	Connecting rod	Pleuel	Aluminium; 5-21, 5-28, 5-31	B 3
6	301001138	Bolt	Bolzen		B 3
7	11654	Hose Clamp Ø11,5	Schlauchklemme Ø11,5		1
↔	5206636	Hose Ø6/Ø10	Schlauch Ø6/Ø10		1
9	301001005	Cap ø33x10x11,5	Kappe ø33x10x11,5		1
10	301000765	Oil Tank	Öltank		1
11	8919	Screw M8x12	Sechskantschraube M8x12		2
12	2803	Washer 8,2	Zahnscheibe 8,2		2
13	301000975	Bracket 2x51x20	Halter 2x51x20		1
14	1814585	Screw 3x12	Schraube 3x12		1
15	301001154	Thrust Collar Ø18 "NP5-pump"	Kolbenführung Ø18 "NP5-Pumpe"	5-21, 5-28, 5-31, 5-43, 5-46, 5-51, 5-54, 5-58, 5-62 60Hz	B 3
15	301001155	Thrust Collar Ø20 "NP5-pump"	Kolbenführung Ø20 "NP5-Pumpe"	5-62 50Hz, 5-63	B 3
16	2580	Hose Liner Ø6 G3/8	Schlauchtülle Ø6 G3/8		1
17	56554	O-ring Ø14x1,78	O-Ring Ø14x1,78		1
18	301000807	Bracket 2x122x15x10	Halter 2x122x15x10		1
19	909100167	Hexagon Nut M8	Sechskantmutter M8		3



POSEIDON51-05

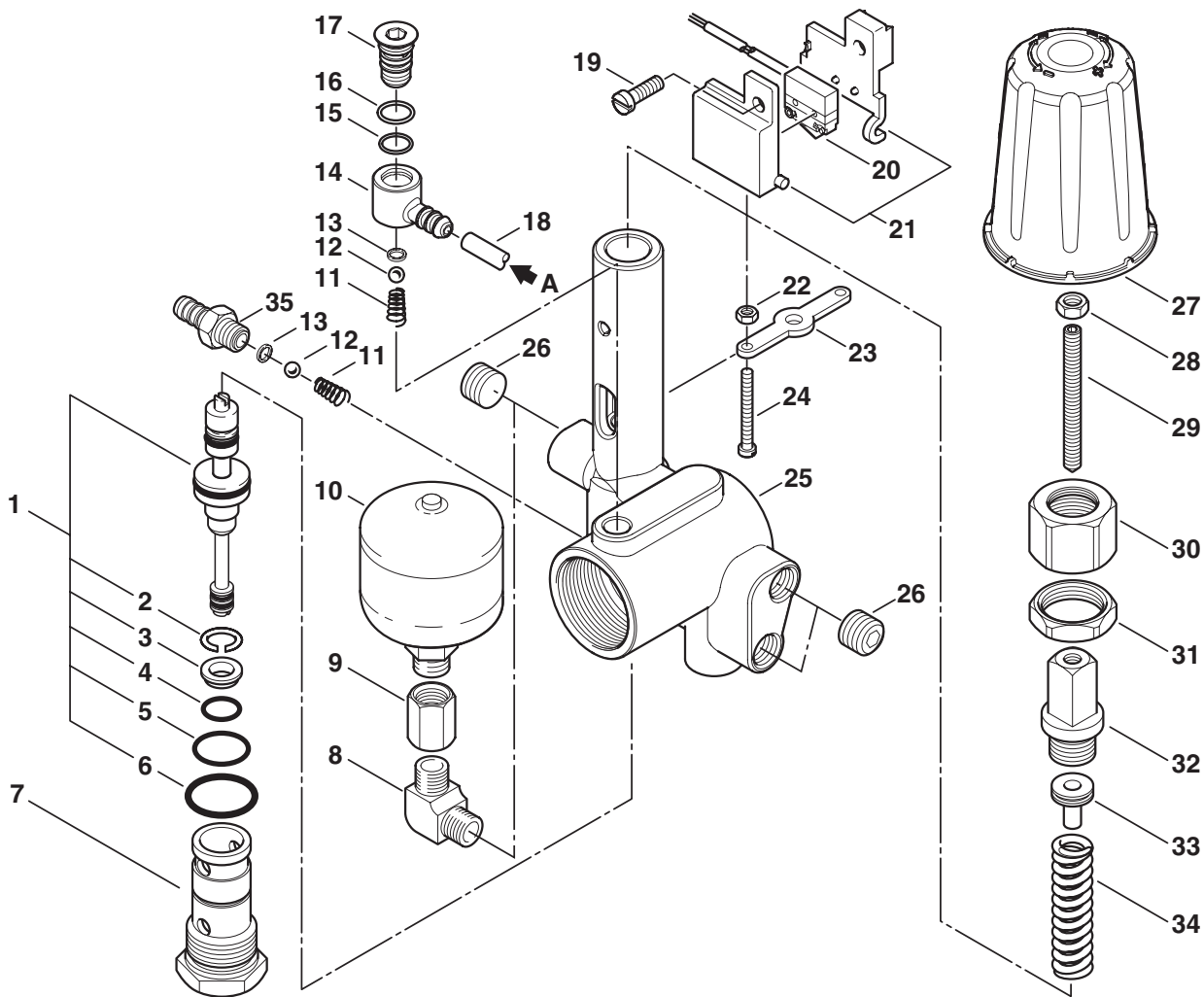
Pos.	No.	Description	Bezeichnung	Comment Bemerkung Bemærkning	Rec. Part POSEIDON 5
20	909100165	Packing Ring Ø8x17	Dichtring Ø8x17		3
21	301001139	Distance Spacer	Distanzscheibe		3
22	3001740	O-ring Ø7,66x1,78	O-Ring Ø7,66x1,78		3
23	49900	Supporting Ring Ø8x11x1	Stützring Ø8x11x1		3
24	301001156	Piston Rod	Kolbenstange		B 3
25	909100150	Fitting GE15LR 3/8"	Verschraubung GE15LR 3/8"		1
26	301001133	Hose Clamp Ø10/7	Schlauchklemme Ø10/7		1
43	301001148	Kit Piston Sealing Ø18	ET-Set Kolbendichtung Ø18	5-21, 5-28, 5-31, 5-43, 5-46, 5-51, 5-54, 5-58, 5-62 60Hz	A 1
43	301001149	Kit Piston Sealing Ø20	ET-Set Kolbendichtung Ø20	5-62 50Hz, 5-63	A 1
44	301001151	Kit Support Ring Ø18	ET-Set Stützring Ø18	5-21, 5-28, 5-31, 5-43, 5-46, 5-51, 5-54, 5-58, 5-62 60Hz	B 1
44	301001152	Kit Support Ring Ø20	ET-Set Stützring Ø20	5-62 50Hz, 5-63	B 1
45	301001150	Kit Oil Sealing	ET-Set Öldichtung		B 1
46	301001146	Kit Piston Ø18	ET-Set Keramikkolben Ø18	5-21, 5-28, 5-31, 5-43, 5-46, 5-51, 5-54, 5-58, 5-62 60Hz	C 1
46	301001147	Kit Piston Ø20	ET-Set Keramikkolben Ø20	5-62 50Hz, 5-63	C 1



POSEIDON5-106

Pos.	No.	Description	Bezeichnung	Comment Bemerkung Bemærkning	Rec. Part POSEIDON 5
1	64314	Repair Kit	Reparatursatz		B 1
2	909100001	Ring Ø14	Sprengring Ø14		1
3	62708	Valve Seat Ø8,5/Ø11,4/Ø13,9x4	Ventilsitz Ø8,5/Ø11,4/Ø13,9x4		1
4	49461	O-ring Ø11x1,5	O-Ring Ø11x1,5		1
5	9523	O-ring Ø17x1,5	O-Ring Ø17x1,5		1
6	32091	O-ring Ø21x2	O-Ring Ø21x2		1
7	64301	Hollow Screw M24x1.5	Hohlschraube M24x1,5		C 1
8	1618	Screw Assembly GL10 R1/4	Verschraubung GL10 R1/4	5-21, 5-51, 5-58, 5-63	1
9	63136	Socket M16x1,5	Muffe M16x1,5	5-21, 5-51, 5-58, 5-63	1
10	63090	Hydr. Accumulator 0,14 250bar	Hydrospeicher 0,14 250bar	5-21, 5-51, 5-58, 5-63	1
11	41132	Spring 0.3x4.7	Druckfeder 0,3x4,7		B 1
12	9580	Ball Ø5,5	Kugel Ø5,5		B 1
13	301001216	Gasket Seat Ø6,6xØ4x1,7	Dichtsitz Ø6,6xØ4x1,7		1
14	301001200	Ring bush ø7 ø12/11	Ringtülle ø7 ø12/11	=>28.12.2003	1
15	3001740	O-ring Ø7,66x1,78	O-Ring Ø7,66x1,78	=>28.12.2003	1
16	7424	O-ring 8,76x1,8	O-Ring 8,76x1,8	=>28.12.2003	1
17	301001199	Hollow screw M10x1	Hohlschraube M10x1	=>28.12.2003	1
↔ 18	5206636	Hose Ø6/Ø10	Schlauch Ø6/Ø10		1
19	3349	Screw M5x16	Zylinderschraube M5x16		1
20	301000952	End switch 250V 0,1A	Endschalter 250V 0,1A	with, mit electronics	B 1
20	301000953	End switch 250V 5A	Endschalter 250V 5A	without, ohne electronics	B 1
21	62401	Bracket	Halter		1
22	2759	Hexagon Nut M4	Sechskantmutter M4		1
23	62717	Contact Stud	Schaltfahne		1

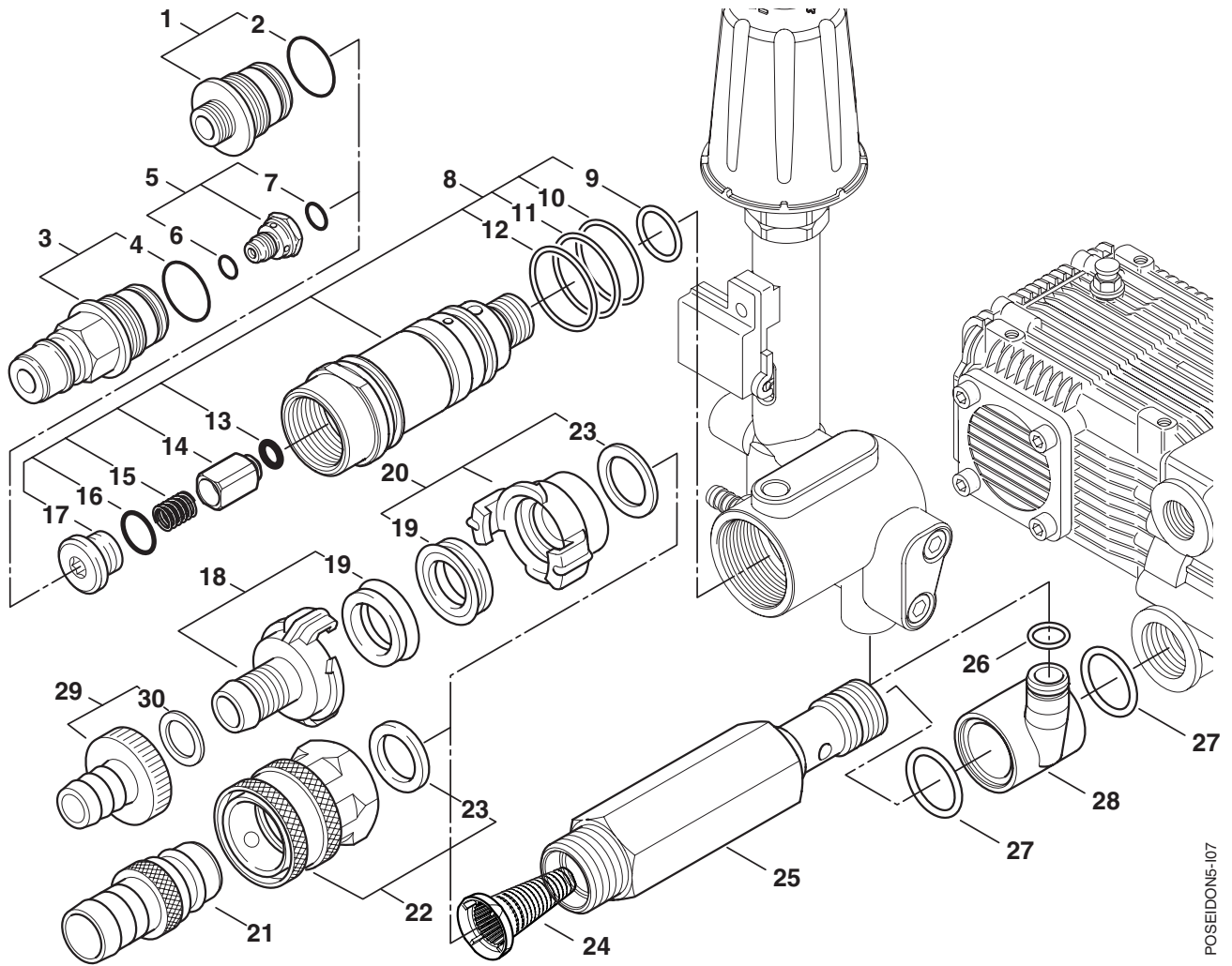
301001055 - 2006-03-23



POSEIDON5-106

Pos.	No.	Description	Bezeichnung	Comment Bemerkung Remarque Bemærkning	Rec. Part POSEIDON 5
24	5076	Screw M4x25	Zylinderschraube M4x25		1
25	301000787	Housing	Gehäuse		C 1
26	6262	Screw Plug R1/4"	Verschlusschraube R1/4"		3
27	301000804	Rotary-knob adjustment	Drehknopf		1
28	3136	Hexagon Nut M6	Sechskantmutter M6		1
29	62711	Set Screw M6x60	Gewindestift M6x60		1
30	62710	Union Nut M24x1,5x21	Überwurfmutter M24x1,5x21		1
31	62696	Hexagon Nut M24x1,5x6	Sechskantmutter M24x1,5x6		1
32	62712	Hollow Screw M16x1x9	Hohlschraube M16x1x9		1
33	62695	Spring Support	Federauflage		1
34	40972	Spring 3,5x10,5x54	Druckfeder 3,5x10,5x54		1
35	301001392	Hose Liner Ø8/M10x1	Schlauchtülle Ø8/M10x1	129.12.2003=>	1
	301000904	Control safety block 250bar	Regelsicherheitsblock 250bar		1

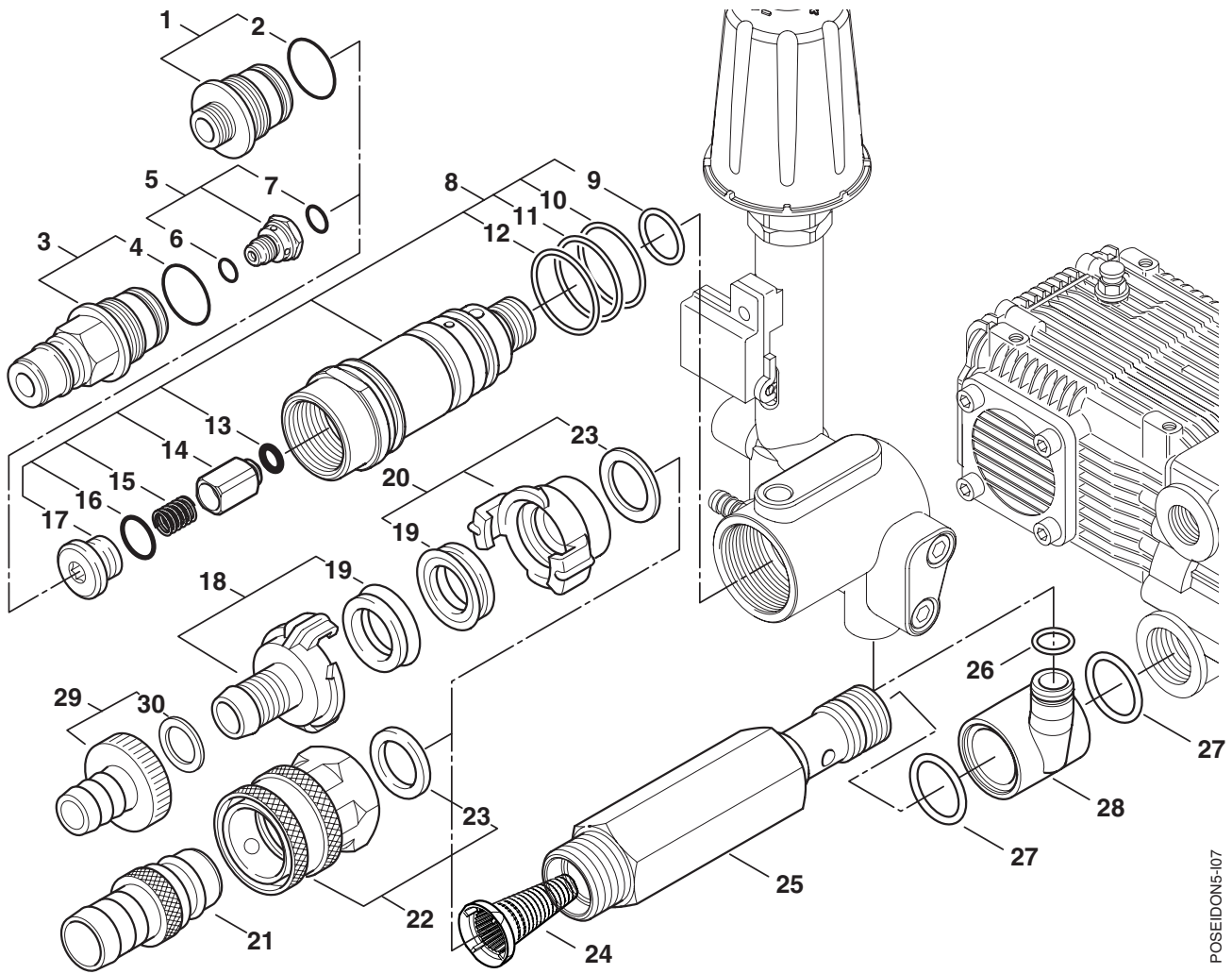




POSEIDON5-107

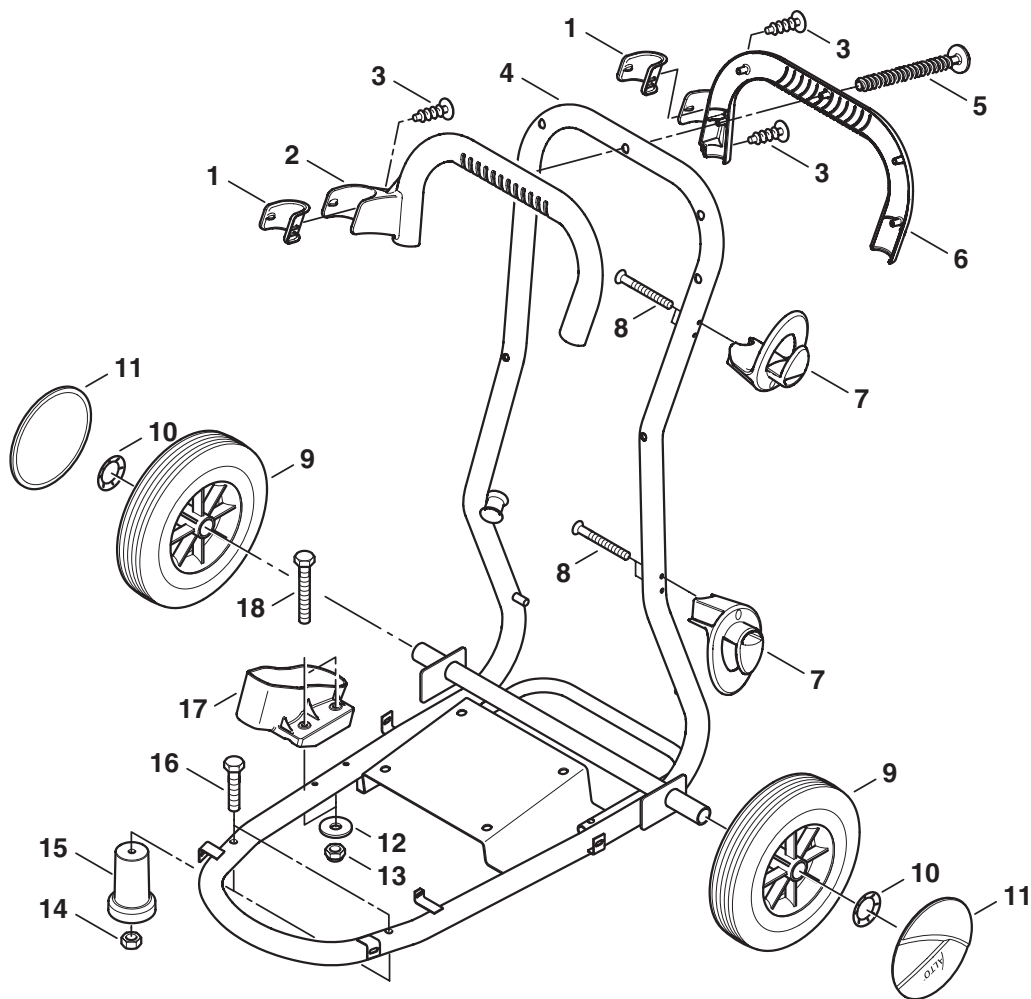
Pos.	No.	Description	Bezeichnung	Comment Bemerkung Bemærkning	Rec. Part POSEIDON 5
1	64224	Adapter HP connection M27x1,5/G3/8"	Adapter HD-Ausgang M27x1,5/G3/8"		1
2	32091	O-ring Ø21x2	O-Ring Ø21x2		1
3	64236	Converter M27x1,5	Konverter M27x1,5		1
4	32091	O-ring Ø21x2	O-Ring Ø21x2		1
5	62155	Injection nozzle ø1.8x2.6	Injektordüse ø1,8x2,6	5-21, 5-28, 5-31, 5-43	1
5	62156	Injection nozzle ø1.9x2.8	Injektordüse ø1,9x2,8	5-51, 5-54, 5-46, 5-58, 5-62	1
5	62157	Injection Nozzle Ø2x3	Injektordüse Ø2x3	5-63	1
6	16925	O-ring Ø8x2	O-Ring Ø8x2		1
7	1381	O-ring Ø14x2	O-Ring Ø14x2		1
8	64304	Hollow Screw	Hohlschraube		1
9	16443	O-ring Ø17x2	O-Ring Ø17x2		1
10	64307	O-ring Ø23,47x2,62	O-Ring Ø23,47x2,62		1
11	64306	O-ring Ø25,07x2,62	O-Ring Ø25,07x2,62		1
12	64305	O-ring Ø28,24x2,62	O-Ring Ø28,24x2,62		A 1
13	9858	O-ring Ø6x3	O-Ring Ø6x3		A 1
14	6187135	Piston Ø14,6	Kolben Ø14,6		1
15	14522	Spring 0,7x9,7x14,5	Druckfeder 0,7x9,7x14,5		B 1
16	16998	O-ring Ø14x1,5	O-Ring Ø14x1,5		C 1
17	64309	Plug M16x1	Stopfen M16x1		1
18	1311	GEKA Hose Coupling 3/4"	GEKA-Schlauchtülle 3/4"	=>31.01.2005l	1
19	6502	Moulded Gasket GEKA Coupling	Dichtung GEKA-Kuppl.	=>31.01.2005l	1
20	1718	GEKA Threaded Fitting 3/4" I	GEKA Gewindestück 3/4" I	=>31.01.2005l	1
21	1600659	Nipple	Nippel		1
21	1605872	Nipple Ø29x32	Nippel Ø29x32	*US*	1

301001055 - 2006-03-23



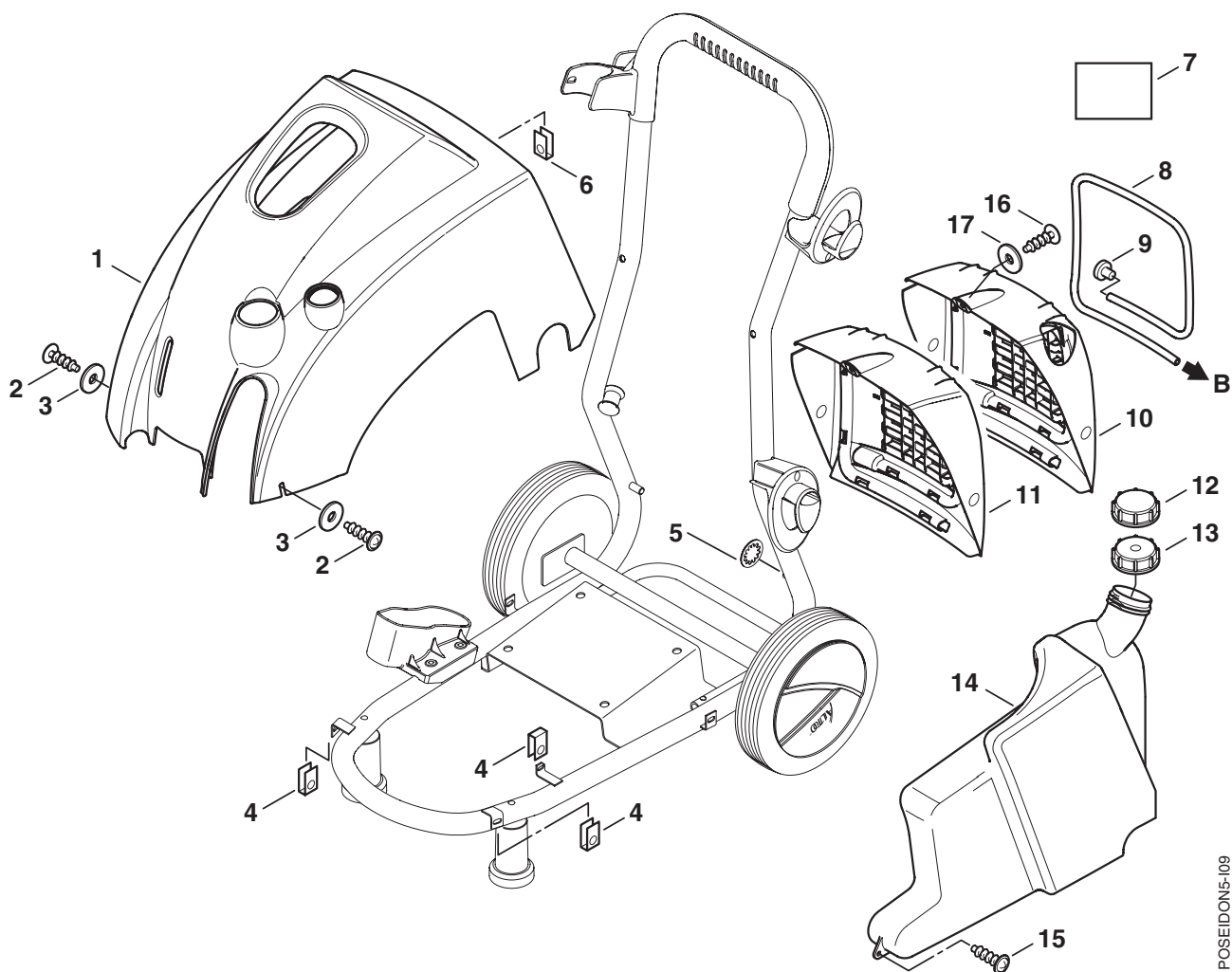
POSEIDON5-107

Pos.	No.	Description	Bezeichnung	Comment Bemerkung Bemærkning	Rec. Part POSEIDON 5
22	1602945	NITO Quick Coupling 3/4" L.P.	Kupplung Kpl. 3/4"		1
23	3001237	Packing Ring 24,5x16x3	Dichtring 24,5x16x3		1
24	301002394	Filter Ø21x36,5	Hutfilter Ø21x36,5		B 1
25	301000980	Hollow Screw G1/2-G3/4"	Hohlschraube G1/2-G3/4"		1
26	42768	O-ring Ø11,2x1,8	O-Ring Ø11,2x1,8		C 1
27	24347	O-ring Ø21x2,5	O-Ring Ø21x2,5		C 2
28	301000778	Return Line Ø30,9x34	Rücklauf Ø30,9x34		1
29	61369	Hose Nozzle Ø20R3/4"	Schlauchtülle Ø20R3/4"		1
30	46487	Packing Ring 21x29x2,5	Dichtring 21x29x2,5		1

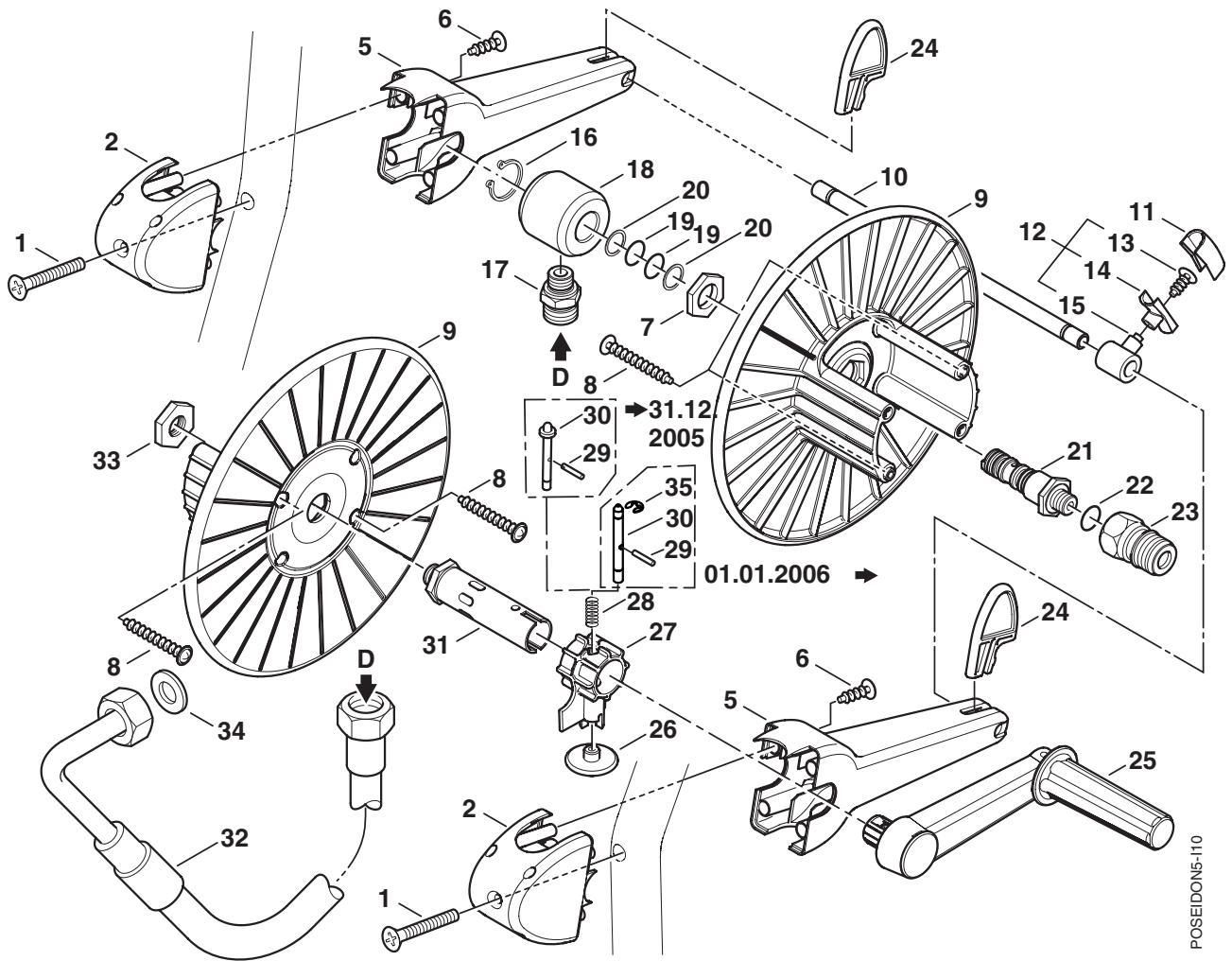


POSEIDON5-108

Pos.	No.	Description	Bezeichnung	Comment Bemerkung Remarque Bemærkning	Rec. Part POSEIDON 5
1	301000803	Plate-lance	Ablage		2
2	301000806	Front Handle Clamp	Griffschale Vorne		1
3	909100147	Screw 4x12	Schraube 4x12		3
4	301000762	Frame cpl.	Grundrahmen		1
5	909100187	Screw 4x25	Schraube 4x25		5
6	301000805	Rear Handle Clamp	Griffschale Hinten		1
7	301000808	Holder-cable	Halter		2
8	909100149	Screw 5x50	Schraube 5x50		4
9	301000989	Wheel Ø250x75	Rad Ø250x75		2
10	1813799	Spring Plate Washer	Federtellerscheibe		2
11	301001076	Wheel Cap Ø180	Radkappe Ø180		2
12	2766	Washer 6,4x1,6	Scheibe 6,4x1,6		2
13	11619	Hexagon Nut M6	Sechskantmutter M6		2
14	61467	Hexagon Nut M8	Sechskantmutter M8		2
15	301000979	Sustainer Ø62x94	Stützfuß Ø62x94		2
16	2756	Screw M8x45	Sechskantschraube M8x45		2
17	301000774	Holder-lance 160x100x65	Köcher		1
18	17749	Screw M6x45	Sechskantschraube M6x45		2



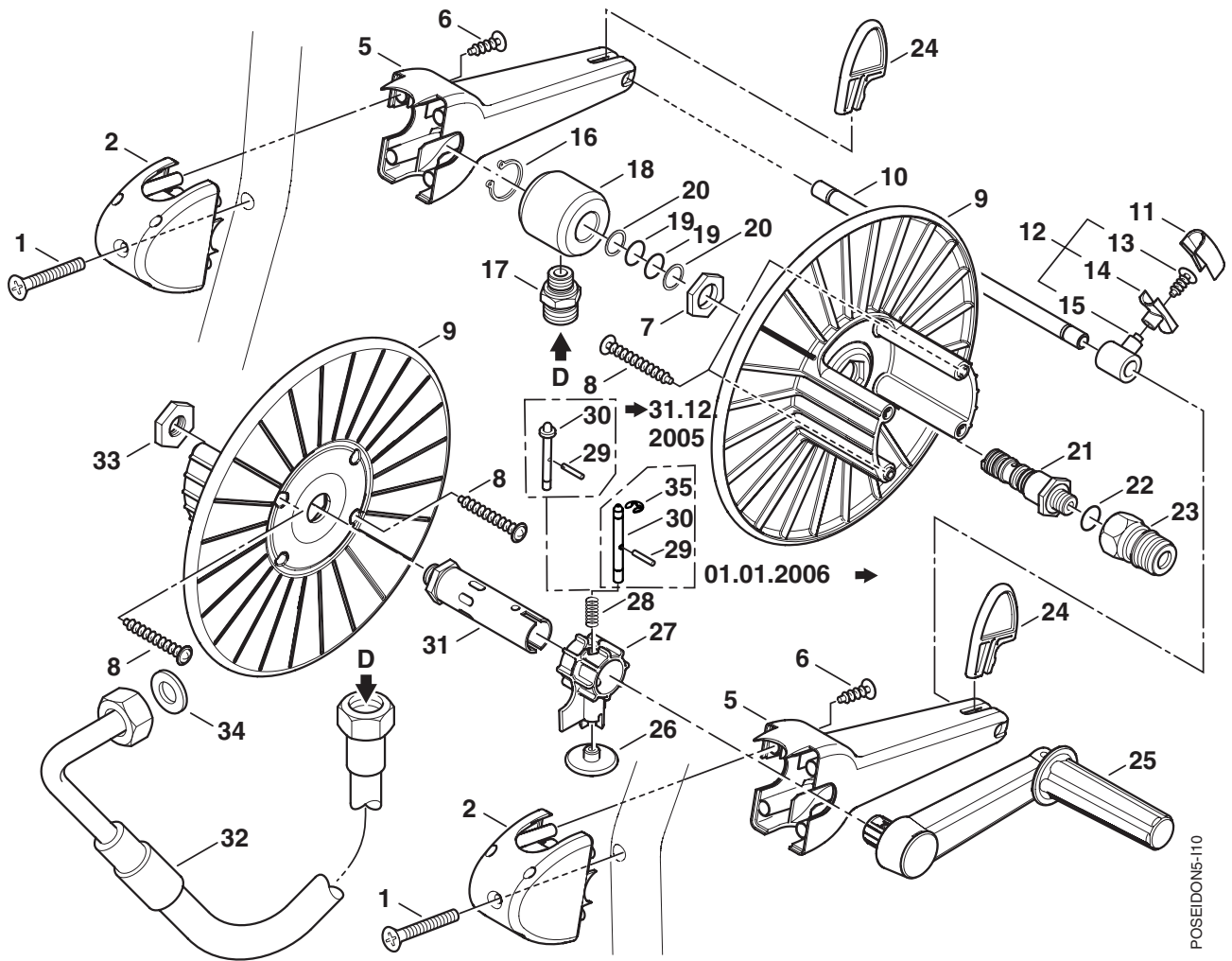
Pos.	No.	Description	Bezeichnung	Comment Bemerkung Bemærkning	Rec. Part POSEIDON 5
1	301000763	Cover blue POSEIDON 5	Haube POSEIDON 5		1
2	40107	Screw 4,8x13	Blechschaube 4,8x13		2
3	2763	Washer 5,3x1	Scheibe 5,3x1		2
4	63946	Spring Nut 4,8x3	Federmutter 4,8x3		3
5	5639	Clamping Ring Ø10x2	Klemmring Ø10x2		1
6	909100161	Spring nut 3,9x2,5	Federmutter 3,9x2,5		1
7	48083	Label "Warning"	Klebeschild HD-Strahl		1
↖	5206636	Hose Ø6/Ø10	Schlauch Ø6/Ø10		1
9	6400240	Filter	Filter		1
10	301000759	Rear Cover	Abdeckung hinten	on models with hose reel	1
11	301000838	Rear cover	Abdeckung hinten	on models without hose reel	1
12	80493	Cover-can ø65x22	Deckel		1
13	301001004	Cover-can ø65/13x22	Deckel Gebohrt Ø13		1
14	301000761	Tank-chemicals	Behälter		1
15	40107	Screw 4,8x13	Blechschaube 4,8x13		1
16	30776	Screw 3,9x16	Blechschaube 3,9x16		1
17	24353	Washer 4,3x1	Scheibe 4,3x1		1



POSEIDON 5-110

Pos.	No.	Description	Bezeichnung	Comment Bemerkung Bemærkning	Rec. Part POSEIDON 5
1	909100154	Screw M6x45	Linsensenkschraube M6x45		2
2	301000809	Holder hose-reel	Halter		2
5	301000929	Bracket 224x94x60	Halter 224x94x60		2
6	1814641	Screw 5x30	Schraube 5x30		4
7	62696	Hexagon Nut M24x1,5x6	Sechskantmutter M24x1,5x6		1
8	909100153	Screw 6x40	Schraube 6x40		4
9	301000775	Hose Drum Section	Schlauchtrommel-hälfte		2
10	301000987	Guide Pipe Ø12x295	Führungsrohr Ø12x295		1
11	301000674	Hose Guide Section Upper	Schlauchführung Oberteil		1
12	301000780	Hose Guide 70x40	Schlauchführung 70x40		1
13	10028	Screw 5x14	Schraube 5x14		1
14	301000676	Hose Guide Section Lower	Schlauchführung Unterteil		1
15	301000672	Hose Guide Sleeve 33,2x27x20	Lagerbock 33,2x27x20		1
16	32524	Retaining Ring 20x1,2	Sicherungsring 20x1,2		1
17	54590	Fitting XGE12L/1/4NPT	Verschraubung XGE12L/1/4NPT		1
18	301000977	Bearing Bush	Lagerbuchse		1
19	19620	O-ring Ø15,54x2,62	O-Ring Ø15,54x2,62		C 2
20	63792	Supporting Ring Ø16,26x2,18	Stützring Ø16,26x2,18		C 2
21	301000976	Hollow Screw G3/8"	Hohlschraube G3/8"		1
22	1801075	Packing Ring Ø23,8xØ17,2x2	Dichtring Ø23,8xØ17,2x2		C 1
23	1600493	Nipple 3/8"	Nippel 3/8" für Schnellkupplung		1
24	301000927	Bracket 64x40x9	Halter 64x40x9		2
25	301000733	Crank 190x175x45	Kurbel 190x175x45		1
26	301001008	Knob ø40x18 M6	Pilzgriff		1
27	301001010	Housing-engage	Gehäuse		1

301001055 - 2006-03-23



Pos.	No.	Description	Bezeichnung	Comment Bemerkung Bemærkning	Rec. Part POSEIDON 5
28	909100151	Spring-pressure 1x9x19	Druckfeder		1
29	16067	Pin 3x14	Spannstift 3x14		1
30	301001009	Indexing Bolt Ø12x60	Rastbolzen Ø12x60		1
31	301001007	Axle Ø28x116	Achse Ø28x116		1
32	301001092	HP Hose Ø8x1175	HD-Schlauch Ø8x1175		1
33	909100145	Hexagon Nut 6kt/G 3/8"x6	Mutter 6kt/G 3/8"x6		1
34	65466	Packing Ring 8x15x1	Dichtring 8x15x1		1
35	1806538	Retaining washer ø5	Sicherungsscheibe ø5	101.01.2006=>	1



# Nilfisk ALTO

*Why Compromise*

[www.nilfisk-alto.com](http://www.nilfisk-alto.com)

## HEADQUARTER

### DENMARK

Nilfisk-Advance Group  
Sognevej 25  
2605 Brøndby  
Denmark  
Tel.: (+45) 43 23 81 00  
Fax: (+45) 43 43 77 00  
E-mail: [mail@nilfisk-advance.dk](mailto:mail@nilfisk-advance.dk)

## SALES COMPANIES

### AUSTRALIA

Nilfisk-ALTO  
48 Egerton St.  
PO box 6046  
Silverwater NSW 2128  
Australia  
Tel.: (+61) 2 8748 5966  
Fax: (+61) 2 8748 5960

### AUSTRIA

Nilfisk-Advance GmbH  
Nilfisk-ALTO  
Metzgerstrasse 68  
A-5101 Bergheim bei Salzburg  
Tel.: (+43) 662 456 400-0  
Fax: (+43) 662 456 400-34  
E-mail: [info@nilfisk-alto.at](mailto:info@nilfisk-alto.at)  
[www.nilfisk-alto.at](http://www.nilfisk-alto.at)

### CANADA

Clarke Canada  
Part of the Nilfisk-Advance Group  
4080 B Sladeview Crescent, Unit 1  
Mississauga, Ontario L5L 5Y5  
Canada  
Tel.: (+1) 905 569 0266  
Fax: (+1) 905 569 8586

### CZECH REPUBLIC

ALTO Česká republika s.r.o.  
Zateckých 9  
14000 Praha 4  
Czech Republic  
Tel.: (+420) 24 14 08 419  
Fax: (+420) 24 14 08 439  
E-mail: [info@alto-cz.com](mailto:info@alto-cz.com)

### DENMARK

Nilfisk-ALTO  
Division of Nilfisk-Advance A/S  
Industrivej 1  
9560 Hadsund  
Denmark  
Tel.: (+45) 72 18 21 00  
Fax: (+45) 72 18 21 11  
E-mail: [salg@nilfisk-alto.dk](mailto:salg@nilfisk-alto.dk)  
E-mail: [service@nilfisk-alto.dk](mailto:service@nilfisk-alto.dk)  
[www.nilfisk-alto.dk](http://www.nilfisk-alto.dk)

Nilfisk-ALTO Food Division  
Division of Nilfisk-Advance A/S  
Blytækkervej 2,  
9000 Aalborg  
Denmark  
Tel.: (+45) 72 18 21 00  
Fax: (+45) 72 18 20 99  
E-mail: [scanio.technology@nilfisk-alto.dk](mailto:scanio.technology@nilfisk-alto.dk)  
[www.nilfisk-alto.com](http://www.nilfisk-alto.com)

### FRANCE

Nilfisk-ALTO  
ALTO France SAS  
Aéroparc 1, 19 rue Icare  
67960 Entzheim  
France  
Tel.: (+33) 3 88 28 84 00  
Fax: (+33) 3 88 30 05 00  
E-mail: [info@nilfisk-alto.fr](mailto:info@nilfisk-alto.fr)  
[www.nilfisk-alto.com](http://www.nilfisk-alto.com)

### GERMANY

Nilfisk-ALTO  
Division of Nilfisk-Advance AG  
Guido-Oberdorfer-Str. 10  
89287 Bellenberg  
Germany  
Tel.: (+49) (0) 180 5 37 37 37  
Fax: (+49) (0) 180 5 37 37 38  
E-mail: [info@nilfisk-alto.de](mailto:info@nilfisk-alto.de)  
[www.nilfisk-alto.de](http://www.nilfisk-alto.de)

### GREECE

Nilfisk-Advance SA  
8, Thoukididou str.  
164 52 Argiroupolis  
Greece  
Tel.: (+30) 210 96 33443  
Fax: (+30) 210 96 52187  
E-mail: [nilfisk-advance@clean.gr](mailto:nilfisk-advance@clean.gr)

### HOLLAND

Nilfisk-ALTO  
Division of Nilfisk-Advance BV  
Camerastraat 9  
NL-1322 BB Almere  
Tel.: (+31) 36 5460 760  
Fax: (+31) 36 5460 761  
E-mail: [info@nilfisk-alto.nl](mailto:info@nilfisk-alto.nl)  
[www.nilfisk-alto.nl](http://www.nilfisk-alto.nl)

### HONG KONG

Nilfisk-Advance Ltd.  
2001 HK Worsted Mills Ind'l Bldg.,  
31-39 Wo Tong Tsui St.  
Kwai Chung, Hong Kong  
Tel.: (+852) 2427 5951  
Fax: (+852) 2487 5828

### HUNGARY

Nilfisk-Advance Kereskedelmi Kft.  
II. Rákóczi Ferenc út 10  
2310 Szigetszentmiklos-Lakihegy  
Hungary  
Tel.: (+36) 24 475 550  
Fax: (+36) 24 475 551  
E-mail: [info@nilfisk-advance.hu](mailto:info@nilfisk-advance.hu)  
Sales: [ertesites@nilfisk-advance.hu](mailto:ertesites@nilfisk-advance.hu)  
Service: [service@nilfisk-advance.hu](mailto:service@nilfisk-advance.hu)  
[www.nilfisk-advance.hu](http://www.nilfisk-advance.hu)

### ITALY

Nilfisk-ALTO  
Divisione di Nilfisk-Advance A/S  
Località Novella Terza  
26862 Guardamiglio (LO)  
Italy  
E-mail: [d.puglia@nilfisk-advance.it](mailto:d.puglia@nilfisk-advance.it)

### JAPAN

Nilfisk-Advance, Inc.  
1-6-6 Kita-shinyokohama, Kouhoku-ku,  
Yokohama, 223-0059  
Japan  
Tel.: (+81) 45 548 2571  
Fax: (+81) 45 548 2541

### MALAYSIA

Nilfisk-Advance Sdn Bhd  
Sd 14, Jalan KIP 11  
Taman Perindustrian KIP  
Sri Damansara

52200 Kuala Lumpur  
Malaysia  
Tel.: (+60) 3 603 6275 3120  
Fax: (+60) 3 603 6274 6318

### NORWAY

Nilfisk-Advance AS  
Bjørnerudveien 24  
1266 Oslo  
Norway  
Tel.: (+47) 22 75 17 70  
Fax: (+47) 22 75 17 71  
E-mail: [info@nilfisk-alto.no](mailto:info@nilfisk-alto.no)  
[www.nilfisk-alto.no](http://www.nilfisk-alto.no)

### PEOPLE'S REPUBLIC OF CHINA

Nilfisk-Advance (Shenzhen) Ltd  
Block 3, Unit 130, 1001 Honghua Road  
Int. Commercial & Trade Center  
Futian Free Trade Zone  
518038 Shenzhen P.R. China  
Tel.: (+86) 755 8359 7937  
Fax: (+86) 755 8359 1063

### POLAND

Nilfisk-Advance Sp. Z.O.O.  
05-800 Pruszków  
ul. 3-go MAJA 8  
Poland  
Tel.: (+48) 22 738 37 50  
Fax: (+48) 22 738 37 51  
[info@nilfisk-alto.pl](mailto:info@nilfisk-alto.pl)  
[www.nilfisk-alto.pl](http://www.nilfisk-alto.pl)

### PORTUGAL

Nilfisk-ALTO  
Division of Nilfisk-Advance Lda  
Sintra Business Park  
Zona Industrial da Abrunheira  
Edificio 1, 1º A  
P-2710-089 Sintra  
Tel.: (+35) 808 200 537  
Fax: (+35) 121 911 2679  
E-mail: [mkt@nilfisk-advance.es](mailto:mkt@nilfisk-advance.es)  
[www.nilfisk-alto.com](http://www.nilfisk-alto.com)

### RUSSIA

Nilfisk-Advance LLC  
127015 Moskow  
Vyatskaya str. 27, bld. 7  
Russia  
Tel.: (+7) 495 783 96 02  
Fax: (+7) 495 783 96 03  
E-mail: [info@nilfisk-advance.ru](mailto:info@nilfisk-advance.ru)

### SINGAPORE

Nilfisk-Advance Pte. Ltd.  
Nilfisk-ALTO Division  
40 Loyang Drive  
Singapore 508961  
Tel.: (+65) 6 759 9100  
Fax: (+65) 6 759 9133  
E-mail: [sales@nilfisk-advance.com.sg](mailto:sales@nilfisk-advance.com.sg)

### SPAIN

Nilfisk-ALTO  
Division of Nilfisk-Advance S.A.  
Torre D'Ara  
Paseo del Rengle, 5 Pl. 10  
E-08302 Mataró  
Tel.: (+34) 902 200 201  
Fax: (+34) 93 757 8020  
E-mail: [mkt@nilfisk-advance.es](mailto:mkt@nilfisk-advance.es)  
[www.nilfisk-alto.com](http://www.nilfisk-alto.com)

### SWEDEN

ALTO Sverige AB  
Member of Nilfisk-Advance Group  
Aminogatan 18, Box 4029  
S-431 04 Mölndal  
Sweden  
Tel.: (+46) 31 706 73 00

Fax: (+46) 31 706 73 40  
E-mail: [info@nilfisk-alto.se](mailto:info@nilfisk-alto.se)  
[www.nilfisk-alto.se](http://www.nilfisk-alto.se)

### TAIWAN

Nilfisk-Advance Taiwan Branch  
No. 5, Wan Fang Road  
Taipei  
Taiwan, R.O.C.  
Tel.: (+886) 227 002 268  
Fax: (+886) 227 840 843

### THAILAND

Nilfisk-Advance Co. Ltd.  
89 Soi Chokechai-Ruammitr  
Viphavadee-Rangsit Road  
Ladyao, Jatuchak, Bangkok 10900  
Thailand  
Tel.: (+66) 2 275 5630  
Fax: (+66) 2 691 4079

### UNITED KINGDOM

Nilfisk-ALTO  
Division of Nilfisk-Advance Ltd.  
Bowerbank Way  
Gilwilly Industrial Estate  
Penrith Cumbria CA11 9BQ  
Great Britain  
Tel.: (+44) (0) 1768 868995  
Fax: (+44) (0) 1768 864713  
E-mail: [sales@nilfisk-alto.co.uk](mailto:sales@nilfisk-alto.co.uk)  
[www.nilfisk-alto.co.uk](http://www.nilfisk-alto.co.uk)

### VIETNAM

Nilfisk-Advance Representative Office  
No. 46 Doc Ngu Str.  
Ba Dinh Dist.  
Hanoi  
SR. Vietnam  
Tel.: (+84) 4 761 5642  
Fax: (+84) 4 761 5643  
E-mail: [nilfisk@vnn.vn](mailto:nilfisk@vnn.vn)

### USA

ALTO Cleaning Systems Inc.  
Part of the Nilfisk-Advance Group  
12249 Nations Ford Road  
Pineville, NC 28134 USA  
Tel.: (+1) 704 971 1240  
Fax: (+1) 704 971 1241  
E-mail: [info@altocsi.com](mailto:info@altocsi.com)

Clarke  
2100 Highway 265  
Springdale, AR 72764  
USA  
Tel.: (+1) 479 750 8450  
Fax: (+1) 479 750 4540  
E-mail: [customerservice@clarkeus.com](mailto:customerservice@clarkeus.com)  
[www.ClarkeUS.com](http://www.ClarkeUS.com)

Clarke American Sanders  
2100 Highway 265  
Springdale, AR 72764  
USA  
Tel.: (+1) 479 750 1000  
Fax: (+1) 479 750 4540  
E-mail: [customerservice@americansanders.com](mailto:customerservice@americansanders.com)  
[www.AmericanSanders.com](http://www.AmericanSanders.com)

American Lincoln  
1100 Haskins Road  
Bowling Green, OH 43402  
USA  
Tel.: (+1) 419 352 7511 option 2  
Fax: (+1) 419 373 4221  
E-mail: [customerservice@americanlincoln.com](mailto:customerservice@americanlincoln.com)  
[www.AmericanLincoln.com](http://www.AmericanLincoln.com)