

# PARTS LIST

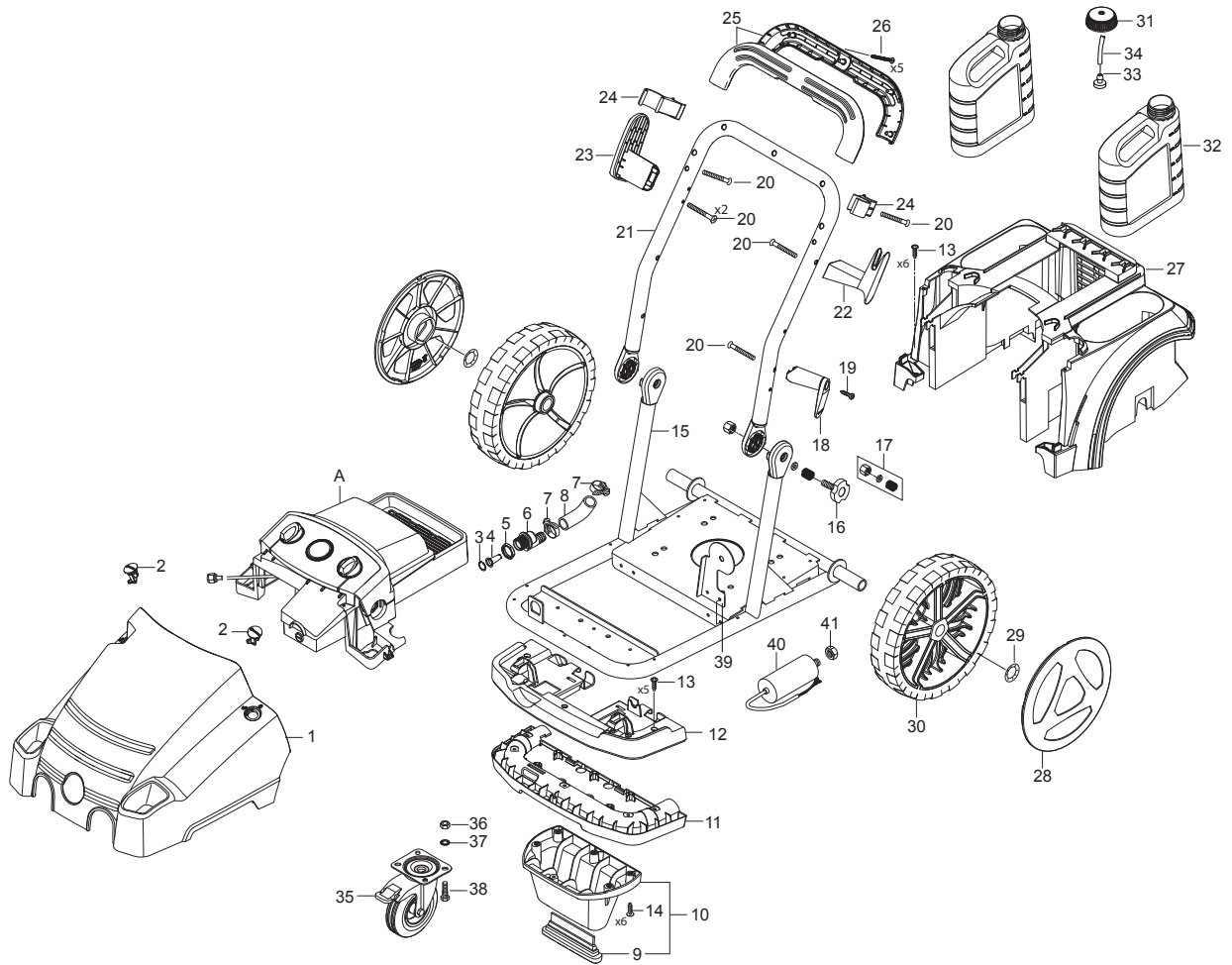
---

2021.12.07

# TABLE OF CONTENTS

---

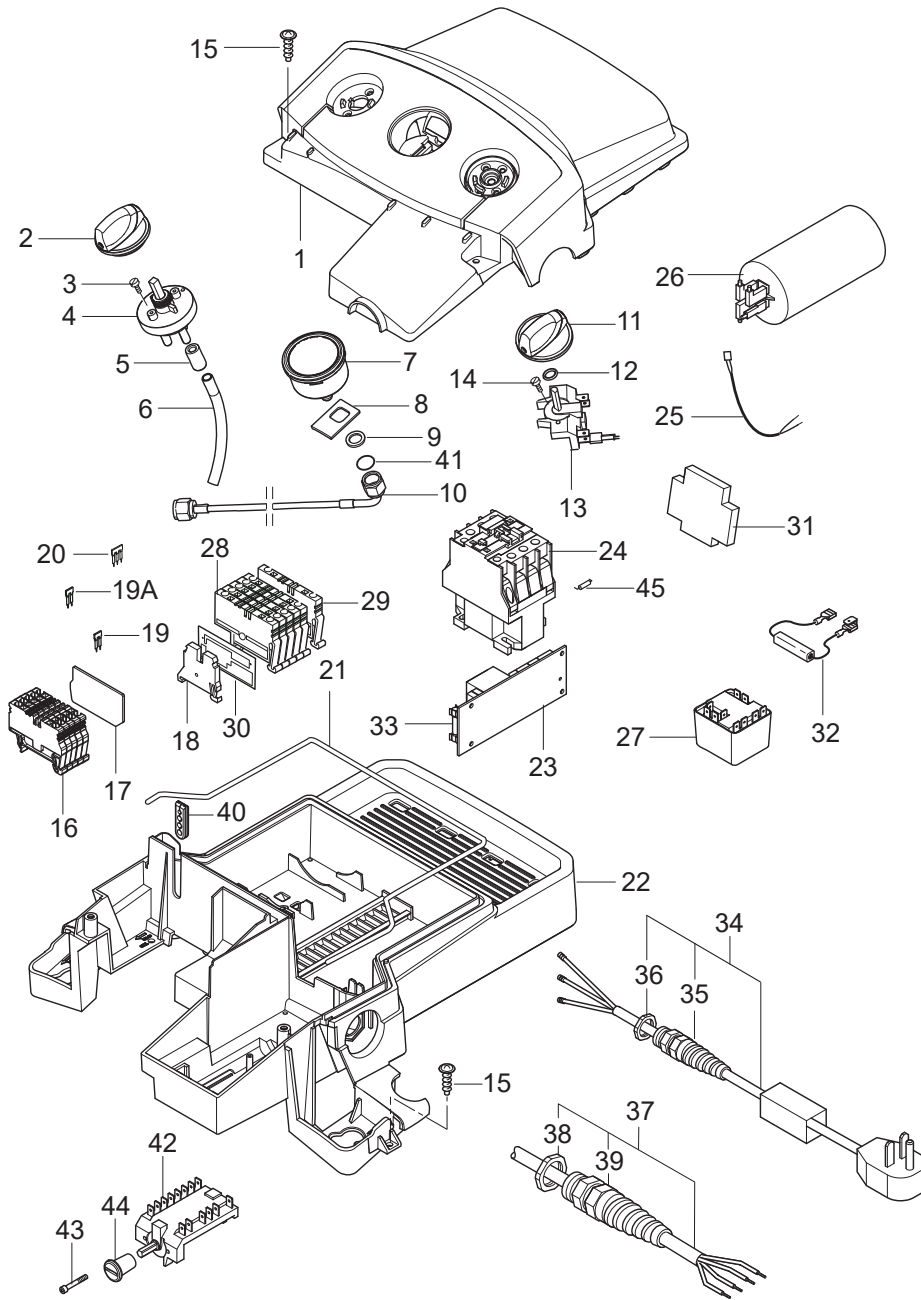
Overview .....1  
Electric box .....3  
Motor .....5  
Cylinder Block .....7  
Water Flow Regulation .....9  
Outlet Fitting .....11



No.	Part No.	Qty.	Description	Part Note
A		1	Electric box	[1]
1	107141603	1	CABINET FRONT NILFISK MC 7P	
2	301001261	2	LOCKING BOLT D29X35	
3	107141667	1	LOCK WASHER	
4	101117926	1	FILTER	
5	1800341	1	LOCK NUT 3/4IN	
6	107141669	1	WATER INLET PIPE C3	
7	23221	2	HOSE CLAMP 20-32	
8	107141671	1	RUBBER ELBOW C3	
9	107141615	1	RUBBER FOOT	
10	101118100	1	FRONT FOOT FOR POSEIDON KIT	
11	107141617	1	BUMPER BOTTOM	
12	107141618	1	BUMPER TOP	
13	107141690	5	SCREW M5X12 DIN7985 TORX TAPTITE	
14	107141838	6	SCREW K50X18 WN1451 BLACK TORX20	
15	107141620	1	FRAME NA5	
16	107141672	2	GRIB FOR FOLDABLE HANDLE	
17	101118104	2	SPRING AND LOCK NUT KIT	
18	107141625	1	CABLE HOOK MOVABLE BLACK	
19	107141838	1	SCREW K50X18 WN1451 BLACK TORX20	
20	107141627	10	SCREW K50X40 T20	
21	107141623	1	FRAME HANDLE	
22	107141632	1	CABLE HOOK	
23	107141629	1	HOSE HOOK	
24	107141630	1	LANCE HOLDER NA	
25	101118101	1	HANDLE KIT	
26	909100148	5	SCREW K40X30 WN 1452	
27	107141634	1	REAR END	
28	107145780	2	WHEEL CAP FOR WHEEL Ø300X65 - NILFISK	
29	46363	2	CLAMPING RING D25	
30	107145637	2	WHEEL D300X65	
31	107141664	2	CAP FOR DETERGENT TANK	
32	107141635	2	DETERGENT BOTTLE 2.5 L	
33	6400240	1	CHEMICAL FILTER	
34	106408243	1	HOSE 1/4INCH TRANSPARENT - 5 METERS	
35	107141607	1	WHEEL W. BRAKE D125	
36	1800515	4	LOCK NUT M8 - 8 A2K DIN 985	
37	1800796	4	WASHER M8	
38	2753	4	HEX. SCREW M8X20 ISO 4017 ZN	
39	107141611	1	PLATE FOR CAPACITOR	
40	107142636	1	CAPACITOR 140UF 400/450V RP-2 WIRE=995MM	
41	2761	1	HEXAGON NUT M12	[2]
NS	107140982	1	10 PCS OF BOXES FOR PACKAGING	

Part Notes:

- [1] - Electric box
- [2] - STOCK COVERS GUARANTEE



No.	Part No.	Qty.	Description	Part Note
1	107141645	1	E-BOX TOP F. 2-POS SWITCH AND DET. BLACK	
2	909100214	1	ROTARY KNOB GR.1 4KT. 6X6+8X8 BLUE	
3	1814730	2	SCREW 35X10B W1423	
4	301001000	1	VALVE 51X70	
5	301001906	1	CLOSING CAP D12X21.5	
6	106408243	1	HOSE 1/4INCH TRANSPARENT - 5 METERS	
7	107141648	1	MANOMETER 0-300 BAR	
8	107141650	1	PLATE FOR MANOMETER	
9	107141651	1	WASHER M12 13X24X2.5 A2 DIN125	
10	107141653	1	MANOMETER TUBE FA MODELS	
11	909100204	1	ROTARY KNOB 6X5 ALTO BLUE	
12	9868	1	O-RING 10.2X2.5 NBR 70SH	
13	28877	1	SWITCH 10A 400V AC	
14	18274	1	COUNTERSUNK SCREW M4X12	
15	107141838	6	SCREW K50X18 WN1451 BLACK TORX20	
16	107318193	1	END BRACKET FOR DIN-RAIL	
17	107307355	5	TERMINAL BLOCK PDU 2.5/4	
18	107307354	1	END PLATE PAP 2.5/4	
19	107142645	1	CROSS CONNECTOR - ZQV 6/2 GE	
19A	107318195	1	CROSS CONNECTOR 2.5/2-POL	
20	107142644	1	CROSS CONNECTOR - ZQV 6/3 GE	
21	101406054	1	SPONGE RUBBER Ø 4 1M	
22	107141654	1	E-BOX BOTTOM DRILLED /CABLE/	[1]
22	107141706	1	E-BOX BOTTOM DRILLED CABLE AND SWITCH	[2]
23	107141666	1	PCB POSEIDON 5-6-7	
24	63915	1	CONTACT 100-C30KF10 230	[2]
24	103822314	1	CONTACTOR CJX2-D32 32A 230V 3P+NO	[1]
25	107141656	1	PCB WIRE FOR B4	
25	107141796	1	PCB WIRE FOR SUCTION MODE	[3]
26	107142637	1	CAPACITOR 100UF 400/450V RP-2 WIRE=160MM	
27	107142640	1	START RELAY MC 5/6/7 230V (RVAH 2AC OC)	
28	107318191	5	TERM.BLOCK PUSH IN P-SER.PDU 6/10	
29	107318192	1	TERM.BLOCK PE PUSH IN P-SER.PPE6/10	
30	107318238	1	END PLATE PAP 6/10	
31	64773	1	AUXILIARY CONTACT 100-SBL11	
32	107141730	1	DISCHARGE RESISTOR 15KOHM/7W	
33	301000263	1	FUSE 0.63A/500AT Ø 6.	
34	107142632	1	POWER CORD SOW 3G10 AWG NEMA 6-30P 11M	[1]
35	909100020	1	HEXAGON THIN NUT M25X1.5 EN 50262 PA	[1]
36	909100198	1	SCREWED CABLE GLAND M25X1.5	[1]
37	107142633	1	POWER CORD SOW 4G10 AWG 11M	[4]
38	909100021	1	HEXAGON NUT M32X1.5	[4]
39	909100016	1	CABLE SCREWING W. ANTIBUC.	[4]
40	107141663	1	RUBBER GROMMET	
41	31000508	1	O-RING NBR	
42	301000293	1	SWITCH START/TRIANGLE 16	
43	101117739	2	SCREW HEX M4X22-8.8 A2K DIN912	
44	64580	1	ROTARY KNOB	
45	301000074	1	RESISTOR 470 OHM 3W	

## Part Notes:

- [1] - MC 7P-2300
- [2] - MC7P-2800
- [3] - S1 to X8 – “suction mode wire”
- [4] - MC 7P 2800

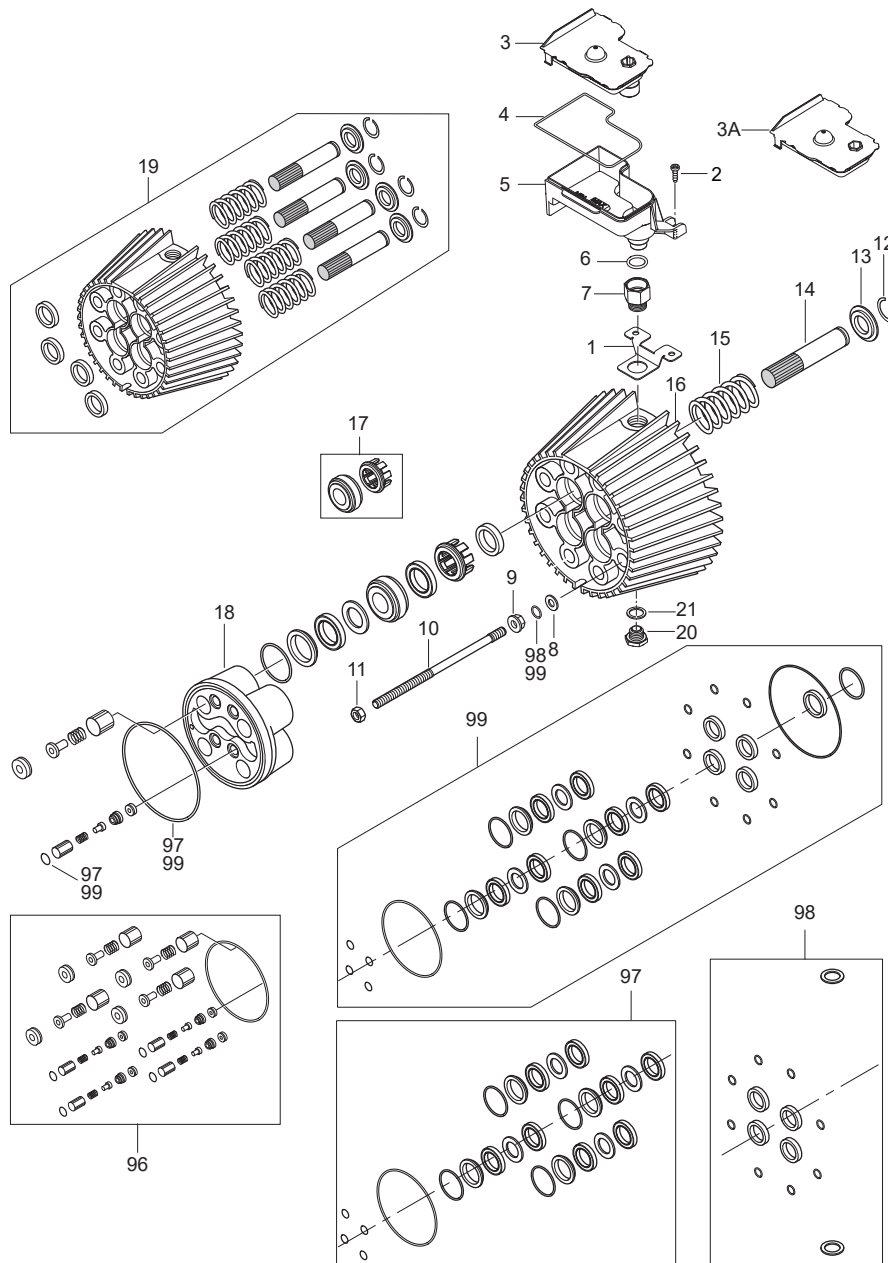


No.	Part No.	Qty.	Description	Part Note
	31001229	1	OIL ISO 150 ALPHASYN-T 20L	
0	5218433	1	PUMP OIL 150 1X1 1L	
1	107120751	1	MOTOR 6.5KW 440 220 3 60	[1]
1	107142626	1	MOTOR C3 - 5.2KW/230V/60HZ/1PH	[2]
2	1802503	1	LOCK RING FAN WHEEL	
3	107142275	1	FAN INCL. LOCK RING	
4	107142276	1	COVER FOR FAN	
5	101814693	2	SCREW M4X 8 EE DIN 7500 A2	
6	7302028	1	SOCKET	
7	6100712	1	STAY BOLT L306MM	[3]
8	1801182	4	SPRING WASHER M8	
9	107142277	1	REAR BEARING COVER	
10	31000149	1	REAR BEARING 6306 2Z C3 150 DEGREES RF	
11	3200672	1	TONGUE 6X6X32 A DIN 6885 ST	
12	107140615	1	FRONT BEARING COVER COMPLETE	
13	6301368	8	STUDS	
14	6100995	1	WASHER	
15	6100996	1	GUIDE PIN	
16	107120703	1	BEARING TRACK	
17	3200656	1	NEEDLE BEARING INA K 40X46X17	
18	3200615	2	AXIAL ROLLER BEARING	
19	107120710	1	WOBBLE DISC 6	[4]
19	107120708	1	WOBBLE DISC 4	[5]
20	1802511	1	CIRCLIP 28X1.5 DIN471A	
21	3200664	1	NEEDLE BEARING	
22	107120704	1	BEARING TRACK	[6]
23	107142071	2	MOTOR BRACKET C3 POSEIDON 7	
24	107140908	4	SPECIAL SCREW M10X20 F. C3 BRACKET SPARE	
25	10204	8	SERRATED LOCK WASHER A10	
26	1800465	4	NUT M10 DIN 934	
27	1801133	4	SCREW M10X25 ISO4017 ZN	
28	107140942	1	BRACKET WITH LEAD-IN	
98	1119820	1	OIL SEAL 03/C3 REP.KIT	
99	1119570	1	GASKETS C3 REP.KIT	

## Part Notes:

- [1] - MC 7P-2800/5.5 FA 230-460/3/60 US
- [2] - MC 7P-2300/5.0 FA 230/1/60/30 US
- [3] - STOCK COVERS GUARANTEE
- [4] - TSB-PPW-2019-007 C3 NA6 Wobble Disc and Bearing Track surface hardening change
- MC 7P-2800/5.5 FA 230-460/3/60 US
- [5] - TSB-PPW-2019-007 C3 NA6 Wobble Disc and Bearing Track surface hardening change  
MC 7P-2300/5.0 FA 230/1/60/30 US
- [6] - TSB-PPW-2019-007 C3 NA6 Wobble Disc and Bearing Track surface hardening change





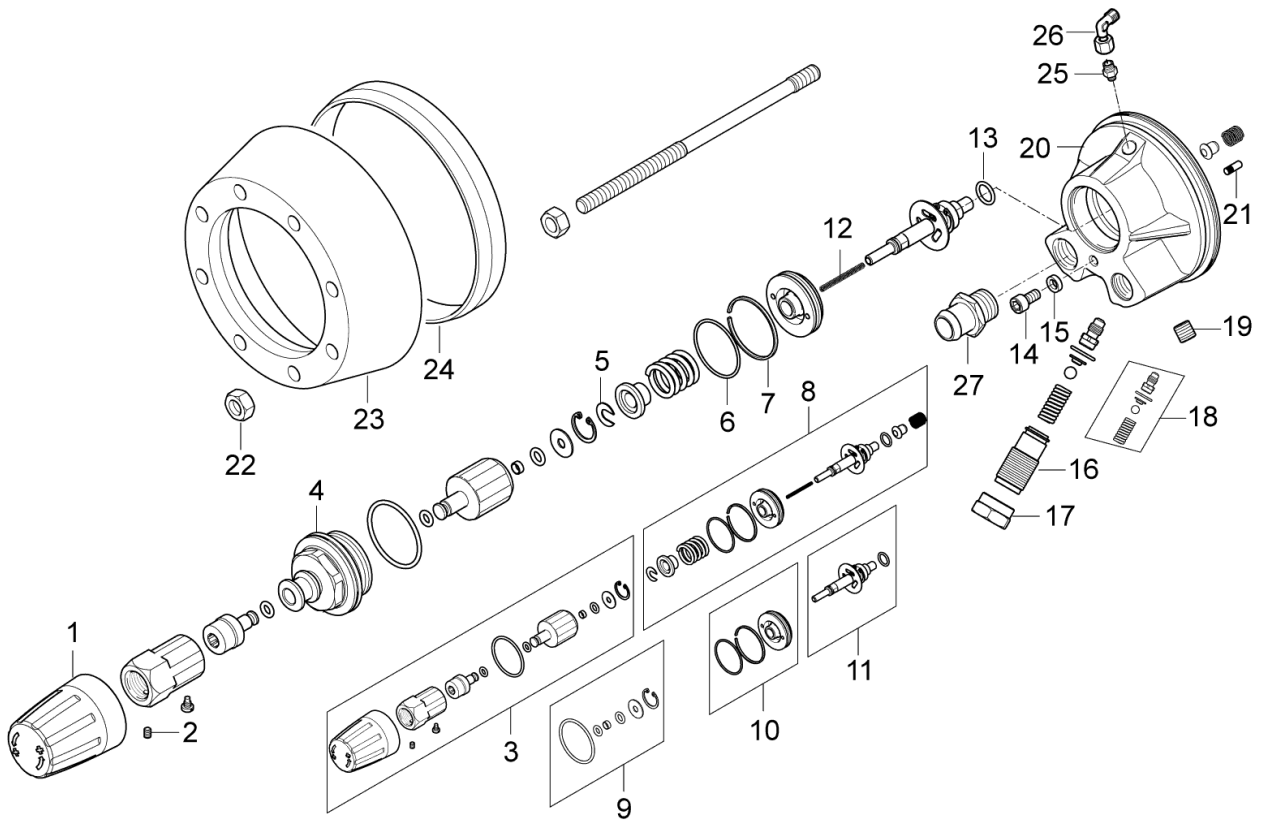
No.	Part No.	Qty.	Description	Part Note
	31001229	1	OIL ISO 150 ALPHASYN-T 20L	
0-	5218433	1	PUMP OIL 150 1X1 1L	[1]
1	107141609	1	PLATE FOR ADAPTOR FOR OIL CONTAINER C3	
2	107140881	2	SCREW M5X12 DIN 7985 TORX	
3	107140883	1	OIL CONTAINER TOP W/LEVEL SENSOR	
3A	107140877	1	OIL CONTAINER TOP	
4	101406054	1	SPONGE RUBBER Ø 4 1M	
5	107140879	1	OIL CONTAINER BOTTOM	
6	107140882	1	O-RING 15.0 X 3.0 SMS 1586 NBR70	
7	107141610	1	SCREW CONNECTION C3	
8	6100718	8	WASHER 10X16X1	
9	6100719	8	THRUST COLLAR	
10	6301368	8	STUDS	
11	1800465	8	NUT M10 DIN 934	
12	1802529	4	CIRCLIP	
13	6100666	4	RING F. RETURN SPRING	
14	6301166	4	CERAMIC PISTON C3	
15	102602517	4	RETURN SPRING C3 4.3X41X61.5 ST	
16	6100610	1	CYLINDER BLOCK	
17	107120700	4	THRUST COLLAR BACK-UP RING	
18	107120701	1	CYLINDER HEAD	
19	6300071	1	CYLINDER BLOCK COMP.	
20	6150400	1	DRAIN PLUG	
21	106408208	1	COPPER SEALING 17X25X1.5	
96	1119195	1	REP.KIT F. VALVE SYSTEM	[2]
97	1119571	1	GASKETS REDUCED REP.KIT	[3]
98	1119820	1	OIL SEAL 03/C3 REP.KIT	
99	1119570	1	GASKETS C3 REP.KIT	

## Part Notes:

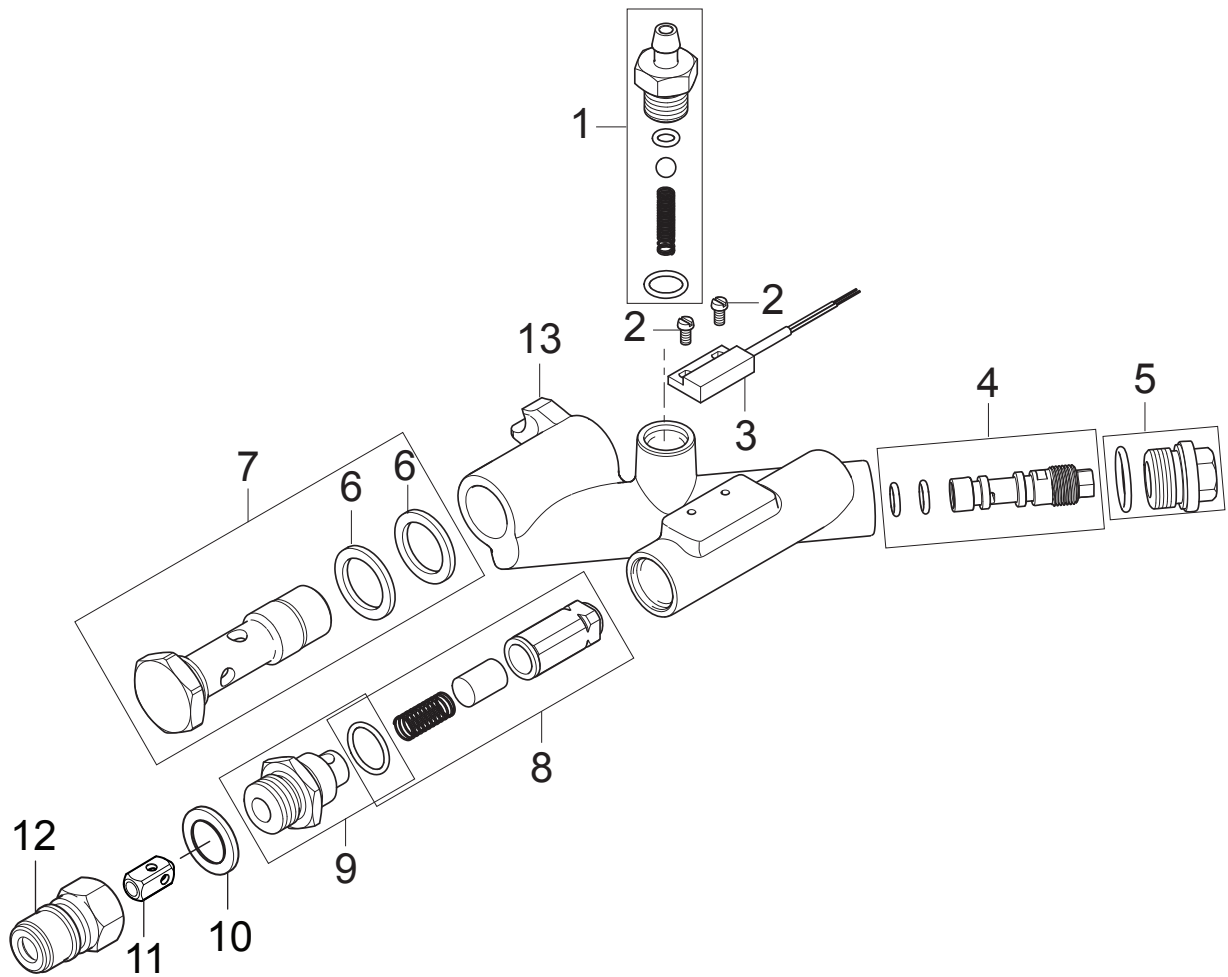
- [1] - 1,1L - OIL TYPES\_QUANTITY for HPW\_APRIL 2017  
 [2] - STEEL  
 [3] - C3

TSB-PPW-2016-011 Rep kit 1119571 and 1119570 potential have wrong O-ring in kit

DE TSB-PPW-2016-011 Rep Kit 1119571 und 1119570 beinhalten möglicherweise einen falschen O-Ring



No.	Part No.	Qty.	Description	Part Note
1	107140914	1	WATER REGULATION C3	
2	1802602	1	CRATER-POINT SCREW M4X6	
3	101118115	1	WATER REGULATION KIT C3	
4	6100984	1	BUSHING F.ADJUSTMENT SPINDLE	
5	6101069	1	SAFETY DISK	
6	3001716	1	O-RING 35.1X1.6 NBR 70SH	
7	6101061	1	PISTONRING	
8	1118580	1	REP.KIT BY-PASS VALVE AUTO S/S	
9	101119410	1	REP. KIT GASKETS	
10	6100925	1	PISTON F. BY-PASS VALVE	
11	6101784	1	VALVE CONE COMP.	
12	2600286	1	SPRING DM-2.9	
13	3000460	1	O-RING 11X2 NBR 70SH	
14	3913	1	SCREW M6X12	
15	6100985	1	LOCK WASHER	
16	6100940	1	ADJUSTMENT SCREW, 250 BAR	
17	6100928	1	LOCK NUT	
18	1118512	1	SAFETY VALVE REP.KIT	
19	1602333	1	PLUG G1/8 DIN906 CUZN	
20	6101042	1	VALVE COVER	
21	6100996	1	GUIDE PIN	
22	1800465	8	NUT M10 DIN 934	
23	6100602	1	RETAINING RING	
24	6301392	1	RING FOR MOTOR-PUMP	
25	1821	1	FITTING XGE 6LR1/8	
26	107141616	1	FITTING ANGLE COMPLETE	
27	107141614	1	SCREW FITTING	



No.	Part No.	Qty.	Description	Part Note
1	1119406	1	NON RETURN VALVE REP. KIT	
2	101118033	2	SCREW M3X6 BRASS DIN 84 ISO 1207 KIT	
3	106408216	1	REED SWITCH	
4	107144112	1	VENTURI TUBE D2.03 NATURE	
5	107141982	1	OIL PLUG W/O-RING AND MAGNET NA5.2	
6	1801075	2	PACK.RING D23.8XD14.96 3/8NBR SELF-CENT.	
7	101118298	1	BANJO SCREW 3/8 SS C3 REP. KIT	[1]
8	101119411	1	REP.KIT PISTON	
9	107141430	1	PLUG FOR SWITCH COMPLETE	
10	1801075	1	PACK.RING D23.8XD14.96 3/8NBR SELF-CENT.	
11	6101038	1	PISTON	
12	1600493	1	NIPPEL F. Q-COUPL. 3/8 INCH	
12	1603101	1	NIPPLE F/QUICK COULING 3/8 SS	[2]
13	107144076	1	OUTLET FITTING C3 FA	

**Part Notes:**

- [1] - TSB-PPW-2016-019 MC 7P Banjo bolt complete 107141432, can break  
DE TSB-PPW-2016-019 MC 7P Hohlschraube komplett 107141432, kann brechen
- [2] - INOX

