

# PARTS LIST

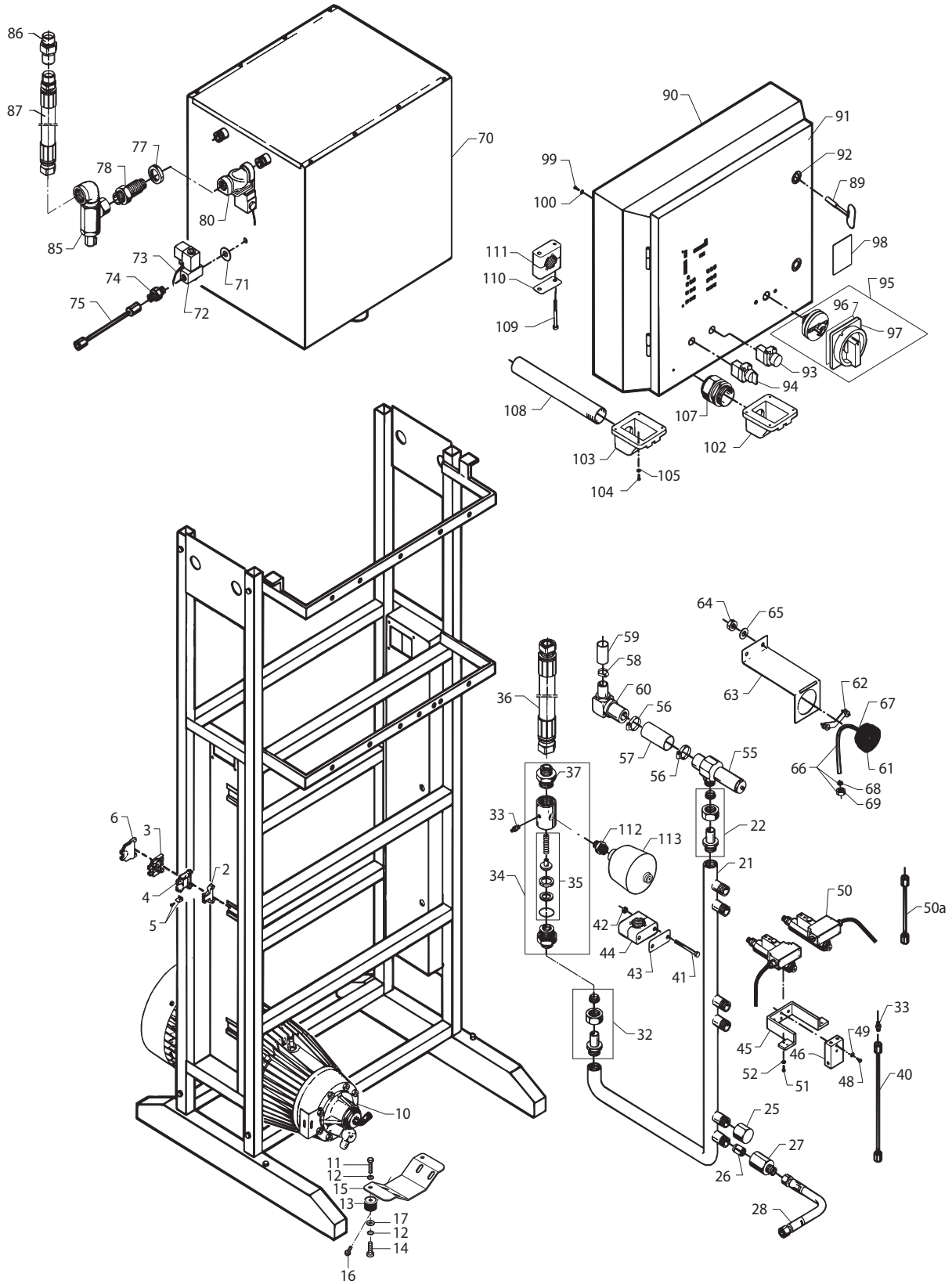


2019.01.08

# TABLE OF CONTENTS

---

Overview .....	1
Chassis .....	4
Power module box, 2 & 3 pumps .....	6
Power module box .....	8
Overflow valve .....	11
Overflow switch .....	13
Motor .....	15
Cylinder block .....	18
Valve cover .....	20
Pressostat .....	22
Water tank .....	24
Solenoid valve .....	26
Water inlet .....	28
Interface for alarm .....	30
Low oil safety cutout .....	32
Recommended spare parts .....	34

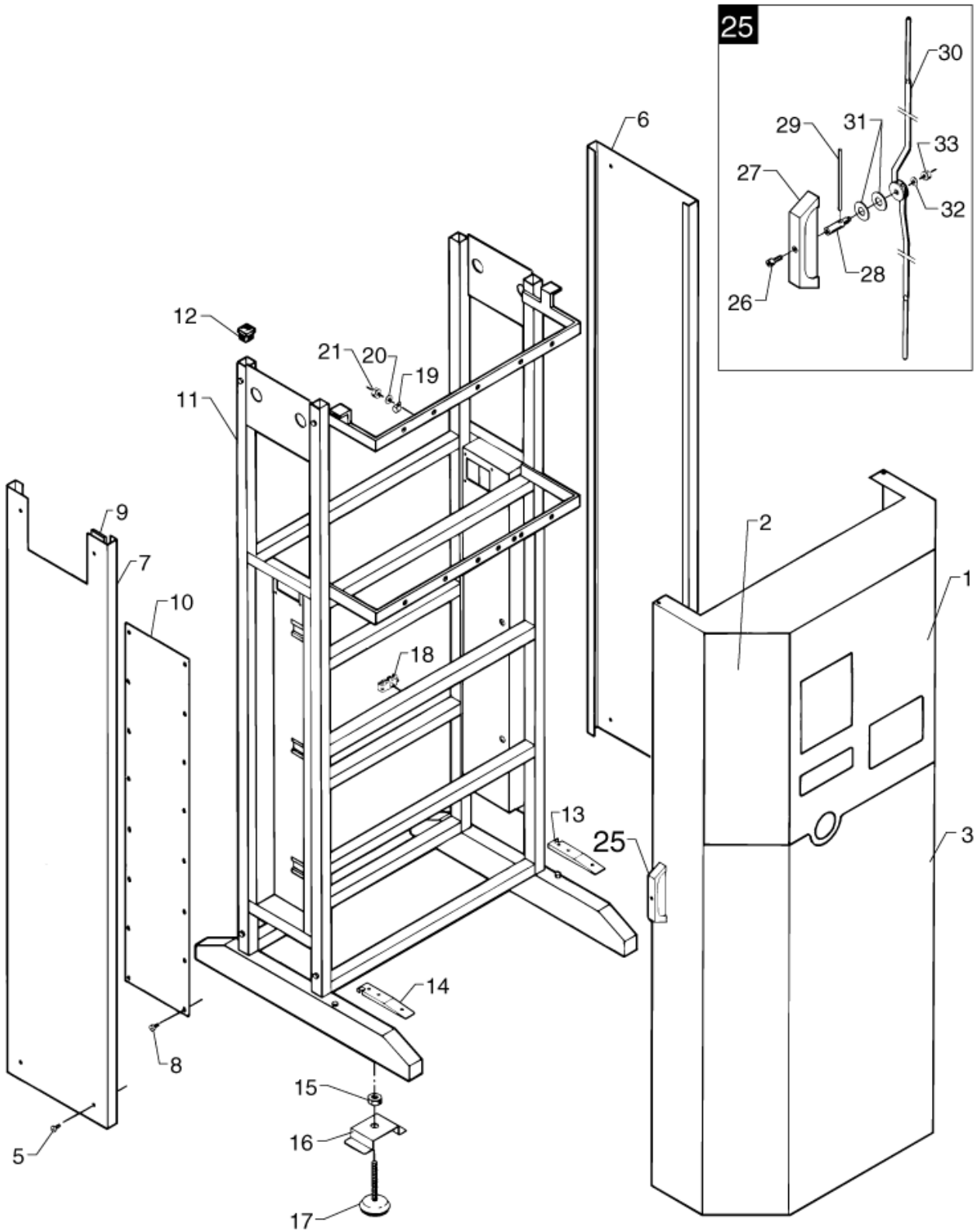


No.	Part No.	Qty.	Description	Part Note
2	3812203	1	END STOP	
3	3807260	30	TERMINAL STRIP 9700 A/8 S35	
4	3807518	12	WIRE TERMINAL	
5	3807286	6	SHORT-CIRCUIT BRIDGE STRAP	
6	3817483	6	TERMINAL STRIP EARTH. WK4 SL/U	
10		1	Motor pump unit	[1]
11	1810266	4	SCREW M8X12 A2 DIN933	
12	1810274	8	WASHER M8 - DIN 6798J	
13	1803048	4	VIBRATION DAMPER	
14	1802115	4	SCREW M8X40 A2 DIN912	
15	107307211	2	PUMP BRACKET	
16	1802651	8	SCREW M10X20	
17	1802917	16	WASHER M8 Ø8.4X18X1 A2 DIN125	
21	7302050	1	MANIFOLD. COATING	
22	101119417	1	FITTING DIN3955 L18A G3/4 INOX	[2]
25	7302040	4	PLUG FOR MANIFOLD	
26	6300080	2	VALVE CPL. SUCTION	
27	7302029	2	HOUSING FOR NON-RETURN VALVE	
28	7302031	2	HOSE OUTLET. COMPLETE SS	
32	101119418	1	FITTING DIN3955 L22A G3/4 INOX	[3]
33	1603422	6	THREADED CONNECTION	[4]
34	7302045	1	NON-RETURN VALVE 2473-093	
35	1119831	1	REP. KIT. NON-RETURN VALV	
36	1405574	1	HIGH PRESSURE HOSE COMPL.	
37	107302071	1	LOCK NIPPLE W. PIN AND O-RI	
40	7302053	1	TUBE COPPER W/ 2X CUT.RING UNION NUT	[5]
41	1814594	6	HEXAGON SOCKET HEAD CAP SCREW	
42	33158	6	LOCK NUT M6 A2 DIN 985	
43	7302022	3	PLATE FOR 35 PIPE CLAMP	
44	1609298	3	BRACKET FOR PIPE 35 MM	
45	7303048	1	FITTING FOR PRESSURE SWITCH	
46	7303008	1	DISTRIBUTOR BLOCK	
48	1805381	2	SCREW M6X25	
49	1813807	2	WASHER 6.4/18.0X1.6 A ISO7090 VA	
50	7302047	1	PRESSURE SWITCH COMPL.	
50a	7302043	2	BRASS PIPE 4 L200MM BRASS PIPE 4 L 200MM	
51	1814595	4	SCREW M4X10	
52	1802982	4	SPRING WASHER M4	
55	7302048	1	OVERFLOW VALVE COMPL.	
56	1810225	2	HOSE CLIP D19-44 SS	
57	107305054	1	HOSE 31. 5 L500MM	[6]
58	1810332	1	HOSE CLIP 47-67	
59	101406056	1	PLASTIC HOSE 1INCH ARM. L 1M	
60	7302049	1	OVERFLOW SWITCH COMPL.	
61	3600301	1	PRESSURE GAUGE	
62	1808088	1	CLAMP FOR PRESSURE GAUGE	
63	7302051	1	MOUNTING PLATE- PRESSURE GAUGE	
64	1801905	2	NUT M8 ISO 4032 A2-70	
65	1802917	2	WASHER M8 Ø8.4X18X1 A2 DIN125	
66	107307210	1	PIPE FOR PRESSURE GAUGE	
67	1602127	1	RING FOR PRESSURE GAUGE	
68	1603448	1	CUTTING RING L4	[7]
69	1603430	1	UNION NUT	[7]
70		1	Water tank	[8]
71	1810241	2	SEALING WASHER	
72	3804812	1	SOLENOID VALVE 24V/50HZ	
73	3808151	1	COIL 24V 50HZ	
74	1601046	1	NIPPLE 1/4X1/8	

No.	Part No.	Qty.	Description	Part Note
75	7302053	1	TUBE COPPER W/ 2X CUT.RING UNION NUT	
77	20862	4	HEXAGON NUT R1 DIN 431 CUZN	
78	6304262	2	THREADED CONNECTION	
80		1	Solenoid valve	[9]
85		1	Water inlet	[10]
86	1608561	2	1 HEX. NIPPLE MALE/BSPT	
87	1404805	2	1 INCH INLET HOSE	[11]
89	3821562	2	KEY	
90		1	Power modul	[12]
91	7309069	1	TRANSFER EL-BOX LABEL 500X470MM	
92	3821563	2	LOCK. COMPL.	
93	3821512	1	PUSHBUTTON SWITCH NO XB4 BP31	
94	3821499	1	ROTARY SWITCH	
95	3821519	1	EMERGENCY SWITCH	
96	6303274	1	GASKET FOR MAIN SWITCH	
98	6420025	1	LED PANEL DELTA BOOSTER	
99	1802909	4	SCREW HEX M8X16 A2 DIN 933	
100	1802917	4	WASHER M8 Ø8.4X18X1 A2 DIN125	
102	7306008	1	ANGLE FLANGE GREY	
103	7306007	2	FLAP FLANGE GREY	
104	1802933	20	SCREW M6X22 ISO4017 A2	
105	1813807	20	WASHER 6.4/18.0X1.6 A ISO7090 VA	
107	3819695	1	CABLE GLAND PG36	[13]
108	5226287	2		[14]
109	1814557	4	SCREW M6X80 DIN912-12.9	[15]
109	1809862	4	SCREW M6X65	
110	7302021	2	PLATE FOR CABLE FIXTURE	[16]
110	7302022	2	PLATE FOR 35 PIPE CLAMP	[17]
111	1609297	2	BRACKET FOR PIPE 30MM	[16]
111	1609298	2	BRACKET FOR PIPE 35 MM	[17]
112	7302055	1	NIPPLE HEX FOR PRESSURE ACCUMULATOR	
113	4600575	1	PRESSURE ACCUMULATOR 0.45-175	

Part Notes:

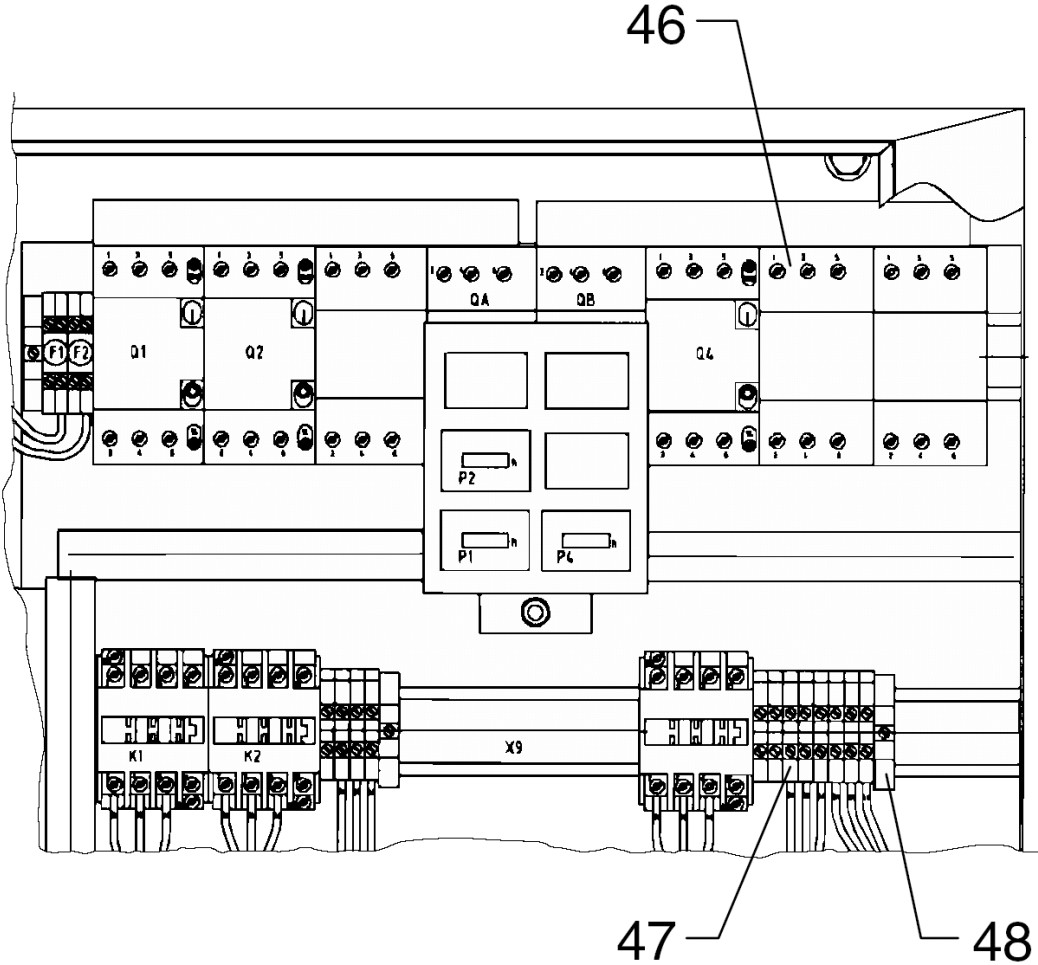
- [1] - Motor pump unitMotor pump unit (a), Motor pump unit (b), Motor pump unit (c)
- [2] - Ĩ18
- [3] - Ĩ22
- [4] - Ĩ 4-1/8"
- [5] - L=1120
- [6] - L=110
- [7] - Ĩ 4
- [8] - Water tank
- [9] - Solenoid valve
- [10] - Water inlet
- [11] - 1"
- [12] - Power module box
- [13] - PG36  
NO LONGER AVAILABLE
- [14] - L=400
- [15] - NO LONGER USED
- [16] - 30MM
- [17] - 35MM



No.	Part No.	Qty.	Description	Part Note
1	301150152	1	LABEL FOR FRONTCOVER UNITOR	
01	7309071	1	FRONTLABEL DELTA BOOSTER	
02	7309067	2	TRANSFER SIDES ALTO	
03	7303013	1	FRONT COVER	
05	1814375	8	SCREW M6X12 A2 ISO 7380	
06	7303000	1	1.2014T PART	[1]
07	7303001	1	CABINET. WATER INLET SIDE	
08	1804475	32	SCREW M5X12 ISO 14583-A2 TORX	
09	5218637	4		
10	7303049	2	COVER PLATE	
11	7303050	1	CHASSIS	[1]
12	4600854	4	COVER PLUG	
13	7303044	2	SLIDING RAIL RIGHT	[2]
14	7303043	2	SLIDING RAIL LEFT	[3]
15	1810068	4	NUT M12	
16	6301440	2	BRACKET FOR SUPPORTING BLOCK. BENDED	
17	4602422	4	SUPPORTING BLOCK	
18	7306017	6	SUPPORT FOR CABLE	
19	1814607	7	CABLE CLIP 1/2	
20	1807999	7	WASHER M5 5.3X10X1	
21	1801885	7	NUT HEX M5 ISO 4032 A2-70	
25		1	Cremona bolt compl.	[4]
26	1814593	2	SCREW M6X16	
27	7303010	2	HANDLE	
28	7303054	2	AXLE FOR HANDLE	
29	7303016	2	AXLE FOR HANDLE	
30	7303005	2	CREMONE BOLT	
31	7303017	4	SPACER BUSH. PLASTIC	
32	1813807	2	WASHER 6.4/18.0X1.6 A ISO7090 VA	
33	1805399	2	LOCK NUT W. NYLONRING M6 A2	

## Part Notes:

- [1] - INITIATE URGENT REQUEST
- [2] - RIGHT
- [3] - LEFT
- [4] - Cremona bolt compl.



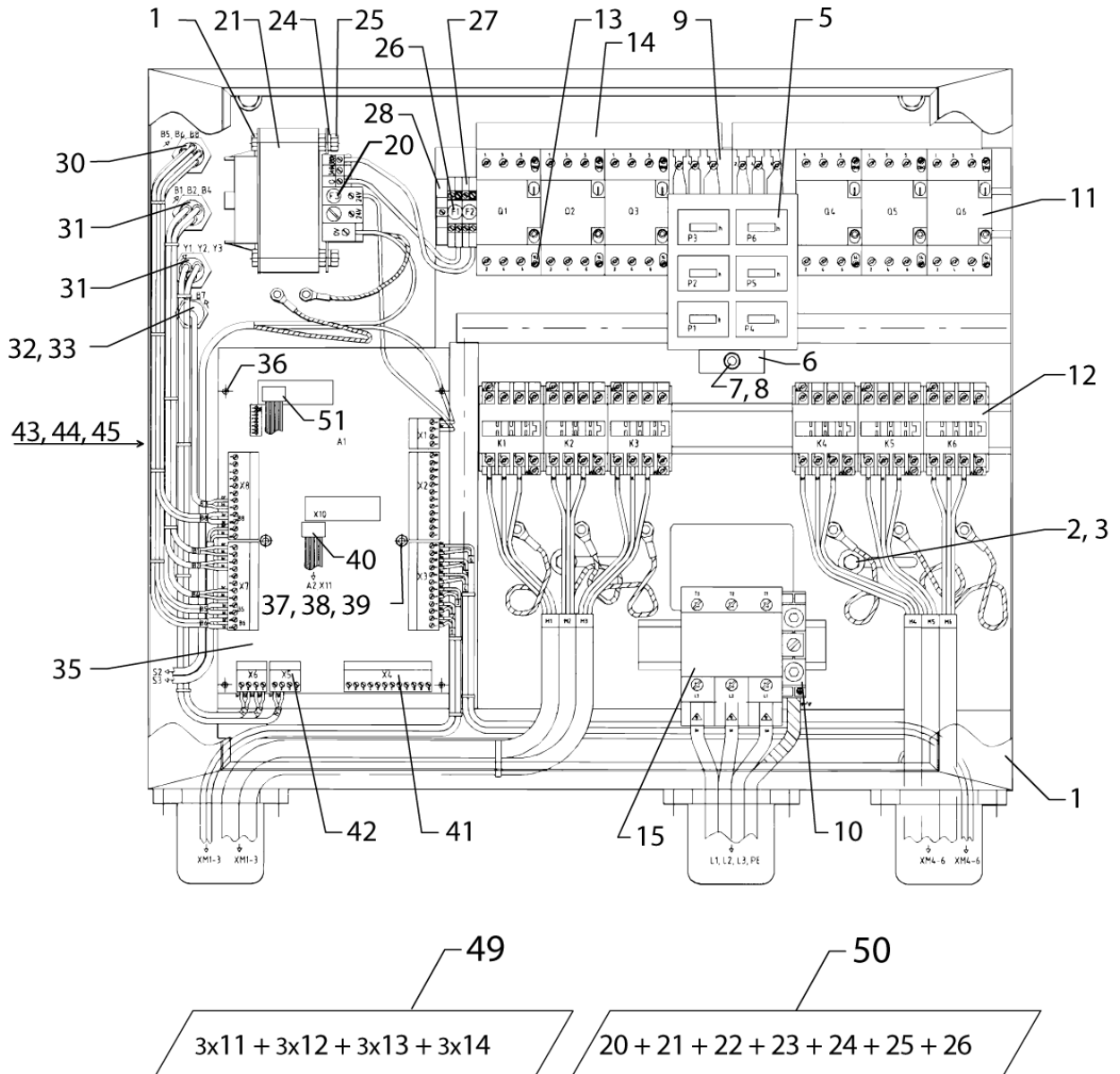


---

No.	Part No.	Qty.	Description	Part Note
46	107307207	3	TERMINAL COVER	[1]
46	3821573	1	COVER CLAMP	[2]
47	3807518	9	WIRE TERMINAL	
48	3805249	2	END BRACKET	[3]

## Part Notes:

- [1] - From week 34 2009
- [2] - Up to week 34 2009
- [3] - STOCK COVERS GUARANTEE

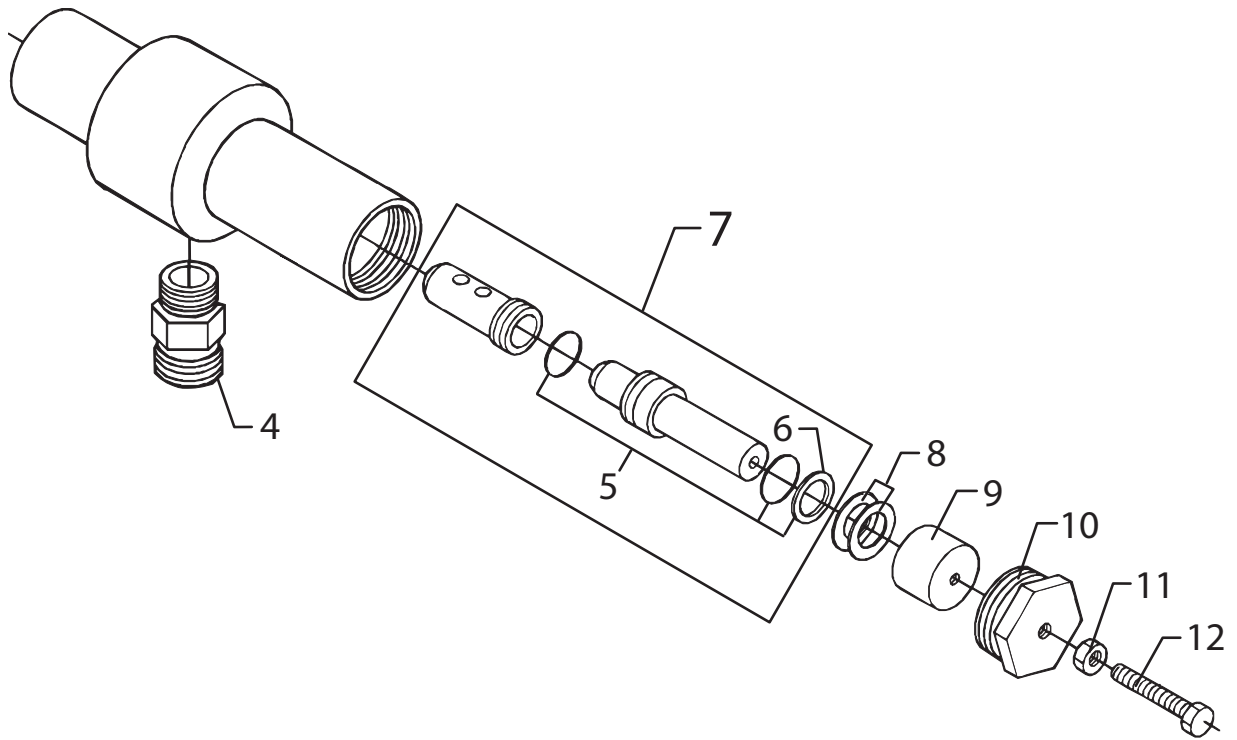


No.	Part No.	Qty.	Description	Part Note
0-	107306149	1	FOLD-OUT GASKET FOR EL BOX	
0-	3803772	1	CABLE GROMMET TET 7-10C	
01	1810316	2	BOLT HEX M6X60-8.8 A2K ISO 4014	
02	1804475	2	SCREW M5X12 ISO 14583-A2 TORX	
03	1813807	2	WASHER 6.4/18.0X1.6 A ISO7090 VA	
05	7306011	3	HOUR COUNTER 60HZ 21-28VAC	[1]
05	7306010	3	HOUR COUNTER 50HZ 21-28VAC	[2]
06	7306018	1	CABLE FIXTURE	
07	1800903	1	TOOTHED LOCK WASHER	
08	1801893	1	NUT M6 ISO 4032 A2-70	
09	107307205	2	CONNECTION BLOCK	[3]
10	3817558	1	TERM. STRIP EARTH WKN35 SL/U	
11	103821898	3	OVERCURRENT RELAY 10-16A	[4]
11	3817319	1	OVERLOAD CUT-OUT KTA 3-25-16	[5]
11	103821903	3	OVERCURRENT RELAY 18-25A	[6]
12	103822317	3	CONTACTOR CJX2-D32 32A 24V 3P+NO	[7]
12	103822306	3	CONTACTOR CJX2-D18 18A 24V 3P+NO	
12	103822313	3	CONTACTOR CJX2-D25 25A 24V 3P+NO/US	[8]
13	3817343	1	AUXILIARY SWI. KT 3-25-PE-1-10	[5]
13	107307206	3	AUXILIARY CONTACT	[9]
14	107307208	2	COMPACT BUSBAR	[10]
14	3817699	1	CONNECTING RAIL	[11]
15	3821519	1	EMERGENCY SWITCH	
20	3819745	1	FUSE 25X20	
21	3817640	1	TRANSFORMER 427-440V 50/60HZ	[12]
21	3817673	1	TRANSFORMER 346-400V 50/60HZ	[13]
21	3817665	1	TRANSFORMER 200-220V 50/60HZ	[14]
23	1810316	2	BOLT HEX M6X60-8.8 A2K ISO 4014	
24	1800903	4	TOOTHED LOCK WASHER	
25	1800705	2	NUT M6 ISO 4032	
26	3819521	2	FUSE Ø5X25	[15]
26	3819539	2	FUSE 5X25 1.0 A MEDIUM-TIME-LAG M	
27	3808003	2	TERMINAL STRIP F. FUSE HOUSING	
28	3805249	1	END BRACKET	[16]
30	3821564	1	CABLE GLAND PG16/6X13	[17]
31	3819711	3	CABLE GLAND PG16 3X7	
32	3800745	1	CABLE LEAD-IN	
33	3800802	1	LOCK NUT PG 9 PLASTIC	
35	7306029	1	ELECTRONIC CONTROL	
36	3819588	4	TIE ROD RICHO LCBS-18 28.6 MM	
37	6302402	2	TIE ROD BRASS	
38	1810308	4	STAR WASHER M4 INTERN.TOOTHING	[16]
39	1802974	4	NUT M4 ISO 4032 A2-70	
40	7306016	1	FLAT CABLE	[18]
41	3817525	5	TERM.STRIP 12-POL TYPE 8113BC	[19]
42	3817533	3	TERM. STRIP 4-POL TYP 8113BC	[20]
43	1814606	3	CABLE CLIP 1	
44	1807999	3	WASHER M5 5.3X10X1	
45	1801885	3	NUT HEX M5 ISO 4032 A2-70	
46	3821573	1	COVER CLAMP	[5]
46	107307207	1	TERMINAL COVER	[10]
47	3807518	9	WIRE TERMINAL	
48	3805249	2	END BRACKET	[16]
49	107307204	1	CONTACTOR/OVERLOAD CUT-OUT KIT	[21]
49	107307203	1	CONTACTOR/OVERLOAD CUT-OUT KIT	[22]
50	6423560	1	TRANSFORMER/FUSE KIT	[23]
50	6423561	1	TRANSFORMER/FUSE KIT	[24]
50	6423559	1	KIT FOR TRANSFORMER/FUSE346V	[25]

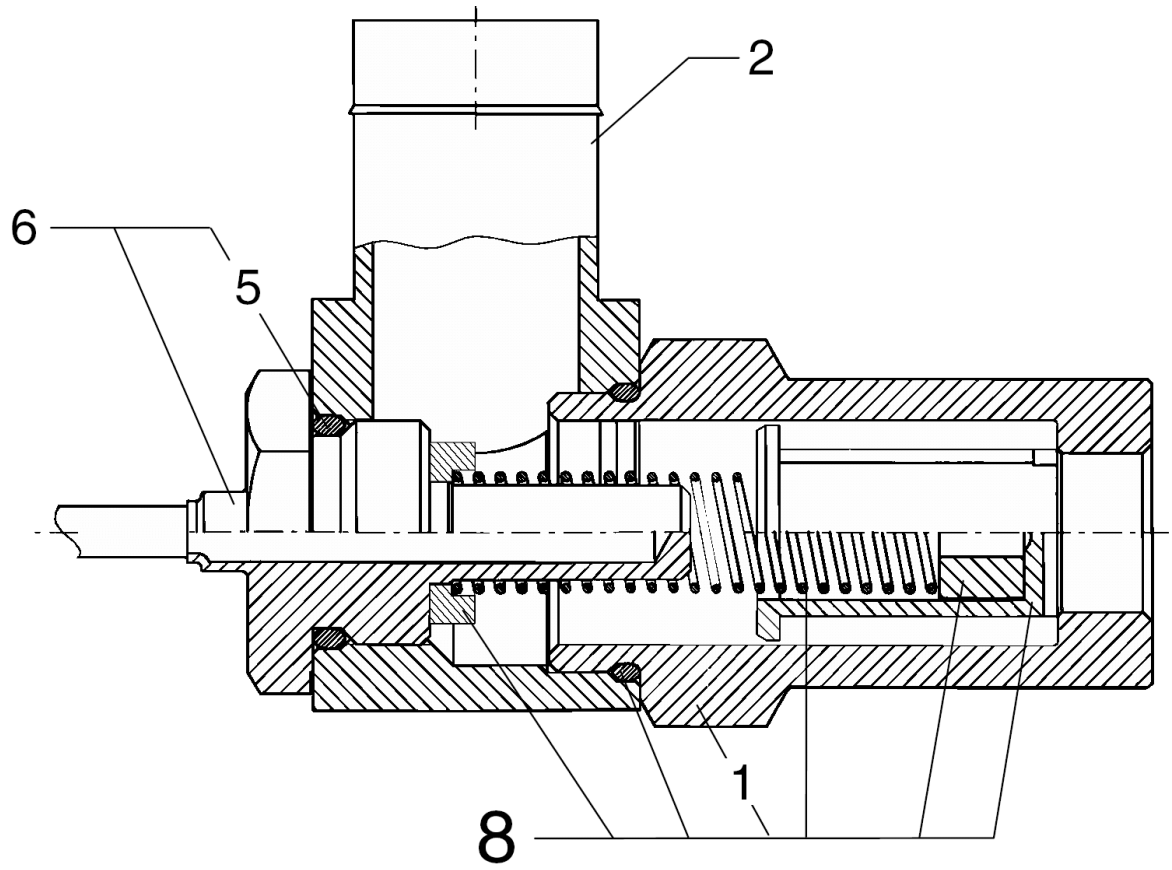
No.	Part No.	Qty.	Description	Part Note
51	3821694	1	FLAT CABLE	[26]
52	107307209	1	WIRE KIT THICK WIRES DELTA	[10]

Part Notes:

- [1] - 60HZ
- [2] - 50HZ
- [3] - See TSB no.TSB-PPW-2009-003
- [4] - 3X400-415V, 50HZ, From week 34 2009
- [5] - Up to week 34 2009
- [6] - 3X230V,50HZ, See TSB no.TSB-PPW-2009-003
- [7] - UP TO 31.12.99
- [8] - FROM 01.01.00
- [9] - 3 ~, from week 34 2009
- [10] - From week 34 2009
- [11] - Up to week 34 2009  
CLOSED WHEN STOCK EMPTY
- [12] - 427-440V, 50/60HZ
- [13] - 346-380V, 50/60HZ
- [14] - 200-220V, 50/60HZ  
NO LONGER AVAILABLE
- [15] - CLOSED WHEN STOCK EMPTY
- [16] - STOCK COVERS GUARANTEE
- [17] - UP TO 01.05.98
- [18] - UP TO 01.12.98  
GUARANTEE DATE EXPIRED
- [19] - 12-POL. TYPE 8113BC
- [20] - 4-POL. TYPE 8113BC
- [21] - 3X220-230V, 50/60HZ  
CLOSED WRONG SET UP
- [22] - 3X400-415V, 50/60HZ
- [23] - 346-380V  
NO LONGER AVAILABLE A KIT
- [24] - 427-440V
- [25] - 200-220V
- [26] - FROM 01.12.98



No.	Part No.	Qty.	Description	Part Note
0-	7302048	1	OVERFLOW VALVE COMPL.	
4	1608256	1	THREADED CONNECTION 18X1/2INCH	
5	101118176	1	SEAL KIT FOR OVERFLOW VALVE DELTA B.	
6	3001302	1	SUPPORTING RING 15.5/19.5X1.5 PTFE	
7	1119031	1	BY-PASS VALVE REP.KIT	
8	2600328	22	SPRING WASHER 23X12.2X1.5	
9	6300268	1	THRUST PLATE FOR OVERFLOW VALVE	
10	6300269	1	NUT FOR OVERFLOW VALVE	
11	1801905	1	NUT M8 ISO 4032 A2-70	
12	1809961	1	BOLT M8X35	

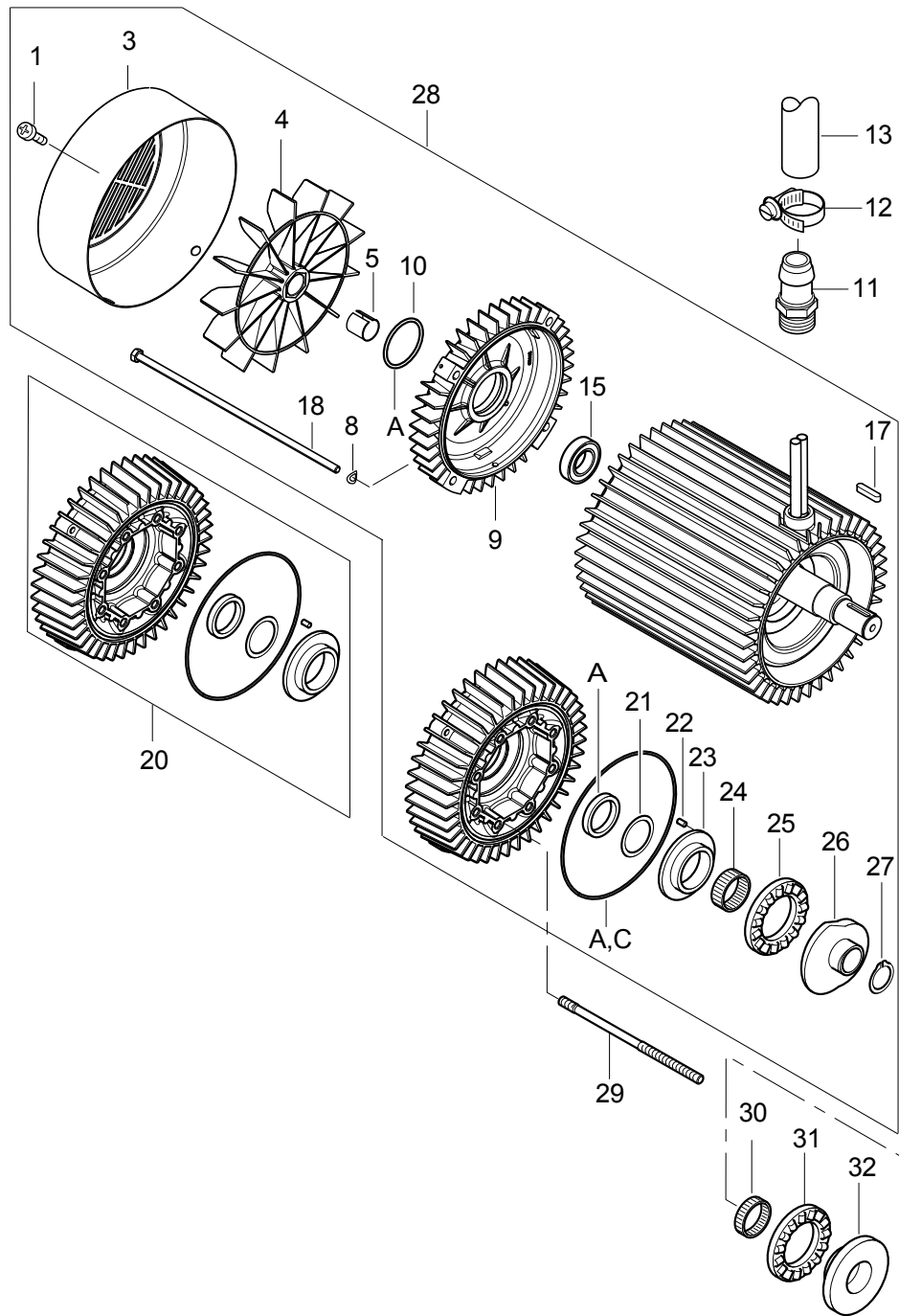


No.	Part No.	Qty.	Description	Part Note
0-	7302049	1	OVERFLOW SWITCH COMPL.	
01	7302059	1	CYLINDER HOUSING FOR OVERFLOW SWITCH	[1]
02	7302036	1	INLET HOUSING FOR OVERFLOW SWITCH	
05	3000825	1	O-RING 20.24X2.62 NITRIL 70SH	
06	6221773	1	REED SWITCH WITH O-RING	
08	1119404	1	OVERFLOW SWITCH REP.KIT	

Part Notes:

[1] - FROM 24.11.98



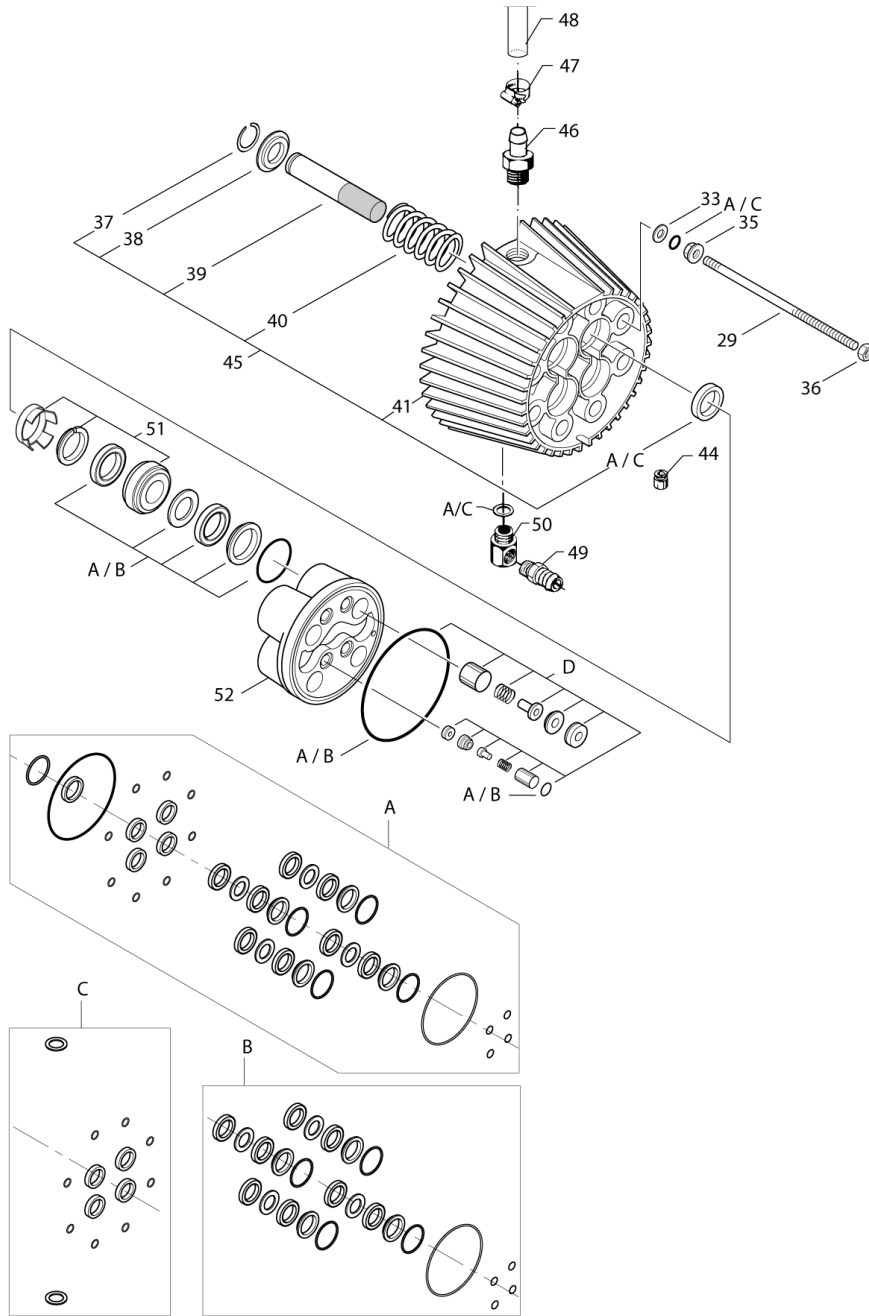


No.	Part No.	Qty.	Description	Part Note
0-	107300036	1	C3 MPU 100BAR 5.5KW 230/400V 50HZ	[1]
0-	7300032	1	MOTOR/PUMP UNIT L+R 415/3/50 160BAR	[2]
0-	7300030	1	C3 MPU 160BAR 5.5KW 230/400V 50HZ	[3]
0-	7300034	1	C3 MPU 160BAR 5.5KW 440V 60HZ	[4]
00	6100611	1	REAR BEARING COVER	[5]
00	5218433	1	PUMP OIL 150 1X1L	[6]
1	1803543	2	SCREW M4X10	
3	6100609	1	COVER F. FAN	[7]
3	107142276	1	COVER FOR FAN	[8]
4	6100607	1	FAN	[7]
4	107142275	1	FAN INCL. LOCK RING	[8]
5	1802503	1	LOCK RING FAN WHEEL	
8	1801182	8	SPRING WASHER M8	
9	107140617	1	REAR BEARING COVER	[9]
9	107142277	1	REAR BEARING COVER	[8]
10	107318244	1	O-RING 51.6X2.4 NBR70	
11	7302028	1	SOCKET	
12	1810191	2	HOSE CLIP 13-27 A4 SS	
13	5226253	1	HOSE 20X3.5 NATURE SILICONE	[10]
15	3200623	1	REAR BEARING	[7]
15	31000149	1	REAR BEARING 6306 2Z C3 150 DEGREES RF	[8]
17	3200672	1	TONGUE 6X6X32 A DIN 6885 ST	
18	6100711	8	STAY BOLT L261MM	
18	6100712	8	STAY BOLT L306MM	[11]
20	6101750	1	FRONT BEARING COVER COMP.	[12]
20	107140615	1	FRONT BEARING COVER COMPLETE	[13]
21	6100995	1	WASHER	
22	6100996	1	GUIDE PIN	
23	107120703	1	BEARING TRACK	
24	3200656	1	NEEDLE BEARING INA K 40X46X17	
25	3200615	1	AXIAL ROLLER BEARING	
26	107120708	1	WOBBLE DISC 4	[14]
26	107120714	1	WOBBLE DISC 10	[15]
26	107120716	1	WOBBLE DISC 12	[16]
27	1802511	1	CIRCLIP 28X1.5 DIN471A	
28	7300070	1	C3 MOTOR 160BAR 5.5KW 230/400V 50HZ	[3]
28	7300072	1	C3 MOTOR 160BAR 5.5KW 230/400V 60HZ	[17]
28	107300073	1	C3 MOTOR 100BAR 5.5KW 230/400V 50HZ	[1]
28	7300071	1	C3 MOTOR 160BAR 5.5KW 400/690V 50HZ	[2]
29	6301368	8	STUDS	
30	3200664	1	NEEDLE BEARING	
31	3200615	1	AXIAL ROLLER BEARING	
32	107120704	1	BEARING TRACK	
A	1119570	1	GASKETS C3 REP.KIT	
B	1119571	1	GASKETS REDUCED REP.KIT	[18]
C	1119820	1	OIL SEAL 03/C3 REP.KIT	

## Part Notes:

- [1] - 5,5kW - 230V/400V 50Hz 3ph - DELTA/STAR 100BAR  
 [2] - 5,5kW - 400-415V/690V 50Hz 3ph - DELTA/STAR 160BAR  
 [3] - 5,5kW - 230V/400V 50Hz 3ph - DELTA/STAR 160BAR  
 [4] - 5,5KW - 220V/440V 60Hz 3ph - DELTA/STAR 160BAR  
 [5] - ATB UP TO WEEK 32/09  
 [6] - WITHOUT oil glass: 0,5 litre - WITH oil glass: 1,1 litre  
 OIL TYPES\_QUANTITY for HPW\_ APRIL 2017  
 [7] - EME – has EME letter on the motor type plate  
 [8] - RF – has Nilfisk letter on the motor type plate

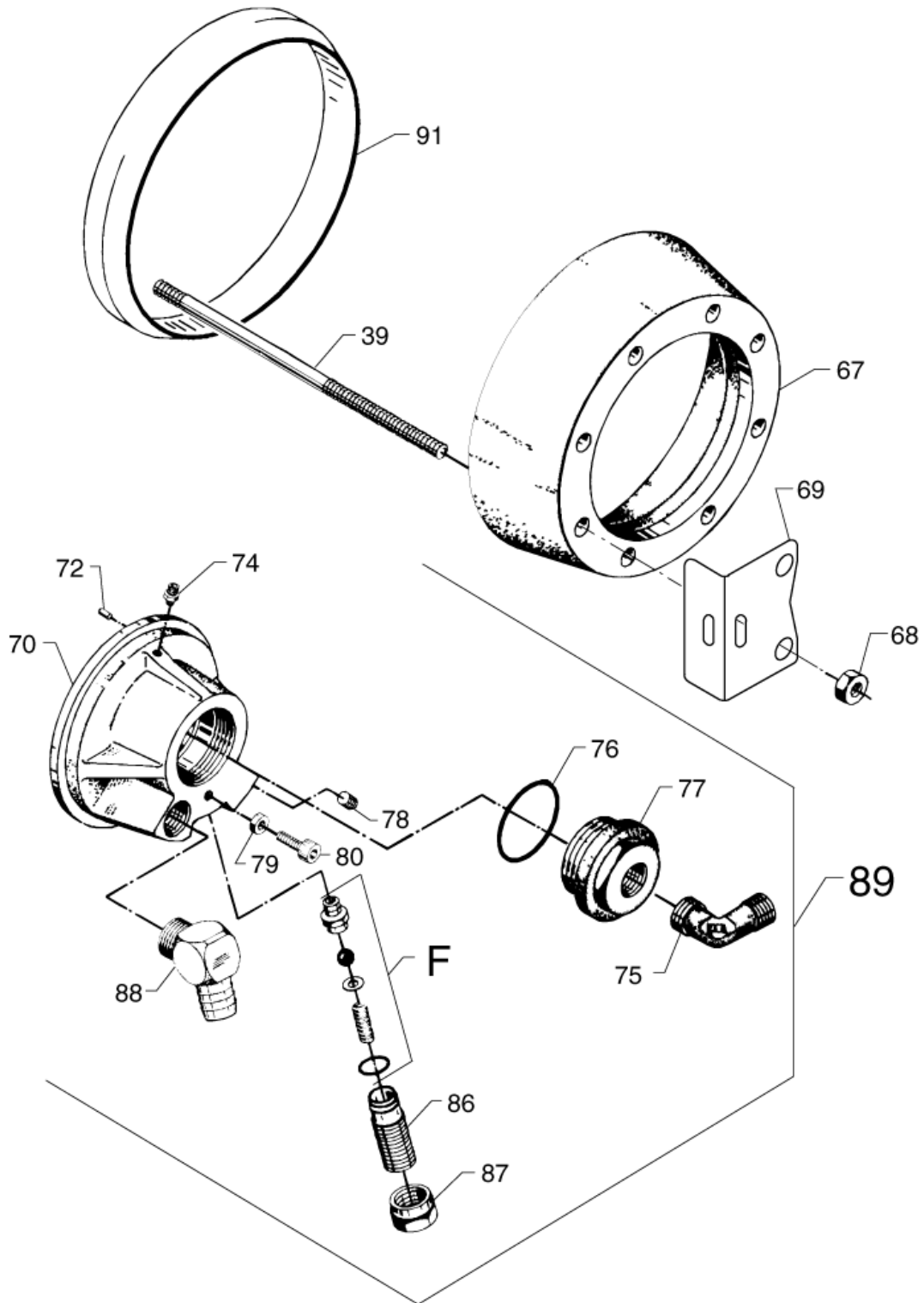
- [9] - ALTERNATIVE USE 107142277  
EME – has EME letter on the motor type plate FROM WEEK 32/09
- [10] - L=185
- [11] - STOCK COVERS GUARANTEE
- [12] - TSB-PPW-2011-013 C3 Pump information
- [13] - FROM WEEK 32/09 TSB-PPW-2011-013 C3 Pump information
- [14] - 160BAR, 4, 60 HZ
- [15] - 160BAR, 10, 50 HZ
- [16] - 100BAR, 10, 50 HZ
- [17] - 5,5KW - 220V/400-440V 60Hz 3ph - DELTA/STAR 160BAR
- [18] - TSB-PPW-2016-011 Rep kit 1119571 and 1119570 potential have wrong O-ring in kit  
DE TSB-PPW-2016-011 Rep Kit 1119571 und 1119570 beinhalten möglicherweise einen falschen O-Ring



No.	Part No.	Qty.	Description	Part Note
A	1119570	1	GASKETS C3 REP.KIT	[1]
B	1119571	1	GASKETS REDUCED REP.KIT	[1]
C	1119820	1	OIL SEAL 03/C3 REP.KIT	
D	1119195	1	REP.KIT F. VALVE SYSTEM	
33	6100718	8	WASHER 10X16X1	
35	6100719	8	THRUST COLLAR	
36	1800465	8	NUT M10 DIN 934	
37	1802529	4	CIRCLIP	
38	6100666	4	RING F. RETURN SPRING	
39	6301166	4	CERAMIC PISTON C3	
40	102602517	4	RETURN SPRING C3 4.3x41x61.5 ST	
41	6100610	1	CYLINDER BLOCK	
44	6100919	1	DRIP NOZZLE	
45	6300071	1	CYLINDER BLOCK COMP.	
46	1600568	1	HOSE SOCKET 12.5 X 1/2	
47	1805100	2	HOSE CLIP 8-22MM	
48	5226295	1	HOSE OIL RESISTANT D16/D12	[2]
49	7302042	1	HOSE SOCKET	
50	7302041	1	NIPPLE FOR HOSE SOCKET	
51	101119850	4	KIT THRUSTRING + BACK-UP RING	
52	107120701	1	CYLINDER HEAD	

Part Notes:

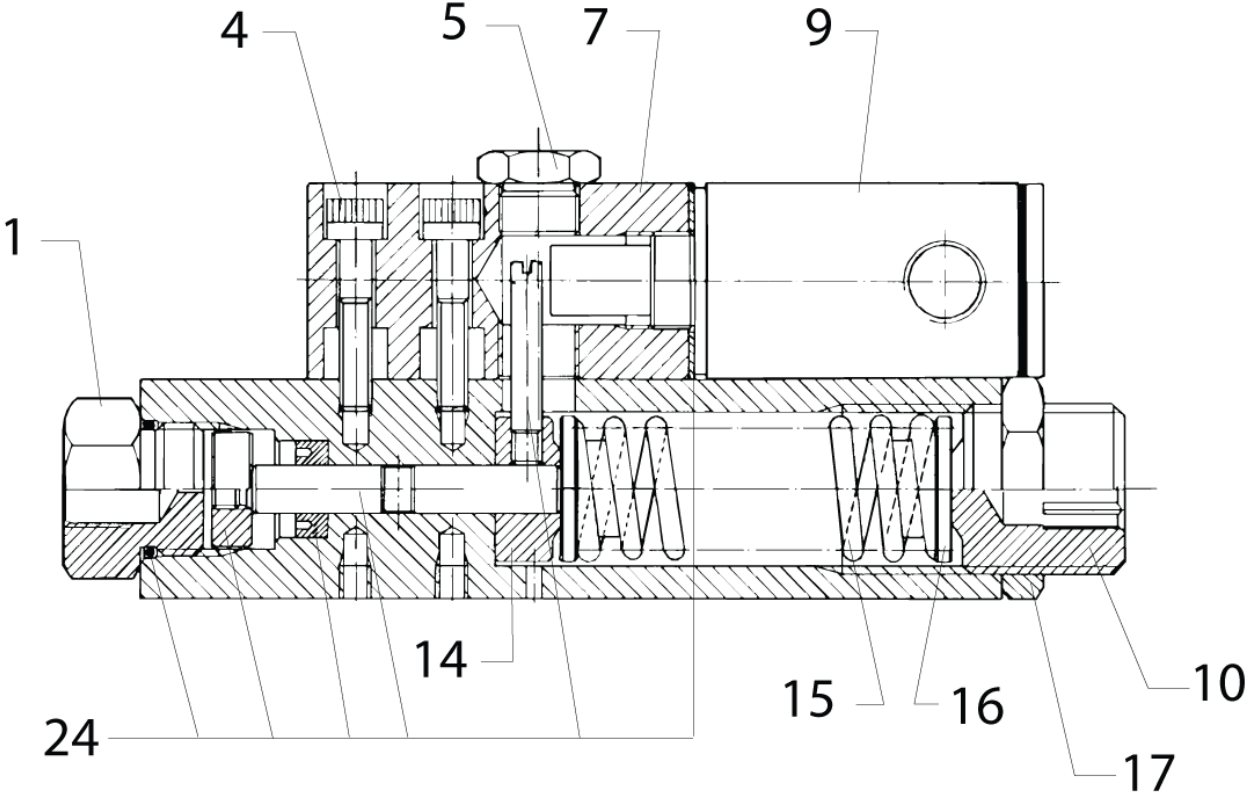
- [1] - TSB-PPW-2016-011 Rep kit 1119571 and 1119570 potential have wrong O-ring in kit  
DE TSB-PPW-2016-011 Rep Kit 1119571 und 1119570 beinhalten möglicherweise einen falschen O-Ring
- [2] - L=600



No.	Part No.	Qty.	Description	Part Note
F	1118512	1	SAFETY VALVE REP.KIT	
67	6100602	1	RETAINING RING	
68	1800465	8	NUT M10 DIN 934	
69	7302052	1	OIL-FITTING	[1]
70	107307252	1	VALVE COVER MACHINED	
72	6100996	1	GUIDE PIN	
74	6300250	1	VENTILATION-SCREW	
75	1606110	1	THREADED CONN. ELBOW X12L R3/8	
76	3001096	1	O-RING 32.5X3.0 SMS 1586 NBR70	
77	7302024	1	PLUG	
78	1602333	1	PLUG G1/8 DIN906 CuZn	
79	6100985	1	LOCK WASHER	
80	3913	1	SCREW M6X12	
86	6100940	1	ADJUSTMENT SCREW, 250 BAR	
87	6100928	1	LOCK NUT	
88	1609304	1	ELBOW 1/2 W. 5/8 HOSE BRACKET	
89	7300061	1	BY-PASS VALVE COMPL.	
91	6301392	1	RING FOR MOTOR-PUMP	

## Part Notes:

[1] - See link to updated part (jan. 2008)

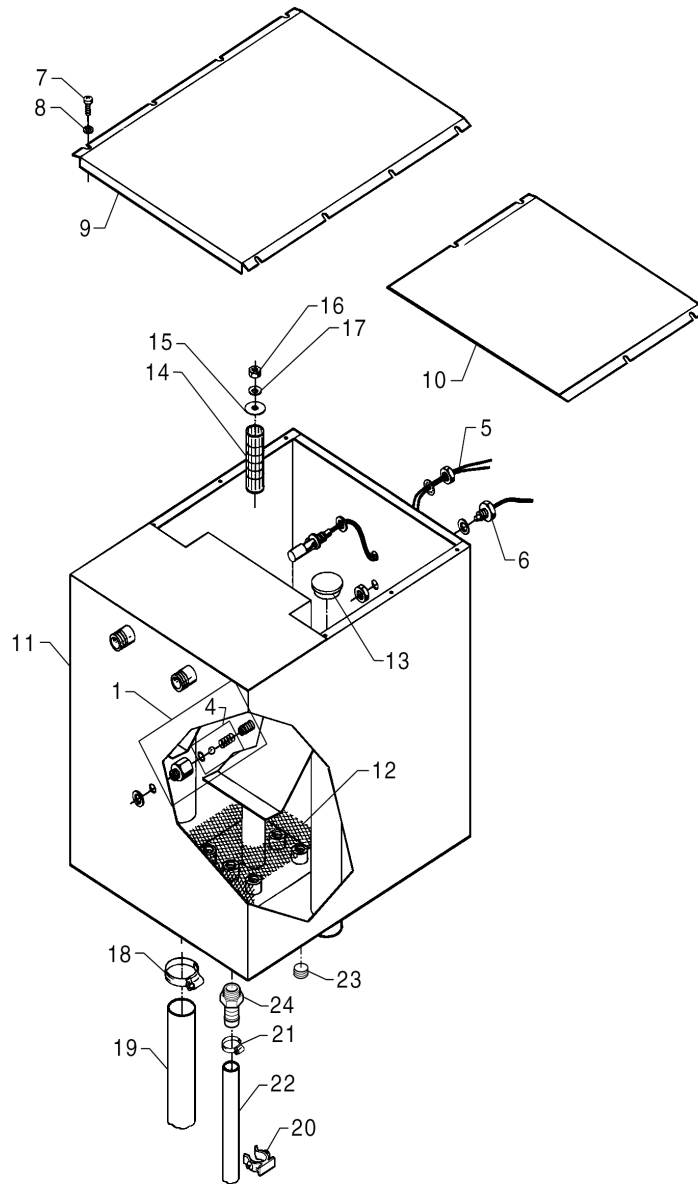




---

No.	Part No.	Qty.	Description	Part Note
0-	7302047	2	PRESSURE SWITCH COMPL.	
01	6300513	2	CONNECTIONPLUG	
04	1810001	4	SCREW M4X22	
05	1800564	2	SCREW M10X1	
07	3600384	2	BRACKET FOR SWITCH	
09	3802170	2	CONTACT KISLING ESW 100-1	
10	3600335	2	LOCK NUT	
14	3600392	2	PRESSURE CONE	
15	2600377	2	SPRING FOR PRESSURE SWITCH	
16	6300329	4	THRUST PLATE	
17	3600350	2	REGULATING SCREW	
21	7302047	2	PRESSURE SWITCH COMPL.	
24	1119034	1	PRESSURE SWITCH REP.KIT	

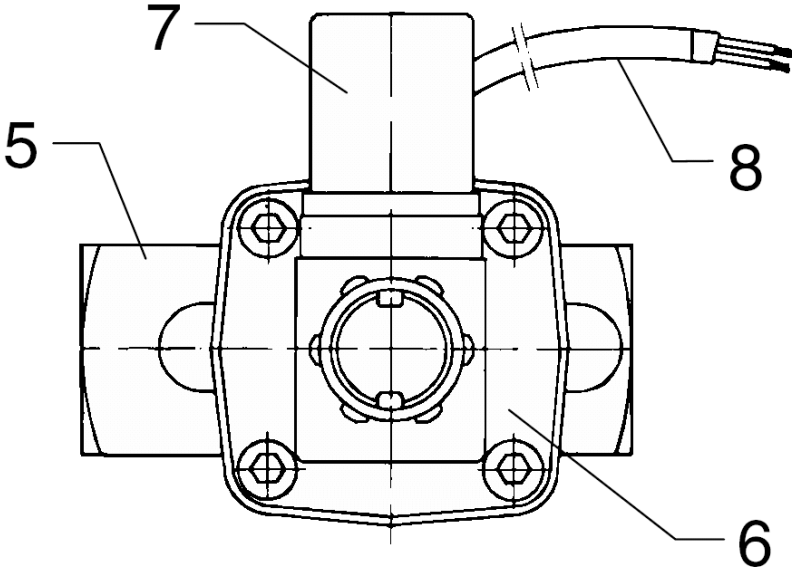
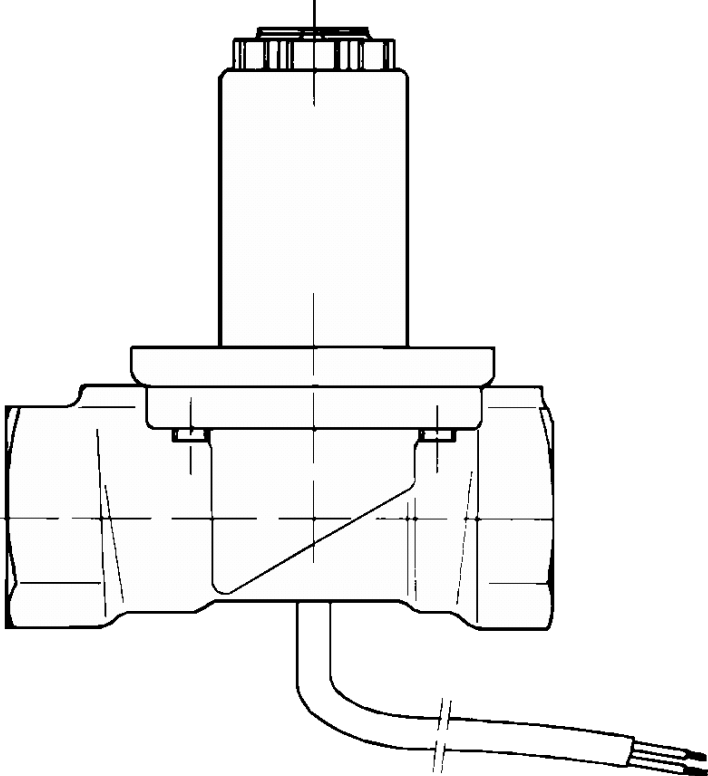
---



No.	Part No.	Qty.	Description	Part Note
0-	5208533	1	SILASTIC 732 RTV TRANSPARENT	
1	6300152	1	RELIEF VALVE COMPL.	
4	1119029	1	RELIEF VALVE REP.KIT	
5	3817582	3	LEVEL SENSOR LS103-12	
6	6420251	1	SENSOR F.TEMP.REGUL.&OVERHEAT.	
7	101814797	8	SCREW M5X12 A2 DIN85	
8	1807999	8	WASHER M5 5.3X10X1	
9	7305032	1	COVER FOR WATERTANK. COMPLETE.	[1]
10	7305034	1	COVER FOR WATERTANK SPAREPART	[2]
11	7305010	1	WATER TANK	
12	7305013	1	STAINER FOR WATER TANK	
13	4601154	1	PLUG K33	[3]
14	7305031	1	FILTER FOR RETURN PIPE	
15	7305030	1	WASHER FOR RETURN PIPE	
16	1801893	1	NUT M6 ISO 4032 A2-70	
17	2772	1	LOCK WASHER 6	
18	1810225	1	HOSE CLIP D19-44 SS	
19	5226022	1	BLACK RUBBER HOSE	[4]
20	7306027	2	HOSE CLIP 25MM IPC 23P NB3P BLACK	[5]
21	1810191	2	HOSE CLIP 13-27 A4 SS	
22	106408242	1	HOSE 5/8INCH - 2 METERS	[6]
23	1603325	4	PLUG 1/2 INCH	
24	6300262	2	HOSE UNION	

## Part Notes:

- [1] - UP TO 01.09.98  
GUARANTEE DATE EXPIRED
- [2] - FROM 01.09.98
- [3] - To seal - Use Silastic 5208533
- [4] - See NOTE - L=1100
- [5] - NO REPLACEMENT
- [6] - L=690

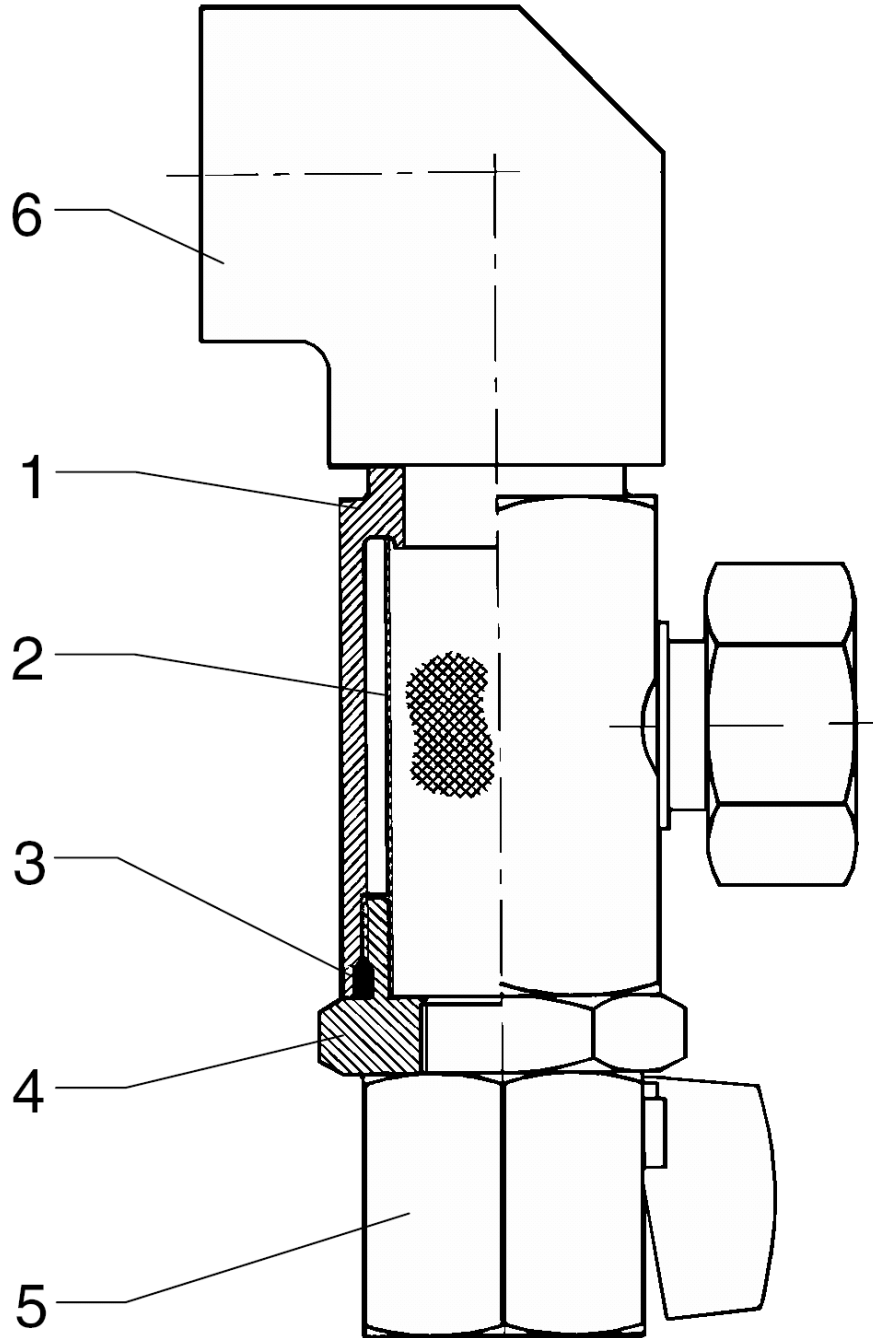


---

No.	Part No.	Qty.	Description	Part Note
00	3403177	1	SOLENIOD VALVE EVSI-20 24/50HZ	[1]
00	3403169	1	SOLENIOD VALVE EVSI-18 24V/50H	[2]
05	3401726	1	VALVE WITHOUT COIL EVSI 18	[3]
05	3401727	1	VALVE WITHOUT COIL EVSI 20	[4]
06	3808151	1	COIL 24V 50HZ	
07	3808144	1	AMP.SOCKET F. SOLENOID VALVE	
08	6302296	1	MOTOR EARTH CABLE	[5]

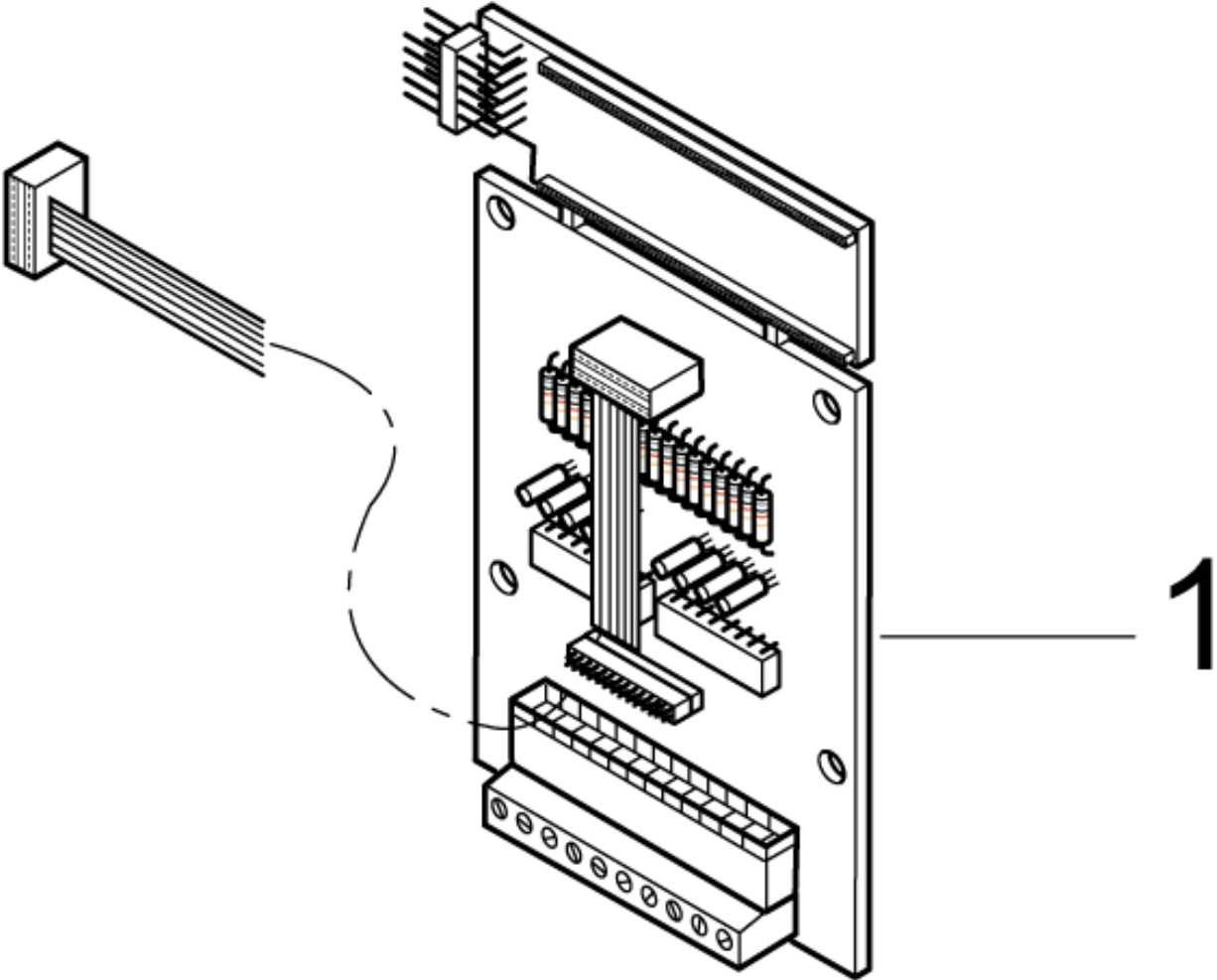
## Part Notes:

- [1] - EVSI-20, 24V - 50 HZ / 60 HZ - Hot
- [2] - EVSI-18, 24V - 50HZ / 60 HZ- Cold
- [3] - WITHOUT COIL, EVSI-18
- [4] - WITHOUT COIL, EVSI-20
- [5] - 2X0,75



---

No.	Part No.	Qty.	Description	Part Note
01	6304295	1	SCREEN HOUSING COMPL. SS	
02	6301270	1	FILTRE	
03	3001096	1	O-RING 32.5X3.0 SMS 1586 NBR70	
04	6301354	1	PLUG FOR FILTER HOUSING	
05	6300165	1	DRAIN COCK	
06	1608298	1	ELBOW 1 INCH THREAD	





# Interface for alarm

DELTA BOOSTER / SC DELTA

2017.11.02

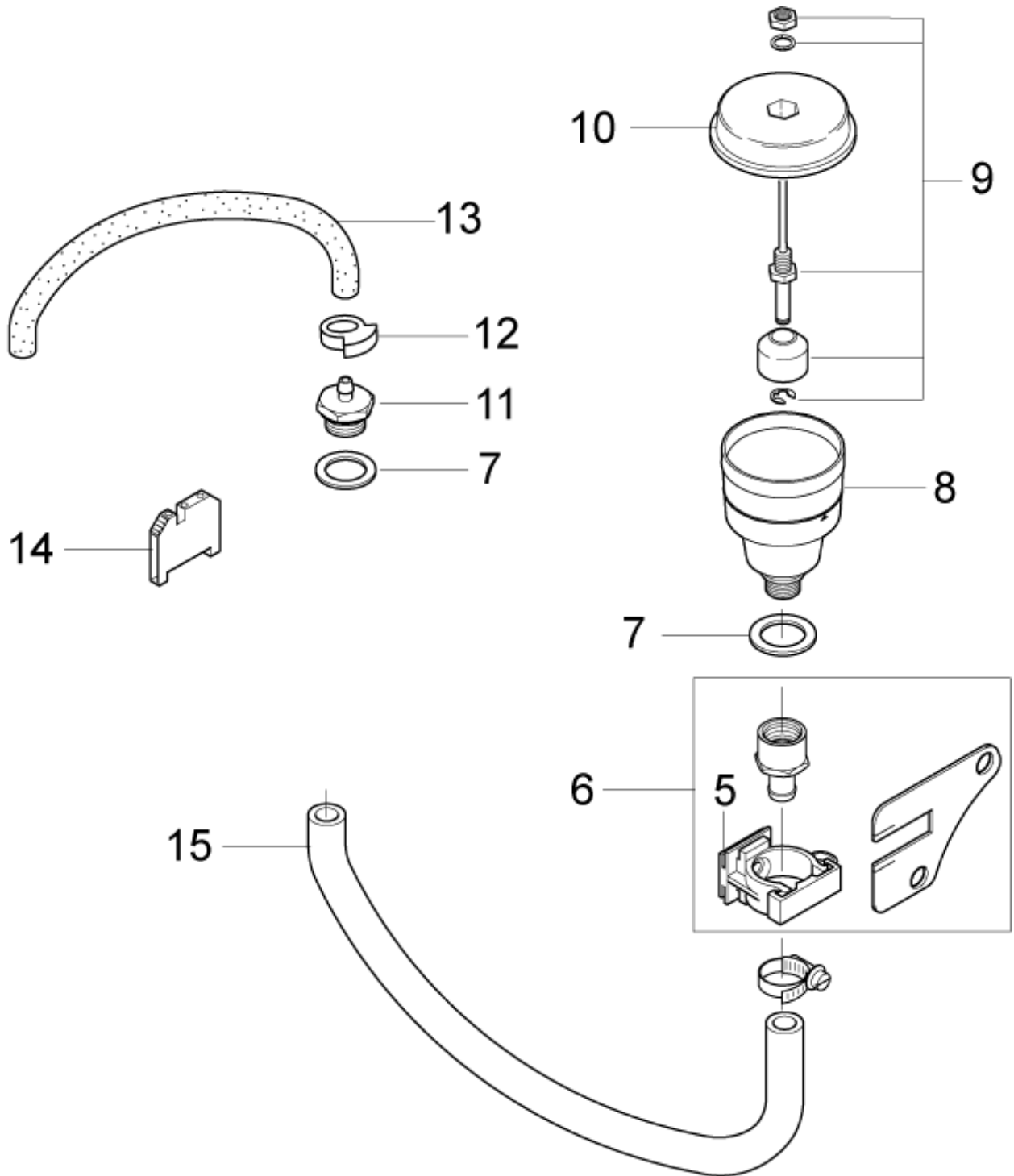
2013.04.02

---

No.	Part No.	Qty.	Description	Part Note
01	6420023	1	INTERFACE FOR ALARM MPS	[1]

**Part Notes:**

[1] - STOCK COVERS GUARANTEE



No.	Part No.	Qty.	Description	Part Note
0-	107370960	1	LOW OIL SAFETY CUT-OUT	
5	104601175	1	BRACKET FOR PIPE 25MM	
6	107307051	1	REP.KIT FOR OIL SAFETY CUT OUT	
7	1807932	2	SELF-SEALING WASHER	
8	301000614	1	PUMP OIL CONTAINER Ø66.8X84	
9	301001196	1	FLOAT SWITCH LS01 W/PUR WIRE 10VA	
10	301000615	1	COVER Ø70X15.5	
11	107120313	1	SOCKET FOR OILHOSE	
12	1814029	2	HOSE CLIP	[1]
13	106408241	1	HOSE PVC 1/4INCH TRANSPARENT - 2 METERS	
14	3807518	1	WIRE TERMINAL	
15	5206065	1	AIR PRESSURE HOSE 1/2	

Part Notes:

[1] - GUARANTEE DATE EXPIRED



No.	Part No.	Qty.	Description	Part Note
0A	3819745	1	FUSE 25X20	[1]
0A	6221773	1	REED SWITCH WITH O-RING	[1]
0A	1119404	1	OVERFLOW SWITCH REP.KIT	[1]
0A	7305031	1	FILTER FOR RETURN PIPE	[1]
0A	1119571	1	GASKETS REDUCED REP.KIT	[1]
0A	1119031	1	BY-PASS VALVE REP.KIT	[1]
0A	3819521	1	FUSE Ø5X25	[2]
0A	1119820	1	OIL SEAL 03/C3 REP.KIT	[1]
0A	1119195	1	REP.KIT F. VALVE SYSTEM	[1]
0A	1118512	1	SAFETY VALVE REP.KIT	[1]
0A	1119570	1	GASKETS C3 REP.KIT	[1]
0A	6301270	1	FILTRE	[1]
0A	3819539	1	FUSE 5X25 1.0 A MEDIUM-TIME-LAG M	[1]
0B	1119831	1	REP. KIT. NON-RETURN VALV	[3]
0B	6300080	1	VALVE CPL. SUCTION	[3]
0B	1803048	1	VIBRATION DAMPER	[3]
0C	7300072	1	C3 MOTOR 160BAR 5.5KW 230/400V 60HZ	[4]
0C	3200615	1	AXIAL ROLLER BEARING	[4]
0C	103822317	1	CONTACTOR CJX2-D32 32A 24V 3P+NO	[4]
0C	103822306	1	CONTACTOR CJX2-D18 18A 24V 3P+NO	[4]
0C	107120708	1	WOBBLE DISC 4	[4]
0C	3817582	1	LEVEL SENSOR LS103-12	[4]
0C	107307206	1	AUXILIARY CONTACT	[4]
0C	107120704	1	BEARING TRACK	[4]
0C	1404805	1	1 INCH INLET HOSE	[4]
0C	1405574	1	HIGH PRESSURE HOSE COMPL.	[4]
0C	107120716	1	WOBBLE DISC 12	[4]
0C	3200664	1	NEEDLE BEARING	[4]
0C	101119850	1	KIT THRUSTRING + BACK-UP RING	[4]
0C	107140615	1	FRONT BEARING COVER COMPLETE	[4]
0C	6301166	1	CERAMIC PISTON C3	[4]
0C	3403177	1	SOLENIOD VALVE EVSI-20 24/50HZ	[4]
0C	3817665	1	TRANSFORMER 200-220V 50/60HZ	[5]
0C	3817319	1	OVERLOAD CUT-OUT KTA 3-25-16	[4]
0C	103821903	1	OVERCURRENT RELAY 18-25A	[4]
0C	3808151	1	COIL 24V 50HZ	[4]
0C	1802511	1	CIRCLIP 28X1.5 DIN471A	[4]
0C	107120701	1	CYLINDER HEAD	[4]
0C	301001196	1	FLOAT SWITCH LS01 W/PUR WIRE 10VA	[4]
0C	6100602	1	RETAINING RING	[4]
0C	6420251	1	SENSOR F.TEMP.REGUL.&OVERHEAT.	[4]
0C	103822313	1	CONTACTOR CJX2-D25 25A 24V 3P+NO/US	[4]
0C	3817640	1	TRANSFORMER 427-440V 50/60HZ	[4]
0C	3817673	1	TRANSFORMER 346-400V 50/60HZ	[4]
0C	7300071	1	C3 MOTOR 160BAR 5.5KW 400/690V 50HZ	[4]
0C	3817343	1	AUXILIARY SWI. KT 3-25-PE-1-10	[4]
0C	107120714	1	WOBBLE DISC 10	[4]
0C	7306029	1	ELECTRONIC CONTROL	[4]
0C	107300073	1	C3 MOTOR 100BAR 5.5KW 230/400V 50HZ	[4]
0C	7302047	1	PRESSURE SWITCH COMPL.	[4]
0C	3403169	1	SOLENIOD VALVE EVSI-18 24V/50H	[4]
0C	3200656	1	NEEDLE BEARING INA K 40X46X17	[4]
0C	6101750	1	FRONT BEARING COVER COMP.	[4]
0C	103821898	1	OVERCURRENT RELAY 10-16A	[4]
0C	7300070	1	C3 MOTOR 160BAR 5.5KW 230/400V 50HZ	[4]
0C	1119034	1	PRESSURE SWITCH REP.KIT	[4]

Part Notes:

- [1] - A
- [2] - A  
CLOSED WHEN STOCK EMPTY
- [3] - B
- [4] - C
- [5] - C  
NO LONGER AVAILABLE

